

COP8™

COP8 Basic Family User's Manual

**Literature Number 620895-001
May 1995**

REVISION RECORD

REVISION	RELEASE DATE	SUMMARY OF CHANGE
A	04/87	First Release. COPS™ COP820C/COP840C User's Manual NSC Publication Number 420410703-001.
B	10/88	Modified the program store memory section, corrected the hex and binary information for the load B pointer and the return from subroutine, and modified the description of subtract with carry. Incorporated new documentation standards where applicable.
B1	03/89	Name change. MOLE changed to microcontroller development system within text.
C	05/92	Reformatted and updated entire manual.
D	02/95	Updated Appendices A and B.
-001	05/95	Modified to incorporate information on the COP912C/912CH and the COP840CJ/842CJ/940CJ/942CH micorcontrollers.

PREFACE

The COP8 family of 8-bit microcontrollers is ideally suited to embedded control applications such as keyboard interfaces, electronic cordless telephones, home applications, and ABS systems. The design of this family takes advantage of National Semiconductor's M²CMOS™ manufacturing technology, providing a useful combination of high performance, low power consumption, and reasonable cost. The rich instruction set and flexible addressing modes of the COP8 controllers contribute to their high performance and code efficiency.

This manual describes the features, architecture, instruction set, and usage of the COP8 microcontrollers. The first eight chapters describe the general features found in all family members. Later chapters describe the individual family members and their specific features. The following specific devices are covered:

- COP912/820/840/880
- COP8620/8640
- COP820C/840CJ

Chapter 1, OVERVIEW, provides a general overview of COP8 family with specific feature comparisons.

Chapter 2, ARCHITECTURE, describes the overall architecture of the COP8 microcontroller, including the CPU core, registers, memory organization, reset operation, and clock options.

Chapter 3, INTERRUPTS, describes the device interrupts.

Chapter 4, TIMER, describes the on-chip timer and its various operating modes.

Chapter 5, MICROWIRE/PLUS, describes the microcontroller's MICROWIRE/PLUS serial interface and its operating modes.

Chapter 6, POWER SAVE MODE, describes an operating mode in which the microcontroller is halted, reducing power consumption almost to zero while maintaining the processor status and all register contents.

Chapter 7, INPUT/OUTPUT, describes the input/output ports of the microcontroller and how they are used.

Chapter 8, INSTRUCTION SET, describes the instruction set of the COP8 microcontrollers, including detailed descriptions of each instruction.

Chapters 9, 10, and 11 describe the specific features of the COP912/COP820/840/880, COP8620/8640, and COP820CJ/COP840CJ respectively.

COPS, MICROWIRE/PLUS and MICROWIRE are trademarks of National Semiconductor Corporation.
TRI-STATE is a registered trademark of National Semiconductor Corporation.

Chapter 12, APPLICATION HINTS, contains COP8 application information.

Appendix A covers device electrical characterization data.

Additional information on individual COP8 family members is available from their respective data sheets.

The information contained in this manual is for reference only and is subject to change without notice.

No part of this document may be reproduced in any form or by any means without the prior written consent of National Semiconductor Corporation.

Chapter 1 OVERVIEW

1.1	INTRODUCTION	1-1
1.2	BASIC FEATURES	1-1
1.3	DEVICE SPECIFIC FEATURES.....	1-2

Chapter 2 ARCHITECTURE

2.1	INTRODUCTION	2-1
2.2	BLOCK DIAGRAM.....	2-1
2.3	MEMORY ORGANIZATION	2-2
	2.3.1 Program Memory	2-3
	2.3.2 Data Memory	2-3
	2.3.3 Memory Mapped I/O Registers	2-4
2.4	CORE REGISTERS	2-6
	2.4.1 Accumulator	2-6
	2.4.2 Program Counter	2-6
	2.4.3 Control Registers	2-7
	2.4.4 Data Registers	2-8
	2.4.5 MICROWIRE/PLUS Register	2-9
	2.4.6 Timer Registers	2-9
2.5	CPU OPERATION	2-9
	2.5.1 Memory Fetches	2-11
	2.5.2 Instruction Decoding and Execution	2-12
	2.5.3 Interrupt and Error Handling	2-16
2.6	RESET.....	2-17
2.7	CLOCK OPTIONS	2-18
	2.7.1 Crystal Oscillator	2-18
	2.7.2 RC Oscillator	2-18
	2.7.3 RC Oscillator for the COP840CJ Only	2-19
	2.7.4 External Oscillator	2-19

Chapter 3 INTERRUPTS

3.1	INTRODUCTION	3-1
3.2	INTERRUPT PROCESSING	3-1
3.3	MASKABLE INTERRUPTS.....	3-2
	3.3.1 Timer 1 Interrupt	3-3
	3.3.2 External Interrupt	3-3
3.4	SOFTWARE TRAP	3-4

Chapter 4 TIMER

4.1	INTRODUCTION	4-1
4.2	TIMER/COUNTER BLOCK.....	4-1
4.3	TIMER CONTROL BITS	4-1
4.4	TIMER OPERATING MODES	4-3
	4.4.1 PWM Mode	4-3
	4.4.2 External Event Counter Mode	4-4

4.4.3	Input Capture Mode	4-5
Chapter 5	MICROWIRE/PLUS	
5.1	INTRODUCTION	5-1
5.2	THEORY OF OPERATION	5-1
5.2.1	Timing	5-3
5.2.2	Port G Configuration	5-3
5.2.3	SK Clock Operation	5-3
5.2.4	Busy Flag	5-4
5.3	MASTER MODE OPERATION EXAMPLE	5-5
5.4	SLAVE MODE OPERATION EXAMPLE	5-6
Chapter 6	POWER SAVE MODE	
6.1	INTRODUCTION	6-1
6.2	CLOCK-STOPPING METHOD	6-1
6.3	PORT G METHOD	6-2
Chapter 7	INPUT/OUTPUT	
7.1	INTRODUCTION	7-1
7.2	PORT C	7-2
7.3	PORT D	7-2
7.4	PORT G	7-2
7.5	PORT I	7-3
7.6	PORT L	7-3
7.7	ALTERNATE PORT FUNCTIONS	7-3
Chapter 8	INSTRUCTION SET	
8.1	INTRODUCTION	8-1
8.2	FEATURES	8-1
8.3	ADDRESSING MODES	8-1
8.3.1	Operand Addressing Modes	8-2
8.3.2	Transfer-of-Control Addressing Modes	8-4
8.4	INSTRUCTION TYPES	8-6
8.5	INSTRUCTION DESCRIPTIONS	8-9
8.5.1	ADC— Add with Carry	8-11
8.5.2	ADD — Add	8-12
8.5.3	AND — And	8-13
8.5.4	CLR — Clear Accumulator	8-14
8.5.5	DCOR — Decimal Correct	8-15
8.5.6	DEC — Decrement Accumulator	8-16
8.5.7	DRSZ REG# — Decrement Register and Skip if Result is Zero	8-17
8.5.8	IFBIT — Test Memory Bit	8-18
8.5.9	IFBNE # — If B Pointer Not Equal	8-19
8.5.10	IFC — Test if Carry	8-20
8.5.11	IFEQ — Test if Equal	8-21
8.5.12	IFGT — Test if Greater Than	8-22
8.5.13	IFNC — Test if No Carry	8-23
8.5.14	INC — Increment Accumulator	8-24

8.5.15	INTR — Interrupt (Software Trap)	8-25
8.5.16	JID — Jump Indirect	8-27
8.5.17	JMP — Jump Absolute	8-28
8.5.18	JMPL — Jump Absolute Long	8-29
8.5.19	JP — Jump Relative	8-30
8.5.20	JSR — Jump Subroutine	8-31
8.5.21	JSRL — Jump Subroutine Long	8-32
8.5.22	LAID — Load Accumulator Indirect	8-33
8.5.23	LD — Load Accumulator	8-34
8.5.24	LD — Load B Pointer	8-36
8.5.25	LD — Load Memory	8-37
8.5.26	LD — Load Register	8-38
8.5.27	NOP — No Operation	8-39
8.5.28	OR — Or	8-40
8.5.29	RBIT — Reset Memory Bit	8-41
8.5.30	RC — Reset Carry	8-42
8.5.31	RET — Return from Subroutine	8-43
8.5.32	RETI — Return from Interrupt	8-44
8.5.33	RETSK — Return and Skip	8-45
8.5.34	RRC — Rotate Accumulator Right Through Carry	8-46
8.5.35	SBIT — Set Memory Bit	8-47
8.5.36	SC — Set Carry	8-48
8.5.37	SUBC — Subtract with Carry	8-49
8.5.38	SWAP — Swap Nibbles of Accumulator	8-50
8.5.39	X — Exchange Memory with Accumulator	8-51
8.5.40	XOR — Exclusive Or	8-53
8.6	INSTRUCTION SET SUMMARY TABLES	8-54
8.6.1	Instruction Operations Summary	8-54
8.6.2	Bytes and Cycles Per Instruction	8-55

Chapter 9 COP912C/COP820C/COP840C/COP880C

9.1	INTRODUCTION	9-1
9.2	BLOCK DIAGRAM	9-1
9.3	DEVICE PINOUT/PACKAGES	9-3
9.4	PIN DESCRIPTIONS	9-4
9.5	INPUT/OUTPUT PORTS	9-4
9.6	PROGRAM MEMORY	9-6
9.7	DATA MEMORY	9-6
9.8	REGISTER BIT MAPS	9-6
9.9	MEMORY MAP	9-7
9.10	RESET	9-9
9.11	MASK OPTION(S)	9-9
9.11.1	COP912	9-9
9.11.2	COP820C/COP840C	9-10
9.11.3	COP880	9-10

Chapter 10 COP8620C/COP8640C

10.1	INTRODUCTION	10-1
10.2	BLOCK DIAGRAM	10-1

10.3	DEVICE PINOUT/PACKAGES	10-1
10.4	PIN DESCRIPTIONS	10-1
10.5	INPUT/OUTPUT PORTS	10-3
10.6	PROGRAM MEMORY	10-4
10.7	DATA MEMORY	10-4
10.8	EECR AND EE SUPPORT CIRCUITRY	10-5
10.9	REGISTER BIT MAPS	10-6
10.10	MEMORY MAP	10-7
10.11	RESET	10-9
10.12	MASK OPTION(S)	10-9

Chapter 11 COP820CJ/COP840CJ

11.1	INTRODUCTION	11-1
11.2	BLOCK DIAGRAM	11-2
11.3	DEVICE PINOUT/PACKAGES	11-2
11.4	PIN DESCRIPTIONS	11-4
11.5	INPUT/OUTPUT PORTS	11-5
11.6	PROGRAM MEMORY	11-6
11.7	DATA MEMORY	11-6
11.8	REGISTER BIT MAPS	11-6
11.9	MEMORY MAP	11-9
11.10	RESET	11-9
	11.10.1 Reset Initialization	11-9
	11.10.2 Reset Timing Considerations	11-12
	11.10.3 Power-On Reset Circuit	11-12
	11.10.4 WATCHDOG Reset	11-12
	11.10.5 Brown Out Reset	11-12
	11.10.6 External Reset	11-13
	11.10.7 Reset Initialization Routine	11-13
11.11	BROWN OUT PROTECTION	11-13
11.12	WATCHDOG	11-14
11.13	MODULATOR/TIMER	11-17
11.14	COMPARATOR	11-21
11.15	MULTI-INPUT WAKEUP	11-22
11.16	MASK OPTIONS	11-25

Chapter 12 APPLICATION HINTS

12.1	INTRODUCTION	12-1
12.2	MICROWIRE/PLUS INTERFACE	12-1
	12.2.1 MICROWIRE/PLUS Master/Slave Protocol	12-1
	12.2.2 MICROWIRE/PLUS Continuous Mode	12-3
	12.2.3 MICROWIRE/PLUS Fast Burst Output	12-4
	12.2.4 NMC93C06-COP820C Interface	12-6
12.3	TIMER APPLICATIONS	12-10
	12.3.1 Timer Capture Example	12-10
	12.3.2 Timer PWM Example	12-11
	12.3.3 External Event Counter Example	12-13
12.4	TRIAC CONTROL	12-14
12.5	COP820CJ/COP840CJ APPLICATION HINTS	12-18

12.5.1	Analog To Digital Conversion Using On-chip Comparator .	12-18
12.5.2	Application Example: Battery-Powered Weight Measurement	12-21
12.5.3	Zero Cross Detection	12-21
12.5.4	Application Example: Industrial Timer	12-23
12.5.5	LED Drive Using the COP820CJ	12-23
12.5.6	Application Example: Temperature Control	12-29
12.5.7	Phase Control of an AC Load	12-29
12.5.8	Application Example: Remote Control Unit	12-33
12.6	PROGRAMMING EXAMPLES	12-33
12.6.1	Clear RAM	12-33
12.6.2	Binary/BCD Arithmetic Operations	12-34
12.6.3	Binary Multiplication	12-37
12.6.4	Binary Division	12-38
12.7	DAIL-A-HELPER	12-40
12.8	EXTERNAL POWER WAKEUP CIRCUIT	12-41
12.9	EXTERNAL WATCHDOG CIRCUIT	12-41
12.10	INPUT PROTECTION ON COP8 PINS	12-44
12.11	ELECTROMAGNETIC INTERFERENCE (EMI) CONSIDERATIONS	12-47
12.11.1	Introduction	12-47
12.11.2	Emission Predictions	12-48
12.11.3	Board Layout	12-49
12.11.4	Decoupling	12-49
12.11.5	Output Series Resistance	12-50
12.11.6	Oscillator Control	12-51
12.11.7	Mechanical Shielding	12-51
12.11.8	Conclusion	12-51

Appendix A ELECTRICAL CHARACTERIZATION DATA

Index

Figures

Figure 2-1	COP8 Basic Family Block Diagram	2-2
Figure 2-2	COP8 CPU Interface	2-10
Figure 2-3	Crystal Oscillator Circuit	2-18
Figure 2-4	RC Oscillator Circuit	2-18
Figure 2-5	RC Oscillator Circuit for COP840CJ Only	2-19
Figure 2-6	External Oscillator Circuit	2-19
Figure 3-1	Interrupt Block Diagram	3-1
Figure 4-1	Timer in PWM Mode	4-3
Figure 4-2	Timer in External Event Counter Mode	4-5
Figure 4-3	Timer in Input Capture Mode	4-6
Figure 5-1	MICROWIRE/PLUS Example	5-2
Figure 5-2	MICROWIRE/PLUS Circuit Block Diagram	5-2
Figure 5-3	MICROWIRE/PLUS Interface Timing	5-3
Figure 7-1	COP8 Basic Family Port Structure	7-1
Figure 9-1	COP912/820/840/880 Block Diagram	9-2
Figure 9-2	Device Package Pinouts	9-3
Figure 10-1	COP8620/8640 Block Diagram	10-2
Figure 10-2	Device Package Pinouts	10-2
Figure 11-1	COP820CJ/840CJ Block Diagram	11-2
Figure 11-2	Device Package Pinouts	11-3
Figure 11-3	WATCHDOG Timer Block Diagram	11-15
Figure 11-4	Modulator Block Diagram/Output Waveform	11-18
Figure 11-5	Mode 2: 50% Duty Cycle Output	11-19
Figure 11-6	Mode 3: Variable Duty Cycle Output	11-20
Figure 11-7	Multi-Input Wakeup Logic	11-23
Figure 11-8	Battery-Powered Remote Control Unit	11-24
Figure 12-1	MICROWIRE/PLUS Sample Protocol Timing	12-2
Figure 12-2	MICROWIRE/PLUS Fast Burt Timing	12-5
Figure 12-3	NMC93C06-COP820C Interface	12-6
Figure 12-4	Timer Capture Application	12-10
Figure 12-5	PWM Timer Application	12-12
Figure 12-6	A/D Conversion Using COP820CJ Comparator and Timer T1	12-18
Figure 12-7	Battery-powered Weight Measurement Using COP820CJ	12-22
Figure 12-8	Industrial Timer Application Using The COP823CJ	12-24
Figure 12-9	3-way Multiplexed Led Display With COP820CJ	12-25
Figure 12-10	Temperature Controlled Appliance Using COP820CJ	12-30
Figure 12-11	AC Phase Control Application Using COP820CJ	12-32
Figure 12-12	Power Wakeup Using An NPN Transistor	12-42
Figure 12-13	Power Wakeup Using Diodes And Resistors	12-43
Figure 12-14	External Watchdog Circuit A	12-44
Figure 12-15	External Watchdog Circuit B	12-44
Figure 12-16	Ports L/C/G Input Protection (Except G6)	12-45
Figure 12-17	Port I Input Protection	12-45
Figure 12-18	Diode Equivalent of Input Protection	12-46
Figure 12-19	External Protection of Inputs	12-47

Tables

Table 1-1	Features List	1-3
Table 2-1	Data Memory Map	2-5
Table 2-2	I/O Port Configuration	2-6
Table 2-3	PSW Register Bits	2-7
Table 2-4	CNTRL Register Bits	2-7
Table 2-5	R/C Oscillator Configuration (Part- To- Part Variation)	2-19
Table 4-1	Timer Control Bits	4-2
Table 4-2	Timer Mode Control Bits	4-2
Table 5-1	Port G Configuration Register Bits	5-4
Table 5-2	Master Mode Clock Select Bits	5-4
Table 8-1	Instructions Using A and C	8-55
Table 8-2	Transfer of Control Instructions	8-55
Table 8-3	Memory Transfer Instructions	8-56
Table 8-4	Arithmetic and Logic Instruction	8-56
Table 8-5	Opcodes	8-57
Table 9-1	COP912/820/840/880 Pin Assignments	9-5
Table 9-2	PSW Register Bits	9-7
Table 9-3	CNTRL Register Bits	9-7
Table 9-4	COP912/820/840/880 Memory Map	9-8
Table 10-1	COP8620/8640 Pin Assignments	10-3
Table 10-2	PSW Register Bits	10-6
Table 10-3	CNTRL Register Bits	10-7
Table 10-4	COP8620/8640 Memory Map	10-8
Table 11-1	COP820CJ/840CJ Pin Assignments	11-4
Table 11-2	WKEDG Register Bits (Address 00C8 Hex)	11-7
Table 11-3	WKEN Register Bits (Address 00C9 Hex)	11-7
Table 11-4	WKPND Register Bits (Address 00CA Hex)	11-8
Table 11-5	WDREG Register Bits (Address 00CD Hex)	11-8
Table 11-6	PSW Register Bits (Address 00EF Hex)	11-8
Table 11-7	CNTRL1 Register Bits (Address 00EE Hex)	11-9
Table 11-8	CNTRL2 Register Bits (Address 00CC Hex)	11-9
Table 11-9	COP820CJ/840CJ Memory Map	11-10
Table 11-10	Reset Initialization	11-11
Table 11-11	Effect of HALT, Reset and loading WDCNT on WATCHDOG Registers	11-16
Table 11-12	Modes of PWM timer	11-21
Table 12-1	Electric Field Calculation Results	12-48

1.1 INTRODUCTION

The COP8 Basic Family microcontrollers provide high-performance, low-cost solutions for embedded control applications. The 8-bit single-chip core architecture fabricated with National Semiconductor's M²CMOS™ technology has low current drain, low heat dissipation and a wide operating voltage range. An instruction execution time of one microsecond for the majority of single-byte instructions allows high throughput; over 70 percent of the instructions are single-byte. Multiple addressing modes and a rich instruction set further enhance throughput efficiency and reduce program size. Reconfigurable I/Os, and on-chip peripherals such as multi-mode general purpose timers and the MICROWIRE/PLUS™ serial interface of the COP8 Basic Family microcontroller offer the flexibility needed to construct single-chip solutions for a variety of applications.

All COP8 Basic Family microcontrollers share the set of features listed in Section 1.2. Some individual family members also contain additional features. These device specific features which include special timers, brown out protection, and multi-input wakeup are listed in Section 1.3.

1.2 BASIC FEATURES

Each member of the COP8 family of microcontrollers offers the following features:

- 8-bit core processor.
- CMOS technology which provides low power, fully static operation.
- HALTmode with very low standby power.
- Memory Mapped Architecture — all RAM, I/O Ports, and registers (except A and PC) are mapped into Data Memory Address space.
- Flexible, reconfigurable I/O.
- On-chip Data and Program Store memory.
- MICROWIRE/PLUS (3-Wire Serial Data Communications System) — allows the microcontroller to be programmed for either master or slave configuration.
- Extremely versatile 16-bit timer, with an associated 16-bit autoloading/capture register, which can operate in any of 3 different modes:

- PWM (Pulse Width Modulation).
- External Event Counter.
- Input Capture, with each capture resulting from an external edge input (programmable edge polarity).
- 16-bit timer and associated 16-bit autoloading/capture register memory mapped as two 8-bit registers.
- Two memory mapped Control Registers for Timer Mode Select and Control, MICROWIRE/PLUS Select and Control, Interrupt Enable and Control, and Carry and Half Carry flags.
- Three interrupts:
 - External Interrupt (maskable).
 - Timer Interrupt (maskable).
 - Software Trap Error Interrupt (non-maskable).
- Two 8-bit Register Indirect Data Memory Pointers
- 8-bit Stack Pointer (stack in Data Memory RAM)
- Port G. The bidirectional Port G has dual functions defined for most of the pins. The dual functions include HALT, MICROWIRE/PLUS interface, external interrupt input, timer I/O, and oscillator output.
- Three different clock modes:
 - Crystal Oscillator
 - R/C Oscillator
 - External Oscillator

1.3 DEVICE SPECIFIC FEATURES

In addition to the core features, non-core features are provided by specific COP8 devices. These features are:

- Data Memory EEPROM (COP8620/COP8640)
- Watchdog Timer (COP820CJ/COP840CJ)
- Brown-out Protection (COP820CJ/COP840CJ)
- Comparator (COP820CJ/COP840CJ)
- Modulator/Timer for High Speed PWM (COP820CJ/COP840CJ)
- Multi-input Wakeup from HALT mode (COP820CJ/COP840CJ)

Table 1-1 lists the available COP8 Basic Family device types and shows the features present in each device. The device types are listed along the left side, and the features are listed across the top. Inside the table, the word “YES” or a numerical quantity indicates the presence of a feature; a dash indicates the absence of a feature. Memory sizes are expressed in bytes.

Table 1-1 Features List

Device Type	Program Memory		Data Memory		Timers	MIWU	Comparator	Brown Out Detection
	ROM	EPROM or OTP	RAM	EEPROM				
COP912C	768	—	64	—	1	—	—	—
COP820	1K	—	64	—	1	—	—	—
COP840	2K	—	128	—	1	—	—	—
COP820CJ	1K	—	64	—	3	YES	YES	YES
COP840CJ	2K	—	128	—	3	YES	YES	YES
COP880	4K	—	128	—	1	—	—	—
COP8620	1K	—	64	64	1	—	—	—
COP8640	2K	—	64	64	1	—	—	—

2.1 INTRODUCTION

The COP8 Basic Family microcontroller contains all program and data memory internally. In addition, it contains on-chip configurable I/Os, an on-chip timer and a built-in MICROWIRE/PLUS interface. The presence of on-chip memory and peripherals allows the COP8 Basic Family microcontroller to provide a single-chip solution for many applications.

The COP8 Basic Family memory organization is based on the “Harvard” architecture, in which the program memory is distinct from the data memory. Each of these two types of memory has its own physical memory space, and uses its own internal address bus. The advantage of this type of organization is that accesses to program memory and data memory can take place concurrently, reducing overall execution time. By contrast, in the “Von Neumann” architecture, program memory and data memory share the same address bus, and concurrent accesses cannot occur.

Except for the Accumulator (A) and Program Counter (PC), all registers, I/O ports, and RAM are memory mapped in the data memory address space. Among these registers are the B Register, X Register, Stack Pointer (SP), and I/O port registers. All such registers can be accessed by reading or writing their memory addresses.

The COP8 Basic Family architecture provides one enhancement to the Harvard architecture: An instruction called Load Accumulator Indirect (LAID), which allows access to data tables stored in program memory. A conventional Harvard architecture does not allow this.

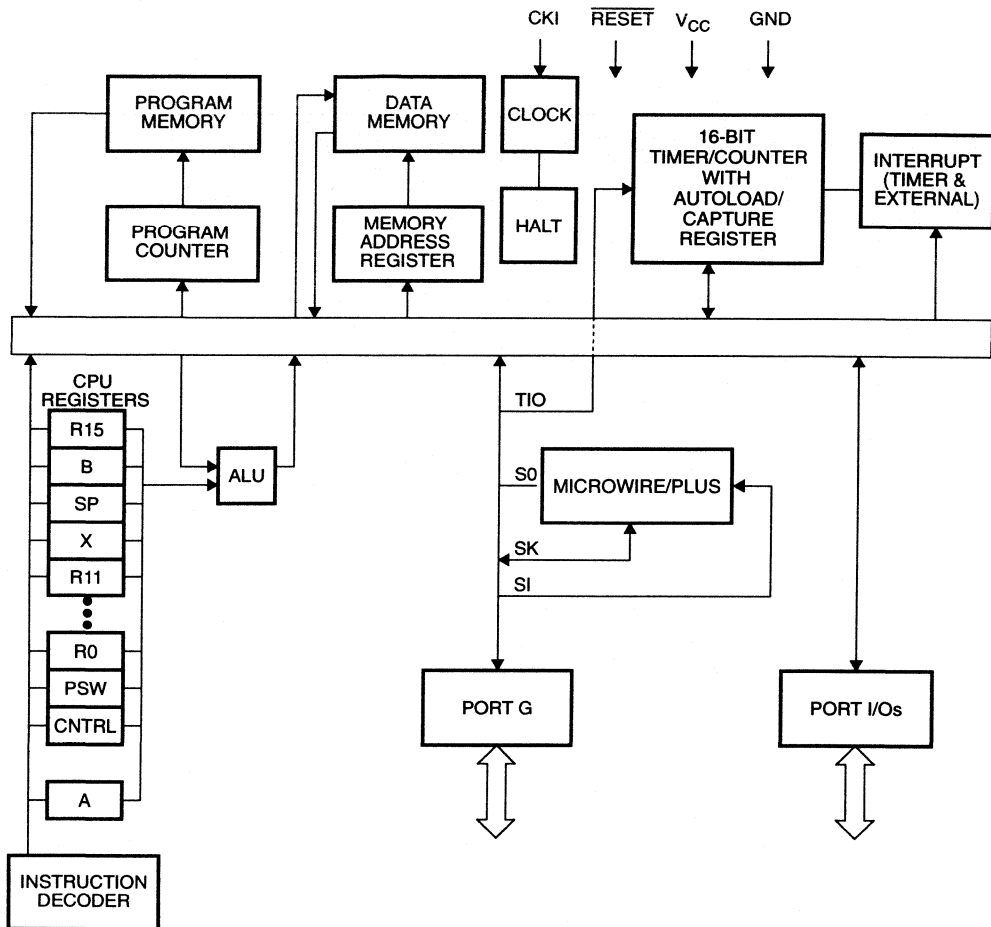
The COP8 Basic Family device communicates with other devices through several configurable I/O ports or through the MICROWIRE/PLUS serial I/O interface. The I/O ports are designated by letter names such as: Port C, Port D, Port G, Port I, and Port L.

A 16-bit general-purpose timer is provided, together with an associated 16-bit autoloading/capture register. The timer can be configured to operate in any of three modes: Pulse Width Modulation (PWM), external event counter, or input capture mode.

Three different interrupts are available in the device: the maskable external interrupt, the maskable timer interrupt, and the non-maskable software trap interrupt. All interrupts cause a branch to a specific address in program memory. The program code at that address determines the relative priority of the maskable interrupts.

2.2 BLOCK DIAGRAM

A block diagram of the COP8 Basic Family architecture is shown in Figure 2-1. All Basic Family devices contain the elements pictured in the block diagram. These elements include: the Arithmetic Logic Unit (ALU), Data Memory, Program Memory, Timer 1,



TSP-COP820-01

Figure 2-1 COP8 Basic Family Block Diagram

MICROWIRE/PLUS, Port I/Os, and Interrupt Logic. Functional blocks not common to all Basic Family members are not shown in Figure 2-1. Block diagrams of individual devices are shown in the device specific chapters of this manual.

2.3 MEMORY ORGANIZATION

The COP8 Basic Family microcontrollers are based on a modified Harvard-style architecture. This type of architecture separates the program memory from the data memory. Each memory type has its own addressing space, address bus, and data bus. The following sections describe the COP8 Basic Family memory structure.

2.3.1 Program Memory

The COP8 Basic Family program memory is a block of byte wide non-volatile ROM or EPROM memory, which may hold program instructions or constant data. The program memory addressing range is 32 Kbytes. A 15-bit Program Counter (PC) is used to address the program memory, which is subdivided into 4-Kbyte segments with respect to certain instructions.

The 4-Kbyte segment divisions within the program memory are related to the 2-byte Jump Absolute (JMP) and Jump Subroutine (JSR) instructions. These economical instructions cause the lower 12 bits of the PC to be replaced by the value specified in the instruction while the upper 3-bits remain unchanged. Thus, these instructions branch only within the currently addressed 4-Kbyte program memory segment.

The indirect instructions, Jump Indirect (JID) and Load Accumulator Indirect (LAID), operate only within a program memory block of 256 bytes. This restriction exists because only the lower 8 bits of the PC (PCL) are replaced during program memory table lookups. The upper 7 bits of the PC (PCU) remain unchanged. Replacing only the PCL minimizes the execution time of this instruction. Programmers must ensure that LAID and JID instructions, and their associated tables do not cross the 256 byte program memory boundaries.

The very economical Jump Relative Short (JP) instruction is completely independent of all program memory block and memory segment boundaries. This single-byte JP instruction allows a branch forward of up to 32 locations or backwards of up to 31 locations relative to the current contents of the program counter. A branch forward of 1 is not allowed, since this may be implemented with a NOP.

2.3.2 Data Memory

The COP8 Basic Family data memory consists of several blocks of byte-wide RAM and/or EEPROM memory. The data memory addressing range is potentially 32 Kbytes. Devices that contain more than 128 bytes of RAM use a data segment extension register to increase the data addressing range beyond the first 128 bytes. This is necessary because the memory address register (MAR) used to access all data memory locations is only 8 bits wide.

The COP8 Basic Family data memory base segment may be viewed as two separate sections: a lower address range of 0000 to 006F Hex and an upper address range of 0080 to 00FF Hex. The lower base segment contains the program stack and general-purpose data memory. The upper address range contains data registers, and the memory-mapped I/O registers, control registers, timers with associated capture registers, MICROWIRE/PLUS shift register, etc.

The data memory is either addressed directly by instructions or indirectly by the B, X and SP pointers. The COP8 Basic Family instruction set permits any bit in data memory to be set, reset or tested. All I/O, registers, pointers, and counters in the COP8 family (except for A and PC) are memory mapped in data memory. Therefore, all I/O bits and register bits can be individually set, reset, and tested.

Sixteen bytes of RAM are memory mapped as “registers” at addresses 00F0 to 00FF Hex. Certain instructions work only with this register memory, while others are more efficient when used with this register memory rather than other memory. The three pointer

registers X, SP and B, are memory mapped into the register memory space at address locations 00FC to 00FE Hex, respectively. In COP8 Basic Family devices with more than 128 bytes of RAM, the data segment extension register is memory mapped at location 00FF Hex. See Section 2.4.4 for more information on the COP8 Basic Family data registers.

The first sixteen locations of data store memory (0000 to 000F Hex) have special significance for the load B with immediate data instruction. This instruction is extremely efficient for loading the B pointer with addresses in this range because it is a single-byte, single-cycle instruction. Loading B with addresses and/or values greater than 000F Hex requires a two-byte, three-cycle instruction.

All RAM, EEPROM, I/O ports, counter, and registers (except A and PC) are mapped into the data memory address space. Table 2-1 shows a basic memory map for all COP8 Basic Family devices. Refer to the device specific chapters for complete memory maps of individual devices.

2.3.3 Memory Mapped I/O Registers

The COP8 Basic Family devices have three different types of ports: reconfigurable input/output, dedicated output, and dedicated input. Each I/O port has specific memory-mapped I/O registers/addresses associated with it, depending on the port type. The following sections describe the I/O port register structure for each port type.

NOTE: All port registers and pins are memory-mapped in the data store memory address space. Therefore, instructions which operate on data memory also operate on port registers and pins. This includes instructions used to set, reset and test individual bits. The I/O register addresses for specific ports are listed in the memory map shown in Table 2-1.

Reconfigurable Input/Outputs

Reconfigurable input/output ports have two associated port registers: a port configuration register and a port data register. These two memory-mapped registers allow the port pins to be individually configured as either inputs or outputs, and to be individually changed back and forth in software. The configuration register is used to set up the pins as inputs or outputs. A pin may be configured as an input by writing a '0' or as an output by writing a "1" to its associated configuration register bit. If a pin is configured as an output, the associated data register bit represents the state of the pin (1 = logic high, 0 = logic low). If the pin is configured as an input, the associated data register bit determines whether the pin is a weak pull-up or Hi-Z input. Table 2-2 details the port configuration options. The port configuration and data registers are read/write registers.

A third data memory address is assigned to each I/O port. Reading this memory address returns the value of the port pins regardless of how the pins are configured.

Dedicated Outputs

Dedicated output ports have one associated port register. This memory-mapped output data register is used to set the port pins to a logic high or low. A port pin may be

individually set or reset by writing a one or zero to its associated data register bit. Port data registers may be read or written.

Dedicated Inputs

Dedicated input ports have no associated port registers. However, a data memory address is assigned to the port pins for reading of the port input. Port pin addresses are read-only memory locations.

Table 2-1 Data Memory Map

Address	Contents
00-6F	On-chip RAM Address Space
70-BF	On-chip Data Memory Address Space
C0-CF	I/O and Register Address Space
D0	Port L Data Register
D1	Port L Configuration Register
D2	Port L Input Pins (read only)
D3	Reserved for Port L
D4	Port G Data Register
D5	Port G Configuration Register
D6	Port G Input Pins (read only)
D7	Port I Input Pins (read only)
D8	Port C Data Register
D9	Port C Configuration Register
DA	Port C Input Pins (read only)
DB	Reserved for Port C
DC	Port D Data Register
DE	Reserved for Port D
DF	Reserved for Port D
E0-E8	On-chip Functions and Registers
E9	MICROWIRE shift register
EA	Timer 1 Lower Byte
EB	Timer 1 Upper Byte
EC	Timer 1 Autoload Register Lower Byte
ED	Timer 1 Autoload Register Upper Byte
EE	CNTRL Control Register
EF	PSW Register
F0 to FF	On-chip RAM mapped as Registers
FC	X Register
FD	SP Register
FE	B Register
FF	S Register or General Purpose Register

Table 2-2 I/O Port Configuration

Configuration Bit	Data Bit	Port Pin Setup
0	0	Hi-Z input (TRI-STATE output)
0	1	Input with weak pull-up
1	0	Push-pull zero output
1	1	Push-pull one output

2.4 CORE REGISTERS

All COP8 Basic Family microcontrollers share a common block of logic referred to as the COP8 Basic Family microcontroller core. This core includes the COP8 Central Processing Unit (CPU), the Timer 1 Block, and the MICROWIRE/PLUS block. The registers contained within these blocks are the core registers. The CPU registers include: a 15-bit program counter (PC), an 8-bit accumulator (ACC), a processor status word (PSW), a core control register (CNTRL), and sixteen 8-bit data memory registers. The Timer 1 registers include: one 16-bit timer and a 16-bit autoloading capture register. The MICROWIRE/PLUS block has one 8-bit shift register. All core registers are memory mapped into the data memory address space except for the program counter (PC) and accumulator (ACC). The following sections describe in detail the COP8 Basic Family microcontroller core registers.

2.4.1 Accumulator

All COP8 family parts have a single 8-bit accumulator. The accumulator is used in all arithmetic and logical operations, such as ADD and XOR. In addition, it is used with the exchange, JID and LAID instructions. The arithmetic and logical instructions use the accumulator as both an operand and result register. A second operand register, if required, is either the instruction register (IR), which contains immediate data, or a register in data memory.

2.4.2 Program Counter

The CPU contains a 15-bit program counter used in addressing the byte-wide program memory. The PC is initialized to zero at reset and is incremented once for each byte of an instruction opcode. Jumps, jump subroutines, interrupts, and the JID instruction cause some or all of the PC bits to be replaced. Transfer-of-control instructions that replace only some of the PC bits have a limited jumping range.

2.4.3 Control Registers

The COP8 Basic Family core contains two 8-bit control registers (PSW and CNTRL). The following paragraphs and tables show the bits contained in each register. The functions of these bits are described in later chapters.

PSW Register (Address 00EF Hex)

The Processor Status Word (PSW) register contains eight different flag bits. The register bits are assigned as follows:

GIE	Global interrupt enable (enables interrupts)
ENI	External interrupt enable
BUSY	MICROWIRE busy shifting flag
IPND	External interrupt pending
ENTI	Timer T1 interrupt enable
TPND	Timer T1 interrupt pending (timer underflow or capture edge)
C	Carry Flip/Flop
HC	Half-Carry Flip/Flop

Table 2-3 PSW Register Bits

Bit 7	Bit 6	Bit 5	Bit 4	Bit 3	Bit 2	Bit 1	Bit 0
HC	C	TPND	ENTI	IPND	BUSY	ENI	GIE

CNTRL Register (Address 00EE Hex)

The Timer and MICROWIRE Control (CNTRL) register contains various MICROWIRE/PLUS, External Interrupt Edge, and Timer Control flags. The MICROWIRE/PLUS flags include SL0 and SL1, which select the MICROWIRE PLUS clock division factor, and MSEL, which selects the G port signals G5 and G4 as the MICROWIRE/PLUS signals SK and SO, respectively. The External Interrupt Edge Control flag selects the External Interrupt Signal input polarity. The Timer Control flags include TRUN, which is used to start and stop the timer/counter, and three Timer Mode Control signals.

The timer and MICROWIRE control register bits are:

SL1 & SLO	Select the MICROWIRE clock divide-by (00=2,01=4,1x=8)
IEDG	External interrupt edge polarity (0 = rising edge, 1 = falling edge)
MSEL	Selects G5 and G4 as MICROWIRE signals SK and SO, respectively
TRUN	Used to start and stop the timer/counter (1 = run, 0 = stop)
TC1	Timer T1 Mode Control Bit
TC2	Timer T1 Mode Control Bit
TC3	Timer T1 Mode Control Bit

Table 2-4 CNTRL Register Bits

Bit 7	Bit 6	Bit 5	Bit 4	Bit 3	Bit 2	Bit 1	Bit 0
TC1	TC2	TC3	TRUN	MSEL	IEDG	SL1	SL0

2.4.4 Data Registers

The COP8 Basic Family contains sixteen 8-bit data registers located in data memory from address 00F0 to 00FF Hex. Four of these registers, 00FC through 00FF Hex, have special functions. Locations 00FC and 00FE Hex contain the 8-bit data memory pointers X and B, respectively. Location 00FD contains the 8-bit stack pointer (SP) for data memory. Location 00FF is reserved for the data segment extension register, which is used in some COP8 Basic Family devices to extend data memory beyond 128 bytes. In devices that contain 128 or fewer bytes of data memory, this register is available for general usage. The remaining twelve registers, 00F0 through 00FB, are always available for general purpose use.

Certain COP8 Basic Family instructions differentiate data registers from other data memory locations, such as the DRSZ (decrement register skip if zero) instruction. DRSZ subtracts one from a specified data register and skips the following instruction if the result of the decrement is zero. This instruction is extremely useful in constructing code loops, and makes the data registers ideal choices for loop counters. Other instructions like the “load memory with immediate data” are more efficient when used with the register memory than when used with the general data memory.

Stack Pointer

The stack pointer (SP) is memory mapped at data memory location 00FD Hex. The stack pointer should be initialized before any subroutine calls or interrupts occur. Normally, the stack pointer is initialized to the top of the base segment of data memory. For the devices with 64 bytes of RAM, this is memory location 002F Hex. For the devices with 128 bytes of RAM, this is memory location 006F Hex.

Pushing addresses onto the stack causes the stack to grow downward in data memory toward address zero. Popping addresses off the stack causes the stack to shrink upward. If the stack pointer is initialized to the top of the base segment of memory, over-popping the stack causes a Software Trap error interrupt. The lower limit of the stack is address 0000 Hex. Over-pushing the stack causes the stack to wrap around to addresses 00FF and 00FE Hex (subroutine calls and interrupts cause a double-byte push). This should be avoided because it interferes with the B pointer, which is memory mapped at location 00FE Hex.

The user may initialize the stack pointer anywhere in the base segment of memory. The stack still grows down toward address zero, but the stack no longer has the Software Trap interrupt over-pop protection. Initializing the stack pointer to one of the upper base segment data register addresses (00F0 to 00FB Hex) is potentially very hazardous. The available stack memory is severely limited, and if the stack pushes downward beyond address location 00F0, interference occurs with the PSW and CNTRL control registers, which are memory mapped at address locations 00EF and 00EE Hex, respectively.

Data Memory Pointers (Index Registers)

The COP8 Basic Family contains two special registers, X and B, which may be used as pointers. These registers allow indirect addressing of all locations mapped in the data memory address space. In addition, these registers may be automatically incremented or decremented by certain instructions that use register indirect addressing. The auto-

incrementing and auto-decrementing features allow the user to easily step through data memory locations (i.e., tables).

2.4.5 MICROWIRE/PLUS Register

The MICROWIRE/PLUS three-wire serial communication system contains an 8-bit memory mapped serial shift register (SIOR). The serial data input and output signals to the SIOR register are supplied by SI and SO, respectively. The shift register is clocked by signal SK. Data is shifted through the SIOR from the low-order end to the high-order end on the falling edge of the SK clock signal.

2.4.6 Timer Registers

The COP8 Basic Family core contains one timer block. The timer block consists of a 16-bit timer/counter with an associated 16-bit autoloading/capture register. The 16-bit register and timer are each organized as two 8-bit memory mapped registers. The upper and lower byte addresses for the memory mapped timer and autoloading/capture register are shown in the data memory address map (Table 2-1).

2.5 CPU OPERATION

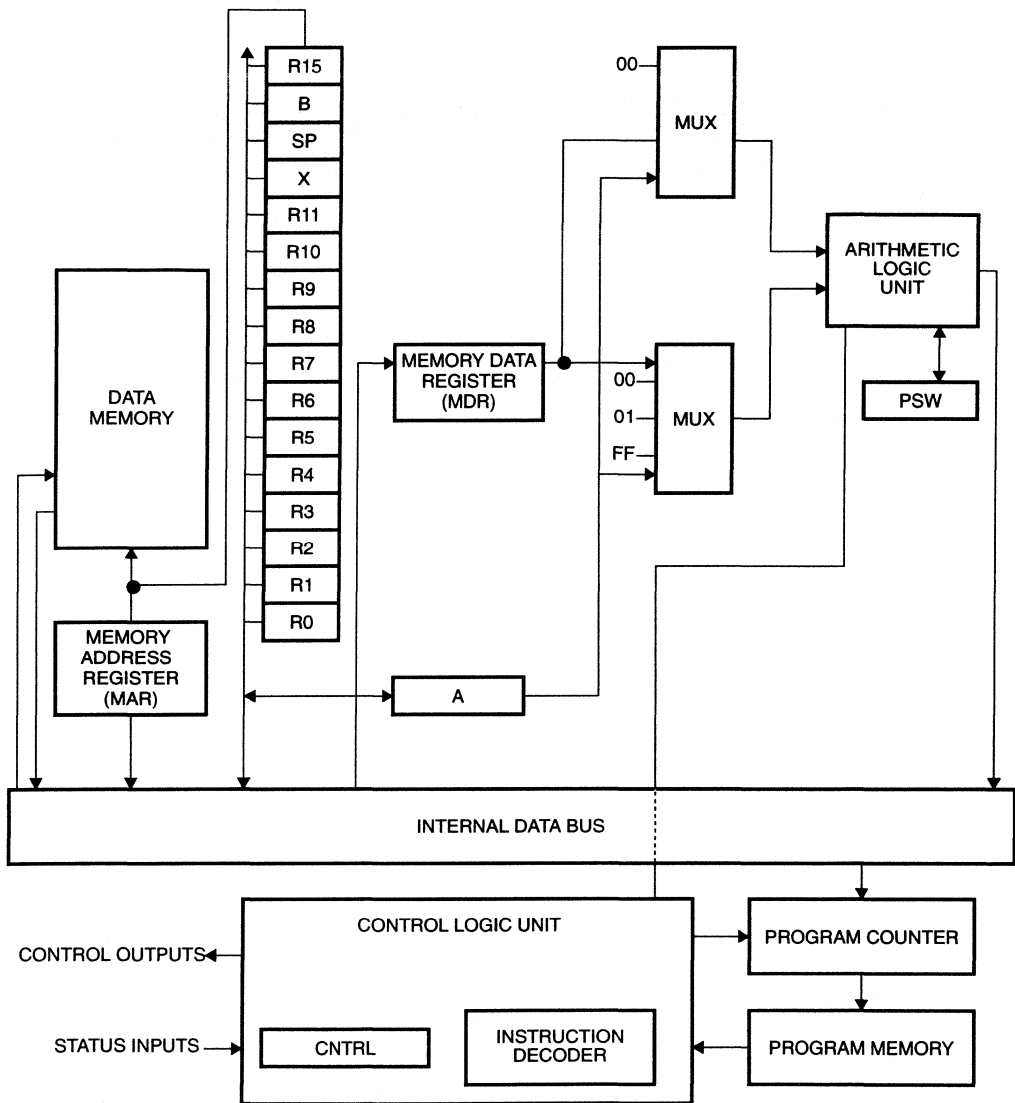
This section describes the operation of the COP8 Central Processing Unit (CPU). A brief description of the control logic and the Arithmetic Logic Unit, is given at the beginning of this section. The remainder of this section describes how the microcontroller performs memory fetches, executes instructions, and handles interrupt and error conditions. A block diagram of the main elements which interface with the control logic and ALU is shown in Figure 2-2.

Control Logic

The CPU Control Logic controls virtually all operations within the device. It includes the program counter, the memory address register, the processor status word register, and the instruction register for storing information. It also includes logic for directing memory fetches, instruction decoding and execution, and interrupt/error handling. It receives inputs from the ALU and on-chip peripherals, including the timer(s) and the MICROWIRE/PLUS interface, and generates control signals for these and other parts of the device.

Arithmetic Logic Unit (ALU)

The ALU performs all logical and arithmetic operations. Inputs to the ALU are provided by the accumulator, several hard-wired data constants, the carry/half-carry bits and the memory data register (MDR). The ALU inputs for a given instruction are specified in the instruction opcode. The accumulator functions as both a source and destination for the ALU, and is used in **all** logical and arithmetic instructions. It always contains the result of the last executed logical, arithmetic, or load/exchange accumulator instruction. The hard-wired data constants, which include 0000, 0001, and 00FF Hex, are used in instructions like CLR A, INC A, and DEC A. These instructions have an implicit



TSP-COP820-02

Figure 2-2 COP8 CPU Interface

addressing mode. The carry (C) and half-carry (HC) bits are used in instructions like ADC and SUBC. All arithmetic and logical instructions with two operands use the MDR as one input to the ALU. The MDR may be loaded with operands from data memory or the instruction register (immediate data specified in an instruction opcode). Since only one MDR exists, arithmetic and logical instructions can not be performed directly on two

operands from data and/or program memory. Such operations require one operand from memory to be loaded into the accumulator prior to execution.

2.5.1 Memory Fetches

The following two sections describe the manner in which the COP8 Basic Family microcontrollers access data and program memory. Memory access time greatly affects total instruction execution time, and is therefore an important element in understanding the COP8 CPU timing.

Data Memory Fetches

All data memory accesses are performed using the internal memory address register (MAR). The contents of the MAR select the location within the data memory address space to be read/written by the current instruction. It should be noted that Memory Direct to Memory Direct data transfers and operations are not supported.

The MAR is loaded with the contents of the B pointer during the last instruction cycle of all instructions. Therefore, instructions that use the Register B Indirect mode of addressing are extremely efficient. This is because the address of the memory location to be accessed during an instruction is already present in the MAR at the start of the instruction. Instructions that use Memory Direct addressing or Register X Indirect addressing to access data memory require an extra one or two instruction cycles to fetch and load the desired memory address into the MAR before the actual instruction can be executed.

Some instructions that use Memory Direct addressing are more efficient when addressing the data registers located between 00F0 and 00FF Hex because in these instructions, the complete memory address of the register is contained in the first byte of the instruction opcode. This allows the MAR to be loaded with the new address in the first instruction cycle of the instruction. Instructions that do not access data memory do not affect the MAR. During the execution of instructions that use the ALU and an operand from data memory, the contents of the memory location addressed by the MAR is loaded into the memory data register (MDR) before being fed into the ALU.

Program Memory Fetches

All program memory accesses are performed using the 15-bit program counter (PC). This includes accesses to program memory for table lookups. At any given time, the PC addresses one byte within program memory. This byte is loaded into the instruction register for decoding, or used as immediate or memory address data. All data/opcode fetches cause the PC to be incremented automatically, so that the PC typically points to one program memory location ahead of the current instruction byte being executed. This allows pre-fetching of opcodes. This is also the reason why table lookup instructions (LAID, JID) located at the last byte within a 256-byte program memory page cause fetches from program memory locations in the following 256-byte page. (The JID and LAID instructions replace the lower 8 bits of the PC, and rely on the current upper 7 bits of the PC to form the complete address for table lookups. However, the upper 7 bits of the PC change when the PC is automatically incremented over a page boundary.)

2.5.2 Instruction Decoding and Execution

All instruction decoding is performed by the CPU Control Logic. Single-byte opcodes require a single memory fetch. Therefore, many single-byte opcodes are single cycle. Multiple byte opcodes require more than one program memory fetch. The first byte of these opcodes is decoded to determine the number of program fetches needed to complete the instruction, and possibly the actual operation to be performed. Only one program memory fetch can be performed during a single instruction cycle. Therefore, an instruction always requires at least as many instructions cycles to execute as the number of opcode bytes.

NOTE: Data and program memory fetches can be performed in the same instruction cycle due to the Harvard-style architecture of the COP8 Family.

The instruction cycle clock (t_C) always equals one-tenth the frequency of the clock signal at the CKI pin. All instructions are executed in multiples of the instruction cycle clock period.

A pre-fetch of the next instructions first byte is always done during the last cycle of an instruction. In addition, the PC is always incremented. This means that at the start of the first cycle of an instruction, the opcode for that instruction is already in the IR and the PC is pointing to the next instruction byte. In order to generate skips (non-execution of an instruction), the microcontroller Skip Logic is activated. This prevents the next instruction (already located in the IR) from being executed by the microcontroller. Skipped instructions require X number of cycles to be skipped, where X equals the number of bytes in the skipped instruction's opcode.

The exact number of instruction cycles required for an instruction to execute can be found in Section 8.6.2. As noted previously, memory fetches (and therefore addressing modes) greatly influence instruction execution time. In order to optimize instruction execution time, the user should pay special attention to these items when developing code.

The following sections detail the steps performed by the CPU when executing different instructions.

One-Cycle Instructions

During the single cycle of these instructions, the following steps are performed by the CPU:

1. The instruction is decoded and executed. (The instruction opcode is already in the IR at the start of the instruction cycle due to pre-fetching).
2. The next instruction is fetched from program memory.
3. The PC is incremented.

Two-Cycle Instructions

The COP8 Basic Family two-cycle instructions have either one or two byte opcodes. They fall into one of five instruction categories: logical, arithmetic, conditional, exchange or load. The CPU steps for the various 2-cycle instructions are given below.

The logical, arithmetic and conditional instructions that use the Immediate addressing mode have the following steps:

Cycle 1: Decode the opcode for the instruction. Fetch the immediate data from program memory. Execute the instruction. Activate Skip Logic if necessary. Increment the PC. (The logical/arithmetic or conditional instruction is complete at the end of this instruction cycle.)

Cycle 2: Fetch the first byte of the next instruction. Increment the PC.

Two-cycle load and exchange accumulator instructions, and load memory indirect using the B pointer have these steps:

Cycle 1: Decode the opcode for the instruction. If necessary, fetch the immediate data from program memory and increment the PC. Execute the instruction. (The load or exchange is complete at the end of this instruction cycle.)

Cycle 2: If necessary, increment or decrement the B pointer. Load the contents of the B pointer into MAR. Fetch the first byte of the next instruction. Increment the PC.

Three Cycle Instructions

The COP8 Basic Family devices have eleven three-cycle load and exchange instructions. A generic overview of the sequence of steps performed by the CPU in executing these instructions is given below.

Cycle 1: Decode the opcode for the instruction. If necessary, fetch the memory direct address from program memory and increment the PC. Load the MAR with the address of the data memory location to be accessed (either the address fetched from program memory or the contents of the X pointer, depending on the instruction). If necessary, increment or decrement the X pointer.

Cycle 2: If necessary, fetch the immediate data from program memory and increment the PC. Execute the instruction. (The load or exchange is complete at the end of this instruction cycle.)

Cycle 3: Load the contents of the B pointer into the MAR. Fetch the first byte of the next instruction. Increment the PC.

The remaining three-cycle instructions are all unique. Therefore, the CPU sequence of events is given separately for each.

JP Instruction

Cycle 1: At the beginning of this instruction cycle, the PC is one count ahead of the address of the JP instruction. Decode the instruction opcode. Add the lower six bits of the contents of the IR (the JP opcode) to the lower byte of the PC.

Cycle 2: If the offset contained in the JP opcode was positive and the add performed in Cycle 1 had a carry out (overflow), increment the upper byte of the PC. If the offset was negative and no carry out was produced by the add in Cycle 1 (underflow), decrement the upper byte of the PC.

Cycle 3: Fetch the first byte of the next instruction (instruction located at the branch address). Increment the PC.

JMP Instruction

Cycle 1: Decode the instruction opcode. Fetch the lower byte of the branch address from program memory. Load the lower byte of the PC with the fetched address.

Cycle 2: Load the four least significant bits of the JMP opcode stored in the IR into the four least significant bits of the upper byte of the PC.

Cycle 3: Fetch the first byte of the next instruction (instruction located at the branch address). Increment the PC.

LAI Instruction

Cycle 1: Decode the instruction opcode. Exchange the lower byte of the PC with the contents of the accumulator.

Cycle 2: Fetch the byte from program memory addressed by the PC. Transfer the contents of the accumulator back to the lower byte of the PC. Store the fetched byte in the accumulator.

Cycle 3: Fetch the first byte of the next instruction. Increment the PC.

JID Instruction

Cycle 1: Decode the instruction opcode. Exchange the lower byte of the PC with the contents of the accumulator.

Cycle 2: Fetch the byte from program memory addressed by the PC. Transfer the contents of the PC back to the accumulator (restore the contents of the ACC). Store the fetched byte in the lower byte of the PC.

Cycle 3: Fetch the first byte of the next instruction. Increment the PC.

DRSZ Instruction

Cycle 1: Decode the opcode of the instruction. Load the MAR with the address of the register being decremented.

Cycle 2: Decrement the contents of the register addressed by the MAR. If the result is zero, activate the Skip Logic.

Cycle 3: Load the MAR with the contents of the B pointer. Fetch the first byte of the next instruction. Increment the PC.

Four-Cycle Instructions

All 4-cycle instructions except JMPL use the Memory Direct addressing mode. The following steps outline the general sequence of events performed by the CPU during the execution of these memory direct instructions.

- Cycle 1: Decode the Memory Direct mode opcode prefix (which is already in the IR because it was fetched during the previous instruction). Fetch the memory direct address from program memory and store it in the MAR. Increment the PC.
- Cycle 2: Fetch the actual opcode from program memory and store it in the IR.
- Cycle 3: Execute the instruction. (The bit manipulation, conditional test, or logical/arithmetic operation is complete at the end of this instruction cycle.)
- Cycle 4: Load the contents of the B pointer into the MAR. Fetch the first byte of the next instruction. Increment the PC.

A JMPL has the following steps:

- Cycle 1: Decode the JMPL opcode. Fetch the second byte of the instruction (the high-order byte of the branch address) and store it in IR. Increment the PC.
- Cycle 2: Fetch the third byte of the instruction (the low-order byte of the branch address) and load it into the lower byte of the PC.
- Cycle 3: Load the high-order byte of the branch address from the IR into the upper byte of the PC.
- Cycle 4: Fetch the next instruction (located at the branch address). Increment the PC.

Five-Cycle Instructions

The COP8 Basic Family devices have only five 5-cycle instructions. These instructions are JSR, JSRL, RET, RETI and RETSK. All of these instructions force program branches.

The CPU performs the following steps during the JSR and JSRL instructions:

- Cycle 1: Decode the opcode for the instruction. Load the MAR with the address of the first available stack location (the address currently in SP). Decrement the stack pointer to point to the next available stack location. If JSRL, fetch the next byte of the instruction and increment the PC.
- Cycle 2: Increment the PC. Push the low-order byte of the return address onto the stack (store at the location addressed by MAR). Fetch the next byte of the instruction. Load the low-order byte of the subroutine address (addressed by the MAR) into the PC.
- Cycle 3: Load the MAR with the address of the first available stack location (the address currently in SP). Decrement the stack pointer to point to the next available stack location.
- Cycle 4: Push the high-order byte of the return address onto the stack (store at the location addressed by MAR). If JSR, load the four bits of the high-order byte of

the subroutine address stored in the IR into the PC. If JSRL, load the seven bits of the high-order byte of the subroutine address stored in the IR into the PC.

Cycle 5: Load the contents of the B pointer into the MAR. Fetch the first byte of the next instruction. Increment the PC.

The CPU performs the following steps during the RET, RETSK, and RETI instructions:

Cycle 1: Decode the opcode for the instruction. Increment the stack pointer to point to the last entry on the stack. Load the MAR with the address of the last entry in the stack (address in the updated SP).

Cycle 2: Pop the high-byte of the return address off the stack (the contents of the memory location addressed to by the MAR). Load the upper byte of the PC with the high byte of the return address.

Cycle 3: Decode the opcode for the instruction. Increment the stack pointer to point to the last entry on the stack. Load the MAR with the address of the last entry in the stack (address in the updated SP).

Cycle 4: Pop the low byte of the return address off the stack (the contents of the memory location addressed to by the MAR). Load the lower byte of the PC with the low byte of the return address.

Cycle 5: Load the contents of the B pointer into the MAR. If RETI, set the GIE bit. If RETSK, activate skip logic to skip the instruction at the return address. Fetch the first byte of the instruction at the return address. Increment the PC.

Seven-Cycle Instructions

The Software Trap is the only instruction which requires seven cycles to execute. Refer to Section 2.5.3 for information on the execution of this instruction.

2.5.3 Interrupt and Error Handling

The COP8 Basic Family microcontrollers have three interrupt sources; External, Timer 1 and Software Trap. All interrupts cause the CPU to force a jump to location 00FF Hex in program memory. Therefore, all interrupt and error handling routines or branches should be located at 00FF Hex.

The CPU forces a jump to 00FF Hex by jamming the INTR opcode (00) into the IR upon detecting an interrupt or error. An interrupt that occurs while an instruction is being executed is not acknowledged until the end of the current instruction. If the instruction following the current instruction is to be skipped, the next instruction is skipped before the pending interrupt is acknowledged. Once an interrupt/error is acknowledged, the CPU requires seven cycles to perform the jump to location 00FF Hex. The sequence of cycles is:

Cycle 1: Jam opcode 00 into the IR. If not a Software Trap, reset the GIE bit. Decrement the lower-byte of the PC. (Note: The address of the instruction that was ready to be executed is the return address to be saved on the stack. However,

the PC is one count ahead of the current instruction, and must therefore be decremented before being saved on the stack.)

- Cycle 2: If the decrementing of the lower-byte of the PC caused a borrow, decrement the upper byte of the PC.
- Cycle 3: Load the MAR with the address of the first available stack location (the address currently in SP). Increment the stack pointer to point to the next byte of data on the stack.
- Cycle 4: Push the low-order byte of the return address onto the stack (store at the location addressed by MAR). Load the low-order byte of the PC with 0FF Hex.
- Cycle 5: Load the MAR with the address of the first available stack location (the address currently in SP). Decrement the stack pointer to point to the next available stack location.
- Cycle 6: Push the high-order byte of the return address onto the stack (store at the location addressed by MAR). Load the upper byte of the PC with 00 Hex.
- Cycle 7: Load the contents of the B pointer into the MAR. Fetch the first byte of the instruction located at 00FF Hex. Increment the PC.

Once a branch to location 00FF Hex occurs, the user software must poll the available pending flags to determine the source of the interrupt. If no pending flags are set, the software should assume a Software Trap has occurred and should take appropriate action. Refer to the Interrupt Chapter for more information on interrupts and the Software Trap.

2.6 RESET

The COP8 Basic Family microcontroller enters a reset state immediately upon detecting a logic low on the $\overline{\text{RESET}}$ pin. When the $\overline{\text{RESET}}$ pin is pulled to a logic high, the device begins code execution within two instruction cycles. The $\overline{\text{RESET}}$ pin must be held low for a minimum of one instruction cycle to guarantee a valid reset. During power-up initialization, the user hardware must ensure that the $\overline{\text{RESET}}$ pin is held low until the COP8 Basic Family microcontroller is within the specified V_{CC} voltage. Additionally, the user must ensure that the oscillator has had time to stabilize. An R/C circuit on the $\overline{\text{RESET}}$ pin with a delay 5 times greater than the power supply rise time is recommended.

All COP8 Basic Family microcontrollers contain logic to initialize their internal circuitry during the reset state. The following initializations are performed at reset:

- The Program Counter is loaded with 0000 Hex.
- All bits of the PSW and CNTRL registers are reset. This disables all interrupts, stops Timer 1, and disables MICROWIRE/PLUS.

The Accumulator and all data memory and data registers, including the B, X and SP pointers, are uninitialized at reset.

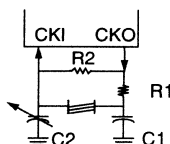
Refer to the device-specific chapters for details on the reset initialization of registers not found in the COP8 Basic Family microcontroller core.

2.7 CLOCK OPTIONS

Most COP8 Basic Family parts support three clock options; crystal oscillator, RC oscillator, and external oscillator. Depending on the device type, the clock option is either selected via a mask option or programmed into the device by the user. Selection of a specific clock option affects the operating frequency, clocking accuracy, and power consumption of a particular device. Refer to the device specific data sheets to obtain accurate information on frequency ranges, power consumption, and component values for the different oscillator circuits.

2.7.1 Crystal Oscillator

The dedicated CKI (clock input) pin and G7 (CKO) on the COP8 Basic Family devices can be connected to make a crystal controlled oscillator as shown in Figure 2-3. If G7 is used as the CKO pin, it is not available for general purpose use.

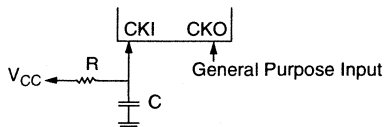


COP820-09-F

Figure 2-3 Crystal Oscillator Circuit

2.7.2 RC Oscillator

The dedicated CKI pin can be used to construct an RC oscillator as shown in Figure 2-4. With this option, G7 is available as a general purpose input pin. On the COP840CJ, the capacitor is on-chip.



COP820-10-F

Figure 2-4 RC Oscillator Circuit

2.7.3 RC Oscillator for the COP840CJ Only

The COP840CJ R/C option has the capacitor on the chip, where the user only has to provide the resistor. This is to help reduce EMI and help reduce the cost to the customer. The COP820CJ does not have the capacitor on the chip, therefore, the user has to supply both the capacitor and the resistor. Table 2-5 shows variation in the oscillator frequency for the COP840CJ as functions of the component (R) values. The capacitor is on-chip.

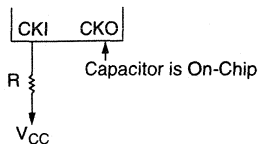


Figure 2-5 RC Oscillator Circuit for COP840CJ Only

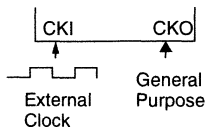
Table 2-5 R/C Oscillator Configuration (Part- To- Part Variation)

R (kOhm)	CKI Freq. (MHz)	Instr. Cycle (μ sec)	Conditions
5.6	3.3 \pm 10%	3.0 \pm 10%	Vcc = 5 Volts
15	1.3 \pm 10%	7.7 \pm 10%	Vcc = 5 Volts
27	0.75 \pm 10%	13.3 \pm 10%	Vcc = 5 Volts

This table contains preliminary data for the COP840CJ only. Please see the datasheet for complete details.

2.7.4 External Oscillator

The dedicated CKI pin can be driven by an external clock signal that meets specified duty cycle, rise/fall times, and input levels. With this option, G7 is available as a general purpose input pin. See Figure 2-6.

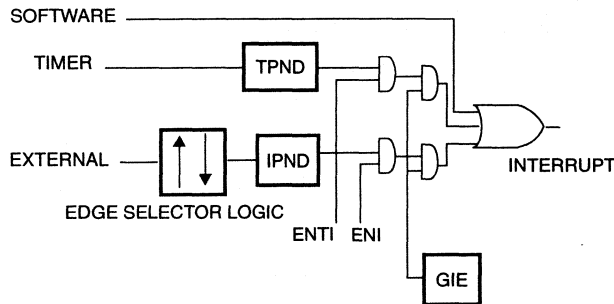


COP820-11-F

Figure 2-6 External Oscillator Circuit

3.1 INTRODUCTION

All COP8 Basic Family members have three independent interrupt sources: External, Timer 1 and Software Trap. These interrupts may be divided into two categories, maskable and non-maskable. The External and Timer 1 interrupts are both software maskable. The Software Trap is non-maskable because it is used to detect errors in program execution. The COP8 Basic Family processes all interrupts similarly by halting normal program execution and forcing a branch to program memory location 00FF Hex. The user program determines how interrupts are prioritized and serviced. A block diagram of the interrupt logic found in all COP8 Basic Family members is shown in Figure 3-1.



TL/DD/10802-8

Figure 3-1 Interrupt Block Diagram

Maskable interrupts, in addition to the External and Timer 1 interrupts, are available on some devices. These interrupts are discussed in detail in the appropriate device specific-chapter near the end of this manual. General information regarding interrupt processing and maskable interrupts contained in this chapter pertains to all COP8 Basic Family interrupts.

3.2 INTERRUPT PROCESSING

An interrupt is an asynchronous event which may occur before, during, or after an instruction cycle. Any interrupt which occurs during the execution of an instruction is not acknowledged until the start of the next normally executed instruction. If the next normally executed instruction is to be skipped, the skip is performed before the pending interrupt is acknowledged. All maskable interrupts set their associated interrupt pending flags immediately upon occurrence.

At the start of an interrupt acknowledgment, the CPU control logic halts normal program execution by jamming a zero opcode (00) into the instruction register. The microcontroller then performs the following actions:

1. If the interrupt is not a software trap, the Global Interrupt Enable bit is reset. This prevents other MASKABLE interrupts from being acknowledged while another interrupt is being serviced. The software trap does not reset GIE. Therefore, the software trap may be interrupted by other interrupts (causing nested interrupts).
2. The address of the next normally executed instruction is saved on the system stack. (A software trap error instruction pushes its own address onto the system stack.)
3. The Program Counter is loaded with 00FF Hex. This forces a jump to the user's general interrupt service routine, which is always stored at location 00FF Hex in program memory.

The COP8 Basic Family devices require seven instruction cycles to perform the actions listed above. Maskable interrupts that occur during this time still set their associated interrupt pending flags. Detailed information about the microcontroller's processing of interrupts is provided in Section 2.5.3, Interrupt and Error Handling.

The interrupt service routine at location 00FF Hex should determine the source(s) of the interrupt. This is accomplished by reading the interrupt pending flags. If more than one pending flag is set, the software must determine the relative priority of the interrupts. If no pending flags are set, the software should assume a software trap has occurred. Once the source and priority of an interrupt have been determined, the program should branch to an appropriate service routine. Since all interrupts force a branch to location 00FF Hex, all necessary context switching (saving of the accumulator, B pointer etc.) may be performed prior to branching to a specialized service routine. At the end of the service routine, the software should execute an instruction to return to normal program flow.

3.3 MASKABLE INTERRUPTS

The COP8 Basic Family devices allows all maskable interrupts to be individually enabled and disabled in software. Each maskable interrupt has an associated enable bit which is used for this purpose. In addition, each interrupt has an associated pending flag. This pending flag is always set by hardware immediately upon the occurrence of an interrupt regardless of whether or not the associated enable bit is set. The pending flag is polled by the user to determine the source of an interrupt. Interrupt enable bits are set and reset by software. Interrupt pending flags are set by hardware but must be reset by software. Pending flags may also be set by software to force interrupts. When setting a maskable interrupt enable bit, it should always be considered whether or not a previously pending occurrence of the interrupt is to be acknowledged. If previous occurrences are to be ignored and only new occurrences acknowledged, then the associated pending bit should be reset before the enable bit is set.

All maskable interrupts which have been individually enabled must be globally enabled/disabled by setting/resetting the Global Interrupt Enable (GIE) bit located in the

Processor Status Word (PSW) register. An interrupt will only be acknowledged if its associated interrupt enable bit and the GIE bit are set.

The acknowledgment of a maskable interrupt always forces the reset of the GIE bit. This prevents subsequent maskable interrupts from interrupting a service routine already in progress. Interrupts that occur during the servicing of a previous interrupt are not lost. These interrupts set their associated interrupt pending flags, and are acknowledged after the return from the current interrupt service routine. Resetting of the GIE bit does not prevent a non-maskable software trap from interrupting the microcontroller.

The interrupt service routine should poll all pending flags to determine the source of the interrupt. The service routine must then reset the pending bit of the interrupt being processed. This is normally done at the start of the interrupt service routine in order to avoid missing a fast second occurrence of the same interrupt. (Interrupt pending bits are NOT reset by hardware.) Maskable interrupts may be nested by setting the GIE bit at the start of or during the interrupt service routine. This procedure of nesting interrupts is not recommended except in very special cases. Great caution must be exercised in using nested interrupts because of the potential for stack overflow, as well as the possibility of over-writing registers used in the interrupt service routines.

Returning from a maskable interrupt service routine may be accomplished with any one of the following instructions; RET, RETSK or RETI. However, it is recommended that the RETI (return from interrupt) instruction be used. This instruction pops the last saved entry from the stack and places it in the Program Counter. In addition, it sets the GIE bit in order to enable further interrupts. The user may choose to set the GIE bit in software and use the RET (return from subroutine) or RETSK (return and skip) instruction.

3.3.1 Timer 1 Interrupt

Timer1 can be configured to generate an interrupt on one of two conditions. The PWM and External Event Counter modes of operation allow an interrupt on timer underflow. The Input Capture mode of operation allows an interrupt on a positive or negative edge transition on TIO (Pin G3). The same interrupt enable flag (ENTI) and interrupt pending flag (TPND) are used for both timer interrupts. These flags are located in the PSW register. Details on setting up the Timer1 interrupt are given in Chapter 4.

If the timer is not used, the TIO pin (G3) may function as an additional independent external interrupt. In order to set up this second external interrupt, the timer is placed in the Input Capture Mode. The timer control bit TC1 is used to select the edge polarity. The Timer Interrupt Enable (ENTI) and Timer Interrupt Pending (TPND) bits located in the PSW register are used as the enable and pending flags.

3.3.2 External Interrupt

The G0 pin on all COP8 Basic Family devices may be used as an external interrupt input. If used as an external interrupt, the pin must be configured as an input as described in Chapter 2. The edge polarity of the interrupt may be selected by writing to the IEDG (External Interrupt Edged) bit located in the PSW register. Writing a zero selects a positive edge. Writing a one selects a negative edge. The interrupt is enabled when both

the ENI (External Interrupt Enable) bit and the GIE bit are set. The occurrence of an external interrupt will set the IPND (External Interrupt Pending) flag, also located in the PSW register.

3.4 SOFTWARE TRAP

The software trap interrupt is used to detect errors in program execution. These errors result from a variety of conditions including: brownouts, power transients, noise, runaway programs, over-popping of the stack and accessing program memory locations which are not physically present in the device.

A software trap occurs when a zero opcode instruction (INTR) is executed as part of the normal instruction sequence fetched from program memory. Generally, a zero opcode is only executed to force the acknowledgment of a hardware interrupt. In these cases, this opcode is not a part of the normal instruction sequence but is jammed into the instruction register by the interrupt logic. The execution of a zero opcode (INTR) when an interrupt is not pending is an error, and it is this error which actually results in a software trap. Such an error may occur when an instruction is fetched from beyond the available program memory space, when the stack is over-popped, or as a result of some transient condition. Reading from unavailable program memory always returns zeros (INTR). Thus, instruction fetches from these locations load zero opcodes into the instruction register, and thereby create a software trap. Over-popping a stack which has been initialized to the top of the available data memory space loads the Program Counter with FFFF Hex. This indirectly forces a software trap by loading the Program Counter with the address of an unavailable program memory location. If unused program memory is filled with all zeros, then a software trap will also occur if a runaway program inadvertently branches to an unused program memory location.

Software traps, like hardware interrupts, force a jump to program memory location 00FF Hex. However, software traps do not set an interrupt pending flag or reset the GIE bit. The code located at 00FF Hex can determine whether or not a software trap has occurred by polling all maskable interrupt pending flags. If no flags are set, it can be assumed that a software trap has occurred. Since the GIE bit is not reset upon the occurrence of a software trap, a software trap may be interrupted by another interrupt.

Whenever a software trap occurs, it is recommended that the user re-initialize the stack pointer and do a recovery procedure. The recovery procedure should be similar to a device RESET start-up but may not contain all of the same initialization procedures. The user should never simply execute a RET or RETI instruction to exit from a software trap. This is because the return address pushed onto the stack by the software trap is the address of the instruction that produced the error. An infinite loop of software traps is generated by returning to this instruction. The user may return to the instruction following the trap instruction by placing an RETSK at the end of the software trap service routine.

4.1 INTRODUCTION

The COP8 Basic Family devices contain a versatile 16-bit timer/counter that can satisfy a wide range of application requirements. The timer can be configured to operate in any of three modes:

- Pulse Width Modulation (PWM) mode: generates pulses of a specified width
- External event counter mode: counts occurrences of an external event
- Input capture mode: measures the elapsed time between occurrences of an external event

4.2 TIMER/COUNTER BLOCK

The timer/counter block (the section of the device containing the timer circuitry) consists of a 16-bit counter/timer register and an associated 16-bit autoloading/capture register (designated RA). The timer and the associated autoloading register are each organized as a pair of 8-bit memory-mapped registers. The timer bytes reside at addresses 00EA and 00EB, while the associated autoloading register bytes reside at addresses 00EC and 00ED.

The timer/counter block uses one pin, designated TIO, to support the I/O requirements of the timer. The TIO feature is an alternate function of G3 (Port G, bit 3).

The timer can be started or stopped at any time under program control. When running, the timer counts down (decrements). Depending on the operating mode, the timer counts either instruction clock pulses (the clock used for executing instructions) or transitions on the TIO pin. Occurrences of the timer underflow (transition from 0000 to FFFF) can either generate an interrupt or toggle the TIO pin, also depending on the operating mode.

When timer interrupts are enabled, the source of the interrupt depends on the timer operating mode: either a timer underflow, or an input signal received on the TIO pin.

4.3 TIMER CONTROL BITS

The timer is controlled by six memory-mapped control bits in the PSW (Processor Status Word) and CNTRL (Control) registers of the CPU core. These bits control the operation of the timer by enabling or disabling the timer interrupt, by setting the operating mode, and by starting and stopping the timer. The control bits operate as described in Tables 4-1 and 4-2.

Table 4-1 Timer Control Bits

Register/Bit	Name	Function
PSW/Bit 5	TPND	Timer interrupt pending flag: 1 = Timer interrupt pending, 0 = Timer interrupt not pending
PSW/Bit 4	ENTI	Enable timer interrupt: 1 = Timer interrupt enabled, 0 = Timer interrupt disabled
CNTRL/Bit 7	TC1	Timer control bit 3 (see table 4-2)
CNTRL/Bit 6	TC2	Timer control bit 2 (see table 4-2)
CNTRL/Bit 5	TC3	Timer control bit 1 (see table 4-2)
CNTRL/Bit 4	TRUN	Timer run: 1 = Start timer, 0 = Stop timer

Table 4-2 Timer Mode Control Bits

CNTRL Bits 7-6-5	Operating Mode	T Interrupt	Timer Counts On
0-0-0	External event counter with autoloader register	Timer underflow	TIO positive edge
0-0-1	External event counter with autoloader register	Timer underflow	TIO negative edge
0-1-0	Not Allowed	—	—
0-1-1	Not Allowed	—	—
1-0-0	PWM: timer with autoloader register	Timer underflow	Instruction clock
1-0-1	PWM: timer with autoloader register; toggle TIO out	Timer underflow	Instruction clock
1-1-0	Timer with input capture register	TIO positive edge	Instruction clock
1-1-1	Timer with input capture register	TIO negative edge	Instruction clock

4.4 TIMER OPERATING MODES

The timer can be configured to operate in any one of three modes. Within each mode, there are options related to the use of the TIO pin.

The Pulse Width Modulation (PWM) mode can be used to generate precise pulses of known width on the TIO pin (configured as an output). The timer is clocked by the instruction clock. An underflow causes the timer register to be reloaded with the value in the RA register, and optionally, causes the TIO output to toggle.

The external event counter mode can be used to count occurrences of an external event. The timer is clocked by the signal appearing on the TIO pin (configured as an input). An underflow causes the timer register to be reloaded with the value in the RA register.

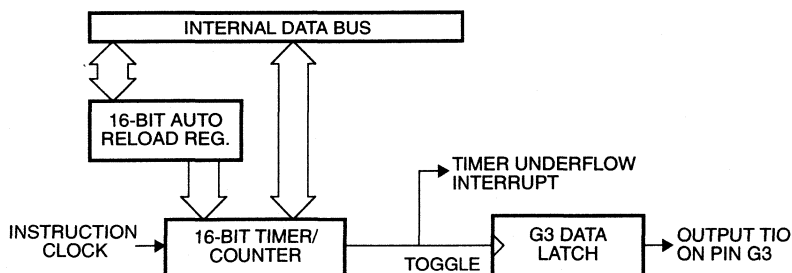
The input capture mode can be used to precisely measure the frequency of an external clock that is slower than the instruction clock, or to measure the elapsed time between external events. The timer is clocked by the instruction clock. A transition received on the TIO pin (configured as an input) causes a transfer of the timer contents to the RA register.

4.4.1 PWM Mode

In the Pulse Width Modulation (PWM) mode, the timer counts down at the instruction clock rate. When an underflow occurs, the contents of the RA register are transferred into the timer register, and counting proceeds downward from the loaded value. If the timer interrupt is enabled, an interrupt occurs with each underflow.

The timer can be configured to toggle the TIO output bit upon underflow. In this case, the width of pulses on the TIO pin are controlled by the value stored in the RA register.

A block diagram of the timer operating in the PWM mode is shown in Figure 4-1.



TSP-COP820-03

Figure 4-1 Timer in PWM Mode

The following steps can be used to operate the timer in the PWM mode. In this example, the TIO output pin is toggled with every timer underflow, and the “on” and “off” times for the TIO output are set to different values. (The TIO output can start out either high or low; follow the instructions shown in parentheses to start it low.)

1. Configure the TIO pin as an output by setting bit 3 in the Port G configuration register.
2. Initialize the TIO pin value to 1 (or 0) by setting (or clearing) the bit 3 in the Port G data register.
3. Load the PWM “on” (or “off”) time into the timer register.
4. Load the PWM “off” (or “on”) time into the RA register.
5. Set the timer control bits of the CNTRL register to select the PWM mode, and to toggle the TIO output with every timer underflow (see Table 4-2).
6. Set the TRUN (Timer Run) bit in the CNTRL register to start the timer.
7. After the timer underflows, update the RA register by writing the desired value for the next “on” or “off” time period. Either polling or interrupts can be used to synchronize loading of the RA register with the operation of the timer. To use interrupts, you must write the proper value to the PSW register before starting the timer: clear the TPND (Timer Interrupt Pending) flag, set the ENTI (Enable Timer Interrupt) bit, and set the GIE (Global Interrupt Enable) bit.

The selectable range for the PWM “on” and “off” times is 1 to 65,536 clock cycles. For a 10 MHz clock, this corresponds to a time range of 1 microsecond to 65.5 milliseconds. The pulse period (“on” plus “off” times) can then range from 2 microseconds to 131 milliseconds.

4.4.2 External Event Counter Mode

The external event counter mode is similar to the PWM mode, except that instead of counting instruction clock pulses, the timer counts transitions received on the TIO pin (configured as an input). The TIO pin should be connected to an external device that generates a pulse for each event to be counted.

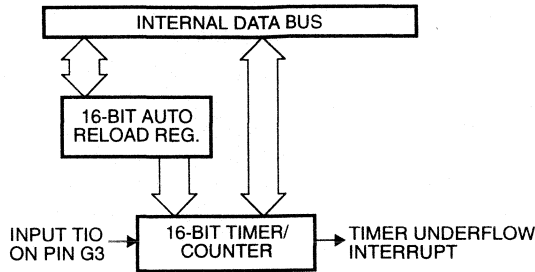
The timer can be configured to sense either positive-edge or negative-edge transitions on the TIO pin. The maximum frequency at which transitions can be sensed is one-half the frequency of the instruction clock.

As with the PWM mode, when an underflow occurs, the contents of the RA register are transferred into the timer register, and counting proceeds downward from the loaded value. If the timer interrupt is enabled, an interrupt occurs with each underflow.

A block diagram of the timer operating in the external event counter mode is shown in Figure 4-2.

The following steps can be used to operate the timer in the external event counter mode.

1. Configure the TIO pin as an input by clearing the bit 3 in the Port G configuration register.
2. Load the initial count into the timer register and also into the RA register. When this number of external events is detected, the counter will reach zero



TSP-COP820-04

Figure 4-2 Timer in External Event Counter Mode

although it will not overflow until the next event is detected. Therefore, to count N pulses, the value $N-1$ should be loaded into the timer and RA registers.

3. Set the timer control bits of the CNTRL register to select the external event counter mode, and to select the type of transition to be sensed on the TIO pin (positive-edge or negative-edge; see Table 4-2).
4. Set the TRUN (Timer Run) bit in the CNTRL register to start the timer.
5. The software should take whatever action is required when the timer underflows. Underflow can be detected either by polling the timer register or by using the timer interrupt. To use interrupts, you must write the proper value to the PSW register before starting the timer: clear the TPND (Timer Interrupt Pending) flag, set the ENTI (Enable Timer Interrupt) bit, and set the GIE (Global Interrupt Enable) bit.

4.4.3 Input Capture Mode

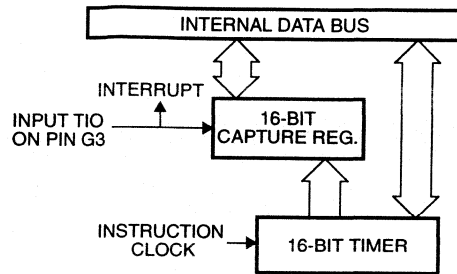
In the input capture mode, the timer counts down at the instruction clock rate. A transition received on the TIO pin (configured as an input) causes a transfer of the timer contents to the RA register. The values captured in the RA register at different times reflect the elapsed time between transitions on the TIO pin.

The timer can be configured to sense either positive-edge or negative-edge transitions. If the timer interrupt is enabled, the sensed transition on the TIO pin also triggers an interrupt. Timer underflows have no significance in this mode.

A block diagram of the timer operating in the input capture mode is shown in Figure 4-3.

The following steps can be used to operate the timer in input capture mode.

1. Configure the TIO pin as an input by clearing bit 3 in the Port G configuration register.
2. Set the timer control bits of the CNTRL to select the input capture mode, and to select the type of transition to be sensed on the TIO pin (positive-edge or negative-edge; see Table 4-2).



TSP-COP820-05

Figure 4-3 Timer in Input Capture Mode

3. Set the TRUN (Timer Run) bit in the CNTRL register to start the timer.
4. Each time a transition is sensed on the TIO pin, the contents of the timer register are transferred to the RA register, and an interrupt is triggered (if enabled). The interrupt service routine can record and compare the RA register contents to determine the elapsed time between events. To use interrupts, you must write the proper value to the PSW register before starting the timer: clear the TPND (Timer Interrupt Pending) flag, set the ENTI (Enable Timer Interrupt) bit, and set the GIE (Global Interrupt Enable) bit.

5.1 INTRODUCTION

MICROWIRE/PLUS™ is a synchronous serial communication system that allows the COP8 Basic Family microcontroller to communicate with any other device that also supports the MICROWIRE/PLUS system. Examples of such devices include A/D converters, comparators, EEPROMs, display drivers, telecommunications devices, and other processors (e.g., HPC and COP400 processors). The MICROWIRE/PLUS serial interface uses a simple and economical 3-wire connection between devices.

Several MICROWIRE/PLUS devices can be connected to the same 3-wire system. One of these devices, operating in what is called the master mode, supplies the synchronous clock for the serial interface and initiates the data transfer. Another device, operating in what is called the slave mode, responds by sending (or receiving) the requested data. The slave device uses the master's clock for serially shifting data out (or in), while the master device shifts the data in (or out).

On the COP8 Basic Family device, the three interface signals are called SI (Serial Input), SO (Serial Output), and SK (Serial Clock). To the master, SO and SK are outputs (connected to slave inputs), and SI is an input (connected to slave outputs).

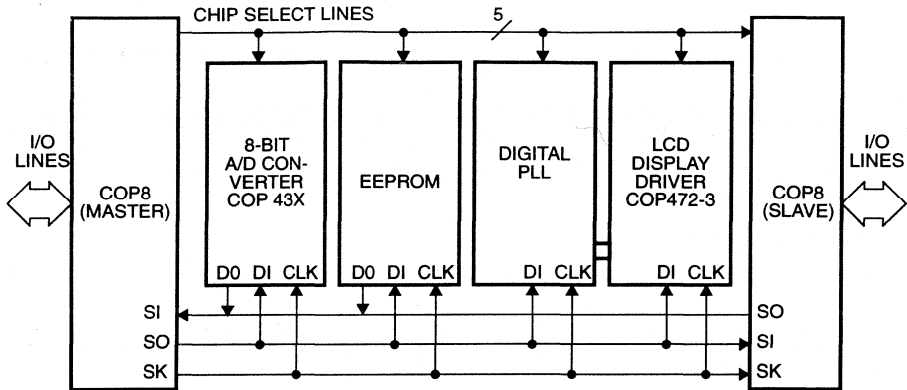
The COP8 Basic Family microcontroller can operate either as a master or a slave, depending on how it is configured by the software. Figure 5-1 shows an example of how several devices can be connected together using the MICROWIRE/PLUS system, with the COP8 Basic Family microcontroller (on the left) operating as the master, and other devices operating as slaves. The protocol for selecting and enabling slave devices is determined by the system designer.

5.2 THEORY OF OPERATION

Figure 5-2 is a block diagram illustrating the internal operation of the MICROWIRE/PLUS circuit of the COP8 Basic Family microcontroller.

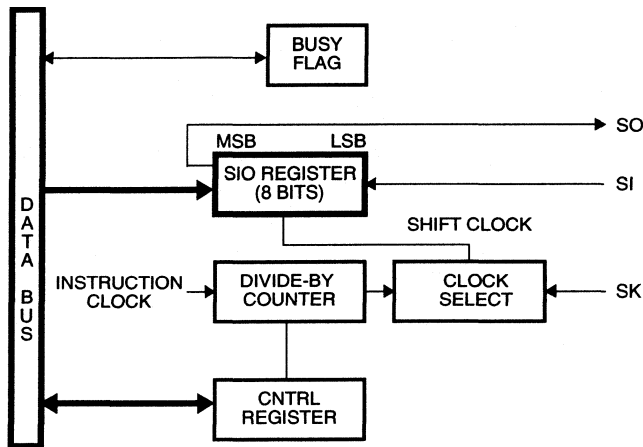
An 8-bit shift register, called the SIO (Serial Input/Output) register, is used for both sending and receiving data. In either type of data transfer, bits are shifted left through the register. When a data byte is being sent, bits are shifted out through the SO output, most significant bit first. When a data byte is being received, bits are shifted in through the SI input, most significant bit first also.

The SIO register is memory-mapped in the microcontroller's data memory space, allowing the software to write a data byte to be sent, or to read a full data byte that has been received. The Busy flag in the PSW register indicates whether the SIO register is ready to be read or written. Instead of polling the Busy flag, you can use a carefully timed



TSP-COP820-06

Figure 5-1 MICROWIRE/PLUS Example



TSP-COP820-07

Figure 5-2 MICROWIRE/PLUS Circuit Block Diagram

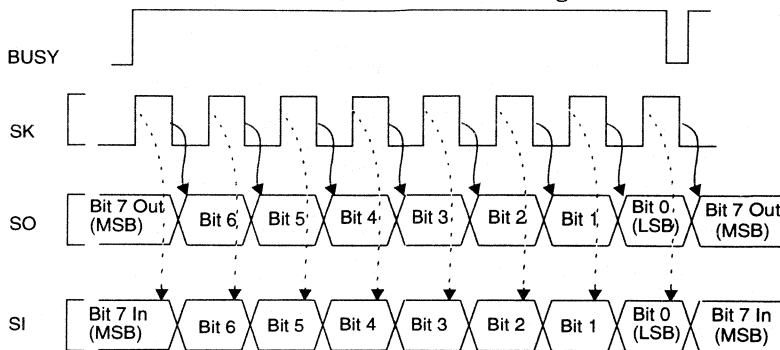
software loop to synchronize the reading or writing of the SIO register to completion of each 8-bit shift operation.

WARNING

The software should write the SIO register only when the SK clock is low. A data byte is generally written at the end of an 8-bit shifting cycle, when the SK clock is low anyway, so this is generally not a problem. If the user inadvertently writes to the register when SK is high, unknown data may be placed in the register.

5.2.1 Timing

Timing of the MICROWIRE/PLUS interface is shown in Figure 5-3.



COP800-09

Figure 5-3 MICROWIRE/PLUS Interface Timing

The SK clock signal is generated by the master device. Read and write operations are synchronized to this signal. When a data byte is being sent, the output data on SO is clocked out on the falling edge of the SK clock, as indicated by the solid arrows in the timing diagram. The first bit, however, becomes valid immediately after the SIO register is loaded with the data byte to be sent. When a data byte is being received, the input data on SI is sampled on the rising edge of the SK clock, as indicated by the dashed arrows in the timing diagram.

5.2.2 Port G Configuration

The three MICROWIRE/PLUS signals SO, SK, and SI are alternate functions of Port G pins G4, G5, and G6, respectively. To enable the use of these pins for the MICROWIRE/PLUS interface, the MSEL (MICROWIRE Select) bit of the CNTRL register must be set to 1. (The SL1 and SL0 bits, also in the CNTRL register, are used to control the SK clock speed in master mode, as described below.)

Port G must be properly configured for operation of the interface. This is accomplished by writing certain bit values to the Port G configuration register. Pin G4 (SO) should be configured as an output for sending data. Pin G5 (SK) should be configured as an output in master mode, or as an input in slave mode. G6 (SI) serves only as an input, so it need not be specifically configured as such. The Port G configuration register programming options are summarized in Table 5-1.

5.2.3 SK Clock Operation

When the COP8 Basic Family microcontroller operates in master mode, it generates the SK clock signal. A divide-by counter lowers the frequency of the instruction clock, producing an SK clock period that is 2, 4, or 8 times the period of the instruction clock. The divide-by factor is programmed by writing two bits to the CNTRL register, designated SL1 and SL0 (Select 1 and Select 0 bits), as indicated in Table 5-2.

Table 5-1 Port G Configuration Register Bits

Port G Config. Reg. Bits G5-G4	MICROWIRE Operation	G4 Pin Function	G5 Pin Function	G6 Pin Function
0-0	Slave, data in	TRI-STATE (unused)	SK External	SI Input
0-1	Slave, data out and data in	SO Output	SK External	SI Input
1-0	Master, data in	TRI-STATE (unused)	SK Internal	SI Input
1-1	Master, data out and data in	SO Output	SK Internal	SI Input

Table 5-2 Master Mode Clock Select Bits

SL1 (CNTRL Bit 1)	SL0 (CNTRL Bit 0)	SK Clock Period
0	0	2 times t_c
0	1	4 times t_c
1	X	8 times t_c

The internal divide-by counter is reset when the MICROWIRE Busy flag (described below) goes to 1. Because of this, the divide-by counter always starts from 0 at the beginning of an 8-bit shift cycle, ensuring uniform SK clock pulses.

When the COP8 Basic Family microcontroller operates in slave mode, the SK clock is generated by the external master device. In this case, SK is an input, and the SK clock-generating circuit of the COP8 device is inactive.

5.2.4 Busy Flag

A flag bit in the PSW (Processor Status Word) register indicates the status of the SIO shift register. To initiate an 8-bit shifting operation, set this bit to 1. Shifting then starts and continues automatically at the SK clock rate. With each shift, the high-order bit of the register is shifted out on SO (if enabled), and simultaneously, the low-order bit of the register is shifted in from SI.

When the 8-bit shifting operation is finished, the Busy flag is automatically reset to 0 by hardware. The software can determine whether or not shifting has been completed by polling this flag. When the flag is found to be 0, the software can write the next byte to be sent (or read the full byte just received) and then set the Busy flag to initiate transfer of the next byte.

The software can control the timing of the transfer by the setting and resetting the Busy flag. The handshaking protocol between the master and slave should ensure that the slave device is given enough time to respond after being enabled by the master. An example of a MICROWIRE/PLUS master/slave protocol is provided in the applications chapter.

The software program can reset the Busy bit directly by writing to the PSW register. This stops shifting immediately.

It is possible to eliminate the need for polling the Busy bit, thereby speeding up the transfer. This is accomplished by writing a software loop that executes in the exact amount of time necessary to allow an 8-bit shift operation. At the end of the loop, the software initiates the next 8-bit transfer, without checking the Busy bit. This is called the MICROWIRE “fast burst” mode. An example of this type of program is presented in the applications chapter.

Some external devices may require a continuous bit stream, without any pauses between bytes. This mode, called the MICROWIRE “continuous” mode, is also accomplished by writing a software loop that executes in a specific number of cycles. The clock divide-by factor must be 8. An example of this type of program is presented in the applications chapter.

When the COP8 Basic Family microcontroller operates in slave mode, the Busy flag should be set only when the SK clock signal (an input) is low. This is because the Busy bit is ANDed internally with the SK signal to produce the clock-shifting signal. If the Busy flag is set while SK is already high, the current SK pulse is gated in immediately, resulting in a clock pulse with an unknown width (perhaps very narrow), causing unreliable shifting.

5.3 MASTER MODE OPERATION EXAMPLE

When the COP8 Basic Family microcontroller operates in master mode, it generates the SK clock and initiates the transfer. The application software can perform a data transfer using the numbered steps shown below.

1. Write the proper value to the CNTRL register. To enable use of the Port G pins, set the MSEL bit. To set the divide-by factor for the SK clock, write the desired 2-bit value to the SL1 and SL0 bits (Table 5-2).
2. Write the proper value to the Port G configuration register, bits G5 and G4, to make the G5 (SK) pin an output and the G4 (SO) pin either TRI-STATE or an output, depending whether or not the COP8 Basic Family microcontroller is transmitting (Table 5-1).
3. If necessary, enable the desired slave device.
4. If sending data, write the data byte to the SIO register.
5. Set the Busy flag in the PSW register to initiate the transfer. Shifting proceeds automatically at the SK clock rate. The Busy flag is automatically reset upon completion of the 8-bit transfer.

6. Run in a loop and test the Busy flag for completion of the 8-bit transfer.
7. If receiving data, read the data byte in the SIO register.
8. Repeat steps 4 through 7 until all data bytes are transferred.

5.4 SLAVE MODE OPERATION EXAMPLE

When the COP8 Basic Family microcontroller operates in slave mode, the external master device generates the SK clock and initiates the transfer; SK is an input to the COP8 Basic Family microcontroller. The application software can set up the COP8 Basic Family device to allow a data transfer using the numbered steps shown below.

1. To enable use of the Port G pins, set the MSEL bit of the CNTRL register.
2. Write the proper value to the Port G configuration register to make the G5 (SK) pin an input and the G4 (SO) pin either TRI-STATE or an output, depending on whether or not the COP8 Basic Family microcontroller is transmitting (Table 5-1).
3. If sending data, write the data byte to the SIO register.
4. Set the Busy flag in the PSW register to allow the transfer. This should be done only when the SK signal is low. The handshaking protocol between the master and slave should ensure that the COP8 Basic Family microcontroller is given enough time to set the Busy flag before the data transfer starts. Once started, shifting proceeds at the SK clock rate. The Busy flag is automatically reset upon completion of the 8-bit transfer.
5. Run in a loop and test the Busy flag for completion of the 8-bit transfer.
6. If receiving data, read the data byte in the SIO register.
7. Repeat steps 3 through 6 until all data bytes are transferred.

6.1 INTRODUCTION

The COP8 Basic Family microcontrollers support a power-save mode of operation called the HALT mode. In this mode of operation, all internal processor activity stops and power consumption is reduced to a very low level. The processor can be forced to exit the HALT mode and resume normal operation at any time.

The fully static architecture of the COP8 Basic Family microcontrollers allow the state of the microcontroller to be absolutely frozen. This is accomplished by stopping the internal clock of the device. In addition to stopping the internal clock, the controller stops the CKI pin from oscillating during the HALT mode if the R/C or Crystal clock is selected.

During normal operation, typical power consumption is in the range of 1 to 10 milliamperes. The actual power consumption for a device depends heavily on the clock speed and operating voltage used in an application. In the HALT mode, the device draws only a small amount of leakage current, plus any current necessary for driving the outputs. Typically, power consumption is reduced to less than 1 microampere. Since total power consumption is affected by the amount of current required to drive the outputs, all I/Os should be configured to draw minimal current, if possible, prior to entering the HALT mode. In order to reduce power consumption even further, the power supply (V_{CC}) can be reduced to a very low level during the HALT mode that guarantees the status of the RAM only. The allowed lower voltage level (V_r) is specified in the device datasheet.

There are two ways to enter the HALT mode. One method is to simply stop the processor clock (if the hardware implementation allows it). The other method is to set bit 7 of the Port G data register.

6.2 CLOCK-STOPPING METHOD

The clock-stopping method of entering the HALT mode can be used only if the hardware implementation of the processor clock allows it. If a crystal or R-C circuit is used, there is no practical way to stop the clock, and this method cannot be used. However, if the clock signal is generated externally and supplied to the CKI input, the external clock circuit can simply stop the clock at any time.

The clock signal at CKI can be stopped in either state (high or low). When the clock stops, the COP8 Basic Family microcontrollers stop running but maintains all register and RAM contents. Power consumption is reduced to a very low level. However, when the clock starts running again, the processor begins running again from the point at which it had stopped.

6.3 PORT G METHOD

In the Port G method, the device enters the HALT mode under software control when the Port G data register bit 7 is set to 1. All processor action stops immediately, and power consumption is reduced to a very low level.

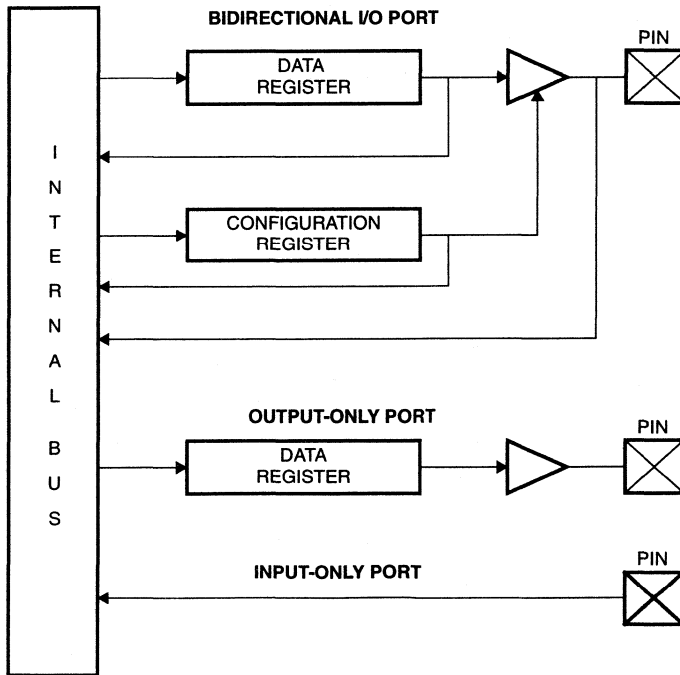
From this state, there are two ways to exit the HALT mode and resume normal operation. One method is to supply a low-to-high transition on the G7 input pin. The other method is to simply reset the device.

Using the G7 input pin is possible only if an external clock signal is supplied to CKI or an R-C circuit is being used. If a crystal circuit is being used, the G7/CKO pin is used as CKO, and is therefore unavailable for use as a HALT/Restart pin. If the G7 pin is available, a low-to-high transition on the pin takes the processor out of the HALT mode, and the program execution resumes from the point at which it stopped. In order to ensure accurate operation upon start-up of the device, the NOP (no-operation) instruction should follow the enter HALT instruction in the user's program.

A device Reset, which is invoked by a low-level signal on the $\overline{\text{RESET}}$ input pin, takes the device out of the HALT mode and starts execution from address 0000H. The initialization software should determine what special action is needed, if any, upon start-up of the device. The initialization of all registers following a $\overline{\text{RESET}}$ exit from HALT is discussed in Section 2.6 and the device specific chapters.

7.1 INTRODUCTION

All COP8 Basic family devices have four dedicated input pins ($\overline{\text{RESET}}$, V_{CC} , GND, CKI) and at least one bidirectional I/O port. Additional bidirectional I/O ports, dedicated input ports, and dedicated output ports are available on higher pin-count packages for some devices. (Refer to the device specific chapters for additional information on available ports, packages, and pinouts.) The $\overline{\text{RESET}}$, V_{CC} , GND and CKI pins are used for reset, power supply, ground, and clock input, respectively. The bidirectional I/Os may be configured in software as Hi-Z input, weak pull-up, or push-pull output. These pins may be used as general purpose input/output pins or for selected alternate functions. The dedicated input and dedicated output ports may also be used as general purpose pins or for selected alternate functions. Individual port descriptions are given in the following sections of this chapter. Figure 7-1 contains a block diagram of the bidirectional, dedicated output, and dedicated input port types.



TSP-COP820-08

Figure 7-1 COP8 Basic Family Port Structure

7.2 PORT C

Port C is not available on all COP8 Basic Family devices. If present, Port C is a software configurable I/O port. All of the Port C pins are available for general purpose use. Three memory addresses are allocated to Port C. One address is used to read the port pins directly. The other two addresses are used to access the port configuration register and the port data register. The configuration and data registers' bits are used to set-up the individual pins of Port C as described in Section 2.3.3.

Any package which has a Port C with less than 8 pins contains unbonded pins. The user's software should write a "1" to the missing pins configuration register bits. This configures unbonded pins as outputs and reduces the leakage current of the part.

7.3 PORT D

Port D is not available on all COP8 Basic Family devices. If present, Port D is a dedicated output port with one associated memory address. This address is used to access the port data register. A Port D pin may be individually configured to a logic high or low by writing a one or zero, respectively, to the associated data register bit. These pins are all available for general purpose use.

Port D outputs have high-sink drive capability. Refer to the COP8 Basic Family datasheets for more information on the electrical specs of Port D.

Port D is preset high when $\overline{\text{RESET}}$ goes low, and the D2 pin is sampled. If D2 is held low during the reset state, the COP8 Basic Family microcontroller enters a special mode of operation upon exiting the reset state. This special mode is used for testing purposes. In order to avoid entering this mode, the hardware designer should ensure D2 is not pulled low during reset.

7.4 PORT G

Port G is an input/output port which is available on all COP8 Basic Family devices. The number of pins associated with this port varies according to the device and package. The G6 pin, if available, is always an input pin. The G7 pin is either an input or output depending on the oscillator mask option selected. With an RC oscillator or external clock, the pin is available as a general purpose input and HALT/Restart pin (see Chapter 6). With the crystal oscillator option, the pin is a dedicated clock output (CKO) pin. All other Port G pins are software configurable bi-directional input/outputs and are available for general purpose use.

Three memory addresses are assigned to this port. One address is used to read the actual port pins. The other two addresses are used to access the port data register and the port configuration register. The port registers' Bits 0-5 are used to individually configure the port pins G0 through G5 as described in Section 2.3.3. Bits 6 and 7 of the Port G configuration register, and Bit 6 of the Port G data register are reserved. These bits always read zero, and writing a value to these bits has no effect. Bit 7 of the Port G data register is used to place the COP8 Basic Family microcontroller in HALT mode. (See Chapter 6.)

Most of the Port G pins are assigned optional alternate functions. The functions include but are not limited to: timer interface control, external interrupt, and MICROWIRE/PLUS interface. Alternate pin functions are listed in Section 7.7, and discussed in more detail in chapters devoted to specific COP8 Basic Family features.

All Port G pins have Schmitt Triggers on their inputs. Any package which has a Port G with less than 8 pins contains unbonded pins. The user's software should write a "1" to the missing pins configuration register bits. This configures unbonded pins as outputs and reduces the leakage current of the part.

7.5 PORT I

Port I is not available on all COP8 Basic Family devices. If present, Port I is a dedicated input port with one associated memory address. This read only address is used to access the input directly at the port pins.

All Port I pins are Hi-Z inputs, and must be pulled to a logic high or low externally. If a device has a Port I with less than 8 pins, the unavailable pins are unterminated. A read operation from these unterminated pins returns unpredictable values. The user should ensure that software takes this into account by either masking out these inputs or restricting the Port I accesses to bit operations only.

NOTE: Unterminated Port I pins draw power only when addressed (i.e., in short spikes).

7.6 PORT L

Port L is a bi-directional input/output port. The number of pins associated with this port varies according to the device and package. All Port L pins are available for general purpose use. Three memory addresses are allocated to Port L. One address is used to read the port pins directly. The other two addresses are used to access the port configuration register and the port data register. The configuration and data registers' bits are used to set-up the individual pins of Port L as described in Section 2.3.3.

In some COP8 Basic Family devices, the Port L pins have been assigned optional alternate functions. Alternate pin functions, such as multi-input wakeup, are discussed in more detail in the device specific chapters.

Devices which support multi-input wakeup on the Port L pins have Schmitt Triggers on all Port L inputs. Some COP8 Basic Family devices have high sink capabilities on Port L. Refer to the specific device's datasheet for more information on the Port L electrical characteristics.

7.7 ALTERNATE PORT FUNCTIONS

This section lists the alternate functions available on the Port G pins. For information on the alternate functions of pins in Ports C, D, I and L refer to the device specific chapters.

Pins assigned alternate functions may be used in a general purpose manner or in their alternate function capacity.

PORT G

Port G has the following alternate pin functions on all COP8 Basic FamilyCOP8 Basic Family devices:

- G0 INTR (External Interrupt Input)
- G1 No alternate function
- G2 No alternate function
- G3 Timer 1 I/O
- G4 S0 (MICROWIRE/PLUS Serial Data Output)
- G5 SK (MICROWIRE/PLUS Clock I/O)
- G6 SI (MICROWIRE/PLUS Serial Data Input)
- G7* Dedicated CKO (Clock Output) with Crystal Oscillator Mask Option or HALT/Restart (Exit HALT Mode) with RC or External Oscillator Mask Option

Refer to the Interrupt, Timer, MICROWIRE/PLUS and Power Save Mode chapters for additional information on these pins.

*This pin's alternate function(s) cannot be enabled and disabled in software.

8.1 INTRODUCTION

This chapter defines the instruction set of the COP8 Basic Family members. It contains information about the instruction set features, addressing modes and types. In addition, it contains a detailed description of each COP8 Basic Family instruction.

8.2 FEATURES

The strength of the COP8 Basic Family instruction set is based on the following features:

- Majority of single-byte opcode instructions to minimize program size.
- One instruction cycle for the majority of single-byte instructions to minimize program execution time.
- Many single-byte, multiple function instructions such as DRSZ.
- Three memory mapped pointers; two for register indirect addressing, and one for the software stack.
- Sixteen memory mapped registers which allow an optimized implementation of certain instructions.
- Ability to set, reset and test any individual bit in data memory address space, including the memory mapped I/O ports and registers.
- Register-Indirect LOAD and EXCHANGE instructions with optional automatic post-incrementing or decrementing of the register pointer. This allows for greater efficiency (both in cycle time and program code) in loading, walking across and processing fields in data memory.
- Unique instructions to optimize program size and throughput efficiency. Some of these instructions are: DRSZ, IFBNE, DCOR, RETSK and RRC.

8.3 ADDRESSING MODES

The COP8 Basic Family instruction set offers a variety of methods for specifying memory addresses. Each method is called an “addressing mode.” These modes are classified into two categories: “operand” addressing modes and “transfer-of-control” addressing modes. Operand addressing modes are the various methods of specifying an address for accessing (reading or writing) data. Transfer-of-control addressing modes are used in conjunction with “Jump” instructions to control the execution sequence of the software program.

8.3.1 Operand Addressing Modes

The operand of an instruction specifies what memory location is to be affected by that instruction. Several different operand addressing modes are available, allowing memory locations to be specified in a variety of ways. An instruction can specify an address directly by supplying the specific address, or indirectly by specifying a register pointer. The contents of the register (or in some cases, two registers) point to the desired memory location. In the “immediate” mode, the data byte to be used is contained in the instruction itself.

Each addressing mode has its own advantages and disadvantages with respect to flexibility, execution speed, and program compactness. Not all modes are available with all instructions. The Load (LD) instruction offers the largest number of addressing modes.

The available addressing modes are:

- Direct
- Register B or X Indirect
- Register B or X Indirect with Post-Incrementing/Decrementing
- Immediate
- Immediate Short
- Indirect from Program Memory

The addressing modes are described below. Each description includes an example of an assembly language instruction using the described addressing mode.

Direct. The memory address is specified directly as a byte in the instruction. In assembly language, the direct address is written as a numerical value (or a label that has been defined elsewhere in the program as a numerical value).

Example: Load Accumulator Memory Direct

LD A,05

Reg/Data Memory	Contents Before	Contents After
Accumulator	XX Hex	A6 Hex
Memory Location 0005 Hex	A6 Hex	A6 Hex

Register B or X Indirect. The memory address is specified by the contents of the B Register or X register (pointer register). In assembly language, the notation [B] or [X] specifies which register serves as the pointer.

Example: Exchange Memory with Accumulator, B Indirect

X A,[B]

Reg/Data Memory	Contents Before	Contents After
Accumulator	01 Hex	87 Hex
Memory Location 0005 Hex	87 Hex	01 Hex
B Pointer	05 Hex	05 Hex

Register B or X Indirect with Post-Incrementing/Decrementing. The relevant memory address is specified by the contents of the B Register or X register (pointer register). The pointer register is automatically incremented or decremented after execution, allowing easy manipulation of memory blocks with software loops. In assembly language, the notation [B+], [B-], [X+], or [X-] specifies which register serves as the pointer, and whether the pointer is to be incremented or decremented.

Example: Exchange Memory with Accumulator, B Indirect with Post-Increment

X A,[B+]

Reg/Data Memory	Contents Before	Contents After
Accumulator	03 Hex	62 Hex
Memory Location 0005 Hex	62 Hex	03 Hex
B Pointer	05 Hex	06 Hex

Immediate. The data for the operation follows the instruction opcode in program memory. In assembly language, the number sign character (#) indicates an immediate operand.

Example: Load Accumulator Immediate

LD A,#05

Reg/Data Memory	Contents Before	Contents After
Accumulator	XX Hex	05 Hex

Immediate Short. This is a special case of an immediate instruction. In the “Load B immediate” instruction, the 4-bit immediate value in the instruction is loaded into the lower nibble of the B register. The upper nibble of the B register is reset to 0000 binary.

Example: Load B Register Immediate Short

LD B,#7

Reg/Data Memory	Contents Before	Contents After
-----------------	-----------------	----------------

B Pointer	12 Hex	07 Hex
-----------	--------	--------

Indirect from Program Memory. This is a special case of an indirect instruction that allows access to data tables stored in Program Memory. In the “Load Accumulator Indirect” (LAID) instruction, the upper and lower bytes of the Program Counter (PCU and PCL) are used temporarily as a pointer to Program Memory. For purposes of accessing Program Memory, the contents of the Accumulator and PCL are exchanged. The data pointed to by the Program Counter is loaded into the Accumulator, and simultaneously, the original contents of PCL are restored so that the program can resume normal execution.

Example: Load Accumulator Indirect

LAID

Reg/Data Memory	Contents Before	Contents After
-----------------	-----------------	----------------

PCU	04 Hex	04 Hex
PCL	35 Hex	36 Hex
Accumulator	1F Hex	25 Hex
Memory Location		
041F Hex	25 Hex	25 Hex

8.3.2 Transfer-of-Control Addressing Modes

Program instructions are usually executed in sequential order. However, “Jump” instructions can be used to change the normal execution sequence. Several transfer-of-control addressing modes are available to specify jump addresses.

A change in program flow requires a non-incremental change in the Program Counter contents. The Program Counter consists of two bytes, designated the upper byte (PCU) and lower byte (PCL). The most significant bit of PCU is not used, leaving 15 bits to address the program memory.

Different addressing modes are used to specify the new address for the Program Counter. The choice of addressing mode depends primarily on the distance of the jump. Farther jumps sometimes require more instruction bytes in order to completely specify the new Program Counter contents.

The available transfer-of-control addressing modes are:

- Jump Relative
- Jump Absolute
- Jump Absolute Long
- Jump Indirect

The transfer-of-control addressing modes are described below. Each description includes an example of a “Jump” instruction using a particular addressing mode, and the effect on the Program Counter of executing that instruction.

Jump Relative. In this 1-byte instruction, six bits of the instruction opcode specify the distance of the jump from the current program memory location. The distance of the jump can range from -31 to $+32$.

Example: Jump Relative

JP 0A

Reg	Contents Before	Contents After
PCU	02 Hex	02 Hex
PCL	05 Hex	0F Hex

Jump Absolute. In this 2-byte instruction, 12 bits of the instruction opcode specify the new contents of the Program Counter. The upper three bits of the Program Counter remain unchanged, restricting the new Program Counter address to the same 4-Kbyte address space as the current instruction. (This restriction is relevant only in devices using more than one 4-Kbyte program memory space.)

Example Jump Absolute

JMP 0125

Reg	Contents Before	Contents After
PCU	0C Hex	01 Hex
PCL	77 Hex	25 Hex

Jump Absolute Long. In this 3-byte instruction, 15 bits of the instruction opcode specify the new contents of the Program Counter.

Example: Jump Absolute Long

JMP 03625

Reg/Mem- ory	Contents Before	Contents After
PCU	42 Hex	36 Hex
PCL	36 Hex	25 Hex

Jump Indirect. In this 1-byte instruction, the lower byte of the jump address is obtained from a table stored in program memory, with the Accumulator serving as the low order byte of a pointer into program memory. For purposes of accessing program memory, the contents of the Accumulator are written to PCL (temporarily). The data pointed to by the Program Counter (PCH/PCL) is loaded into PCL, while PCH remains unchanged.

Example: Jump Indirect

JID

Reg/Memory	Contents Before	Contents After
PCU	01 Hex	01 Hex
PCL	C4 Hex	32 Hex
Accumulator	26 Hex	26 Hex
Memory Location 0126 Hex	32 Hex	32 Hex

8.4 INSTRUCTION TYPES

The COP8 Basic Family instruction set contains a fairly wide variety of instructions. The available instructions are listed below, organized into related groups.

Some instructions test a condition and skip the next instruction if the condition is not true. Skipped instructions are executed as no-operation (NOP) instructions.

Arithmetic Instructions

The arithmetic instructions perform binary arithmetic such as addition and subtraction, with or without the Carry bit.

Add (ADD)

Add with Carry (ADC)

Subtract (SUB)

Subtract with Carry (SUBC)

Increment (INC)

Decrement (DEC)

Decimal Correct (DCOR)

Clear Accumulator (CLR)

Set Carry (SC)

Reset Carry (RC)

Transfer-of Control Instructions

The transfer-of-control instructions change the usual sequential program flow by altering the contents of the Program Counter. The Jump to Subroutine instructions save the Program Counter contents on the stack before jumping; the Return instructions pop the top of the stack back into the Program Counter.

Jump Relative (JP)

Jump Absolute (JMP)

Jump Absolute Long (JMPL)

Jump Indirect (JID)

Jump to Subroutine (JSR)

Jump to Subroutine Long (JSRL)

Return from Subroutine (RET)

Return from Subroutine and Skip (RETSK)

Return from Interrupt (RETI)

Software Trap Interrupt (INTR)

Load and Exchange Instructions

The load and exchange instructions write byte values in registers or memory. The addressing mode determines the source of the data.

Load (LD)

Load Accumulator Indirect (LAID)

Exchange (X)

Logical Instructions

The logical instructions perform the basic logical operations AND, OR, and XOR (Exclusive OR). Other logical operations can be performed by combining these basic operations. For example, complementing is accomplished by exclusive-ORing the Accumulator with FF Hex.

Logical AND (AND)

Logical OR (OR)

Exclusive OR (XOR)

Accumulator Bit Manipulation Instructions

The Accumulator bit manipulation instructions allow the user to shift the Accumulator bits and to swap its two nibbles.

Rotate Right Through Carry (RRC)

Swap Nibbles of Accumulator (SWAP)

Memory Bit Manipulation Instructions

The memory bit manipulation instructions allow the user to set and reset individual bits in memory.

Set Bit (SBIT)

Reset Bit (RBIT)

Conditional Instructions

The conditional instructions test a condition. If the condition is true, the next instruction is executed in the normal manner; if the condition is false, the next instruction is skipped.

If Equal (IFEQ)

If Greater Than (IFGT)

If Carry (IFC)

If Not Carry (IFNC)

If Bit (IFBIT)

If B Pointer Not Equal (IFBNE)

Decrement Register and Skip if Zero (DRSZ)

No-Operation Instruction

The no-operation instruction does nothing, except to occupy space in the program memory and time in execution.

No-Operation (NOP)

8.5 INSTRUCTION DESCRIPTIONS

The COP8 Basic Family microcontrollers each contain 49 different instructions. Most of the arithmetic, comparison, and data transfer (load, exchange) instructions operate with three different addressing modes (register indirect with **B** pointer, memory direct, and immediate). These various addressing modes increase the instruction total to 75. The detailed instruction descriptions contain the following:

- Opcode mnemonic
- Instruction syntax with operand field descriptor
- Full instruction description
- Register level instruction description
- Number of instruction cycles
- Number of bytes in instruction
- Hexadecimal code for the instruction bytes

The following abbreviations represent the nomenclature used in the detailed instruction description and the COP8 cross-assembler:

A	Accumulator.
B	B Pointer, located in RAM register memory location 00FE.
[B]	Contents of RAM data memory location indicated by B pointer.
[B+]	Same as [B], except that B pointer is post-incremented.
[B-]	Same as [B], except that B pointer is post-decremented.
C	Carry flag, located in bit 6 of the PSW register at memory location 00EF Hex.
HC	Half Carry flag, located in bit 7 of the PSW register at memory location 00EF Hex.
MA	8-bit memory address for RAM data store memory.
MD	Memory Direct, which may be represented by an implicit label (B, X, SP), a defined label (TEMP, COUNTER, etc.), or a direct memory address (12, 0EF, 027, etc., where a leading 0 indicates hexadecimal).

PC	Program Counter (15 bits, with a program memory addressing range of 32768).
PCU	Program Counter Upper, which contains the upper 7 bits of PC.
PCL	Program Counter Lower, which contains the lower 8 bits of PC.
PSW	Processor Status Word Register, found at memory location 00EF.
REG	Selected Register (1 of 16) from the RAM data store memory at addresses 00F0-00FF.
REG#	# of memory register to be used (# = 0-F hexadecimal).
#	# symbol is used to indicate an immediate value, with a leading zero (0) indicating hexadecimal.

EXAMPLES:

#045 = immediate value of hexadecimal 45

#45 = immediate value of decimal 45

may also be used to indicate bit position, where # = 0-7

EXAMPLE:

RBIT #, [B]

SP	Stack Pointer, located in RAM register memory location 00FD.
X	X pointer, located in RAM register memory location 00FC.
[X]	Contents of RAM data memory location indicated by the X pointer.
[X+]	Same as [X], except that the X pointer is post-incremented.
[X-]	Same as [X], except that the X pointer is post-decremented.

8.5.1 ADC— Add with Carry

Syntax: a) ADC A,[B]

b) ADC A,#

c) ADC A,MD

Description: The contents of

a) the data memory location referenced by the **B** pointer

b) the immediate value found in the second byte of the instruction

c) the data memory location referenced by the second byte of the instruction

are added to the contents of the accumulator, and the result is simultaneously incremented if the Carry flag is found previously set. The result is placed back in the accumulator, and the Carry flag is either set or reset, depending on the presence or absence of a carry from the result. Similarly, the Half Carry flag is either set or reset, depending on the presence or absence of a carry from the low-order nibble.

Operation: $A \leftarrow A + \text{VALUE} + C$

$C \leftarrow \text{CARRY}; \text{HC} \leftarrow \text{HALF CARRY}$

Instruction	Addressing Mode	Instruction Cycle	Bytes	Hex Op Code
ADC A,[B]	Register Indirect (B Pointer)	1	1	80
ADC A,#	Immediate	2	2	90/Imm #
ADC A,MD	Memory Direct	4	3	BD/MA/80

8.5.2 ADD — Add

Syntax:

- a) ADD A,[B]
- b) ADD A,MD
- c) ADD A,#

Description:

- a) The contents of the data memory location referenced by the **B** pointer
- b) the address in the second byte of the instruction
- c) the immediate value found in the second byte of the instruction

are added to the contents of the accumulator, and the result is placed back in the accumulator. The Carry and Half Carry flags are not changed.

Operation: $A \leftarrow A + \text{VALUE}$

Instruction	Addressing Mode	Instruction Cycles	Bytes	Hex Op Code
ADD A,[B]	Register Indirect (B Pointer)	1	1	84
ADD A,MD	Memory Direct	4	3	BD/MA/84
ADD A,#	Immediate	2	2	94/Imm.#

8.5.3 AND — And

Syntax:

- a) AND A,[B]
- b) AND A,#
- c) AND A,MD

Description: An AND operation is performed on corresponding bits of the accumulator and

- a) the contents of the data memory location referenced by the **B** pointer.
- b) the immediate value found in the second byte of the instruction.
- c) the contents of the data memory location referenced by the address in the second byte of the instruction.

The result is placed back in the accumulator.

Operation: $A \leftarrow A \text{ AND VALUE}$

Instruction	Addressing Mode	Instruction Cycles	Bytes	Hex Op Code
AND A,[B]	Register Indirect (B Pointer)	1	1	85
AND A,#	Immediate	2	2	95/Imm.#
AND A,MD	Memory Direct	4	3	BD/MA/85

8.5.4 CLR — Clear Accumulator

Syntax: CLR A

Description: The accumulator is cleared to all zeros.

Operation: $A \leftarrow 0$

Instruction	Addressing Mode	Instruction Cycle	Bytes	Hex Op Code
CLR A	Implicit	1	1	64

8.5.5 DCOR — Decimal Correct

Syntax: DCOR A

Description: This instruction when used following an ADC (add with carry) or SUBC (subtract with carry) instruction will decimal correct the result from the binary addition or subtraction. Note that the ADC instruction must be preceded with an ADD A, #066 (add hexadecimal 66) instruction for the decimal addition correction. This instruction assumes that the two operands are in BCD (Binary Coded Decimal) format and produces the result in the same BCD format. The Carry and Half Carry flags remain unchanged.

Operation: A (BCD FORMAT) <- A (BINARY FORMAT)

Instruction	Addressing Mode	Instruction Cycles	Bytes	Hex Op Code
DCOR A	Implicit	1	1	66

8.5.6 DEC — Decrement Accumulator

Syntax: DECA

Description: This instruction decrements the contents of the accumulator and places the result back in the accumulator. The Carry and Half Carry flags remain unchanged.

Operation: $A \leftarrow A - 1$

Instruction	Addressing Mode	Instruction Cycles	Bytes	Hex Op Code
DEC A	Implicit	1	1	8B

8.5.7 DRSZ REG# — Decrement Register and Skip if Result is Zero

Syntax: DRSZ REG#

Description: This instruction decrements the contents of the selected memory register (selected by #, where # = 0 to F) and places the result back in the same register. If the result is zero, the next instruction is skipped. This instruction is useful where it is desired to repeat an instruction sequence a given number of times. The desired number of times that the instruction sequence is to be executed is placed in a register, and a DRSZ instruction with that register is coded at the end of the sequence followed by a JP (Jump Relative) instruction that branches back to the start of the instruction sequence. The JP branch-back instruction is executed each time around the instruction sequence loop until the register count is decremented down to zero, at which time the JP instruction is skipped as the program branches (skips) out of the loop.

Operation: REG <- REG - 1
 IF (REG - 1) = 0,
 THEN SKIP NEXT INSTRUCTION

Instruction	Addressing Mode	Instruction Cycles	Bytes	Hex Op Code
DRSZ REG#	Register Direct (Implicit)	3	1	C (REG#)

8.5.8 IFBIT — Test Memory Bit

Syntax: a) IFBIT #,[B]
 b) IFBIT #,MD

Description: The selected bit (# = 0 to 7, with 7 being high-order) from the data memory location referenced by the

a) **B** pointer is tested.

b) address in the second byte of the instruction is tested.

If the selected bit is high (=1), then the next instruction is executed. Otherwise, the next instruction is skipped.

Operation: IF BIT (#) SELECTED FROM MEMORY
 IS EQUAL TO 0,
 THEN SKIP NEXT INSTRUCTION

Instruction	Address Mode	Instruction Cycle	Bytes	Hex Op Code
IFBIT #,[B]	Register Indirect (B Pointer)	1	1	7#
IFBIT #,MD	Memory Direct	4	3	BD/MA/7#

8.5.9 IFBNE # — If B Pointer Not Equal

Syntax: IFBNE #

Description: If the low-order nibble of the **B** pointer is not equal to # (where # = 0 to F), then the next instruction is executed. Otherwise, the next instruction is skipped. This instruction is useful where the **B** pointer is walked across a data field as part of a closed loop instruction sequence. The IFBNE instruction is coded at the end of the sequence followed by a JP (Jump Relative) instruction that branches back to the start of the instruction sequence. The # coded with the IFBNE represents the next address beyond the data field. The **B** pointer instruction with post-increment or decrement of the pointer may be used in walking across the data field in either direction. The instruction sequence branches back and repeats until the low-order nibble of the **B** pointer is found equal to the # (representing the next address beyond the data field), at which time the JP instruction is skipped as the program branches (skips) out of the loop.

Operation: IF **B** POINTER LOW-ORDER NIBBLE EQUALS #,
THEN SKIP NEXT INSTRUCTION

Instruction	Addressing Mode	Instruction Cycles	Bytes	Hex Op Code
IFBNE #	Implicit	1	1	4#

8.5.10 IFC — Test if Carry

Syntax: IFC

Description: The next Instruction is executed if the Carry flag is found set. Otherwise, the next instruction is skipped. The Carry flag is left unchanged.

Operation: IF NO CARRY ($C = 0$),
THEN SKIP NEXT INSTRUCTION

Instruction	Addressing Mode	Instruction Cycles	Bytes	Hex Op Code
IFC	Implicit	1	1	88

8.5.11 IFEQ — Test if Equal

- Syntax:
- a) IFEQ A,[B]
 - b) IFEQ A,#
 - c) IFEQ A,MD

- Description
- a) The contents of the data memory location referenced by the **B** pointer are compared for equality with the contents of the accumulator.
 - b) The immediate value found in the second byte of the instruction is compared for equality with the contents of the accumulator.
 - c) The contents of the data memory location referenced by the address in the second byte of the instruction are compared for equality with the contents of the accumulator.

A successful equality comparison results in the execution of the next instruction. Otherwise, the next instruction is skipped.

Operation: IF A ≠ VALUE
THEN SKIP NEXT INSTRUCTION

Instruction	Addressing Mode	Instruction Cycles	Bytes	Hex Op Code
IFEQ A,[B]	Register Indirect (B Pointer)	1	1	82
IFEQ A,#	Immediate	2	2	92/Imm.#
IFEQ A,MD	Memory Direct	4	3	BD/MA/82

8.5.12 IFGT — Test if Greater Than

Syntax:

- a) IFGT A,[B]
- b) IFGT A,#
- c) IFGT A,MD

Description:

- a) The contents of the accumulator are tested for being greater than the contents of the data memory location referenced by the **B** pointer.
- b) the immediate value found in the second byte of the instruction.
- c) the contents of the data memory location referenced by the address in the second byte of the instruction.

A successful greater than test results in the execution of the next instruction. Otherwise, the next instruction is skipped.

Operation:

IF $A \leq \text{VALUE}$
 THEN SKIP NEXT INSTRUCTION

Instruction	Addressing Mode	Instruction Cycles	Bytes	Hex Op Code
IFGT A,[B]	Register Indirect (B Pointer)	1	1	83
IFGT A,#	Immediate	2	2	93/Imm.#
IFGT A,MD	Memory Direct	4	3	BD/MA/83

8.5.13 IFNC — Test if No Carry

Syntax: IFNC

Description: The next instruction is executed if the Carry flag is found reset. Otherwise, the next instruction is skipped. The Carry flag is left unchanged.

Operation: IF CARRY (C=1),
THEN SKIP NEXT INSTRUCTION

Instruction	Addressing Mode	Instruction Cycles	Bytes	Hex Op Code
IFNC	Implicit	1	1	89

8.5.14 INC — Increment Accumulator

Syntax: INC A

Description: This instruction increments the contents of the accumulator and places the result back in the accumulator. The Carry and Half Carry flags remain unchanged.

Operation: $A \leftarrow A + 1$

Instruction	Addressing Mode	Instruction Cycles	Bytes	Hex Op Code
INC A	Implicit	1	1	8A

8.5.15 INTR — Interrupt (Software Trap)

Syntax: INTR

Description: This zero opcode software trap instruction first stores its return address in the data memory software stack and then branches to program memory location 00FF. This memory location is the common switching point for all COP8 Basic Family interrupts, both hardware and software. The program starting at memory location 00FF sorts out the priority of the various interrupts and then vectors to the correct interrupt service routine.

In order to save the return address, the contents of PCL (Lower 8 bits of PC) are transferred to the data memory location referenced by SP (Stack Pointer). SP is then decremented, followed by the contents of PCU (Upper 7 bits of PC) being transferred to the new data memory location referenced by SP. Then SP is again decremented to set up the software stack for the next interrupt or subroutine. The return address has now been saved on the software stack in data memory RAM.

The INTR instruction is not meant to be programmed explicitly, but rather to be automatically invoked when certain error conditions occur. The reading of undefined (non-existent) ROM program memory produces all zeros, which in turn invokes the INTR instruction. A similar software trap can be set up if the subroutine Stack Pointer (SP) is initialized to the data memory location at the top of user RAM space. Then if the software stack is ever overpopped (more subroutine or interrupt returns than calls), all ones will be returned from the undefined (non-existent) RAM. This will cause the program to return to the program address FFFF Hex, which in turn will read all zeros and once again invoke the software trap INTR instruction.

Two precautions must be observed when dealing with the software interrupt and its associated interrupt service routine. First, unlike the hardware interrupts, the software interrupt does not reset the GIE (Global Interrupt Enable) flag. Consequently, the COP8 Basic Family microcontrollers can be interrupted by other interrupt sources while servicing the software interrupt. Second, a RETSK (return and skip) instruction should be used when returning from the software interrupt service routine, rather than the normal return from interrupt (RETI) instruction. The RETI instruction simply returns to the INTR software instruction itself, resulting in an infinite program loop.

INTR — Interrupt (Software Trap)

Operation: [SP] <- PCL
 [SP - 1] <- PCU
 [SP - 2] : SET UP FOR NEXT STACK REFERENCE
 PC <- 0FF

Instruction	Addressing Mode	Instruction Cycles	Bytes	Hex Op Code
INTR	Implicit	7	1	00

8.5.16 JID — Jump Indirect

Syntax: JID

Description: The JID instruction uses the contents of the accumulator to point to an indirect vector table of program addresses. The contents of the accumulator are transferred to PCL (Lower 8 bits of PC), after which the data accessed from the program memory location addressed by PC is transferred to PCL. The program then jumps to the program memory location accessed by PC. It should be observed that PCU (Upper 7 bits of PC) is never changed during the JID instruction, so that the Jump Indirect must jump to a location in the current program memory page of 256 addresses. However, if the JID instruction is located at the last address of the page, the PC counter will have already incremented over the page boundary, and both accesses to program memory (vector table and the new instruction) will be fetched from the next page of 256 bytes.

Operation: PCL <- A
PCL <- ROM (PCU,A)

Instruction	Addressing Mode	Instruction Cycles	Bytes	Hex Op Code
JID	Indirect	3	1	A5

8.5.17 JMP — Jump Absolute

Syntax: JMP ADDR

Description: This instruction jumps to the programmed memory address. The value found in the lower nibble (4 bits) of the first byte of the instruction is transferred to the lower nibble of PCU (Upper 7 bits of PC), and then the value found in the second byte of the instruction is transferred to PCL (Lower 8 bits of PC). The program then jumps to the program memory location accessed by PC.

It should be noted that the upper 3 bits of PC (12-14) are not changed, so the Jump Absolute instruction must jump to an address located in the current 4-Kbyte program memory segment. However, if a JMP instruction is programmed in the last address of the memory segment, the PC counter will have already incremented over the memory segment boundary; therefore, the jump is to a memory location in the following 4-Kbyte memory segment.

Operation: PC11-8 <- HIADDR (LOW NIBBLE OF FIRST BYTE OF INSTRUCTION)
 PC7-0 <- LOADDR (SECOND BYTE OF INSTRUCTION)

Instruction	Addressing Mode	Instruction Cycles	Bytes	Hex Op Code
JMP ADDR	Absolute	3	2	2HIADDR/LOADDR

8.5.18 JMPL — Jump Absolute Long

Syntax: JMPL ADDR

Description: The JMPL instruction allows branching to anywhere in the 32-Kbyte program memory space. The values found in the second and third bytes of the instruction are transferred to PCU (Upper 7 bits of PC) and PCL (Lower 8 bits of PC) respectively. The program then jumps to the program memory location accessed by PC.

Operation: PC14-8 <- HIADDR (SECOND BYTE OF INSTRUCTION)
PC7-0 <- LOADDR (THIRD BYTE OF INSTRUCTION)

Instruction	Addressing Mode	Instruction Cycles	Bytes	Hex Op Code
JMPL ADDR	Absolute	4	3	AC/HIADDR/LOADDR

8.5.19 JP — Jump Relative

Syntax: JP DISP

Description: The relative displacement value found in the instruction opcode (all 8 bits) is added to the Program Counter (PC). The normal PC incrementation is also performed. The displacement value allows a branch back from 0 to 31 places (with the 0 representing an infinite closed loop branch to itself) and a branch forward from 2 to 32 places. A branch forward of 1 is not allowed, since this zero opcode conflicts with the INTR software trap instruction.

Operation: $PC \leftarrow PC + DISP + 1$ (DISP \neq 0)

Instruction	Addressing Mode	Instruction Cycles	Bytes	Hex Op Code
JP DISP	Relative	3	1	0, 1, E, F + DISP #

8.5.20 JSR — Jump Subroutine

Syntax: JSR ADDR

Description: This instruction pushes the return address onto the software stack in data memory and then jumps to the subroutine address. The contents of PCL (Lower 8 bits of PC) are transferred to the data memory location referenced by SP (Stack Pointer). SP is then decremented, followed by the contents of PCU (Upper 7 bits of PC) being transferred to the new data memory location referenced by SP. The return address has now been saved on the software stack in data memory RAM. Then SP is again decremented to set up the software stack reference for the next subroutine.

Next, the value found in the lower nibble (4 bits of the first byte of the instruction) is transferred to the lower nibble of PCU, and the value found in the second byte of the instruction is transferred to PCL. The program then jumps to the memory location accessed by PC. It should be noted that the upper 3 bits of PC (12-14) are not changed, so the subroutine must be located in the current 4-Kbyte program memory segment. If a JSR instruction is programmed in the last address of the memory segment, however, the PC counter will have already incremented over the memory segment boundary; therefore, the subroutine must be located in the next memory segment.

Operation: [SP] <- PCL
 [SP - 1] <- PCU
 [SP - 2]: SET UP FOR NEXT STACK REFERENCE
 PC11-8 <- HIADDR (LOW NIBBLE OF FIRST BYTE OF INSTRUCTION)
 PC7-0 <- LOADDR (SECOND BYTE OF INSTRUCTION)

Instruction	Addressing Mode	Instruction Cycles	Bytes	Hex Op Code
JSR ADDR	Absolute	5	2	3HIADDR/LOADDR

8.5.21 JSRL — Jump Subroutine Long

Syntax: JSRL ADDR

Description: The JSRL instruction allows the subroutine to be located anywhere in the 32-Kbyte program memory space. The instruction pushes the return address onto the software stack in data memory and then jumps to the subroutine address.

The contents of PCL (Lower 8 bits of PC) are transferred to the data memory location referenced by SP (Stack Pointer). SP is then decremented, followed by the contents of PCU (Upper 7 bits of PC) being transferred to the new data memory location referenced by SP. The return address is now saved on the software stack in data memory RAM. Then SP is again decremented to set up the software stack reference for the next subroutine.

Next, the values found in the second and third bytes of the instruction are transferred to PCU and PCL respectively. The program then jumps to the program memory location accessed by PC.

Operation: [SP] <- PCL
 [SP - 1] <- PCU
 [SP - 2]: SET UP FOR NEXT STACK REFERENCE
 PC14-8 <- HIADDR (SECOND BYTE OF INSTRUCTION)
 PC7-0 <- LOADDR (THIRD BYTE OF INSTRUCTION)

Instruction	Addressing Mode	Instruction Cycles	Bytes	Hex Op Code
JSRL ADDR	Absolute	5	3	AD/HIADDR/LOADDR

8.5.22 LAID — Load Accumulator Indirect

Address Mode: INDIRECT

Description: The LAID instruction uses the contents of the accumulator to point to a fixed data table stored in program memory. The data table usually represents a translation matrix, such as the input from a keyboard or the output to a display.

The contents of the accumulator are exchanged with the contents of PCL (Lower 8 bits of PC). The data accessed from the program memory location addressed by PC is then transferred to the accumulator. Simultaneously, the original contents of PCL are transferred back to PCL from the accumulator. It should be observed that PCU (Upper 7 bits of PC) is not changed during the LAID instruction, so that the load accumulator indirect along with the associated fixed data table must both be located in the current memory page of 256 bytes. However, if the LAID instruction is located at the last address of the page, the PC counter will have already incremented over the page boundary resulting in the operand being fetched from the next page. Consequently, in this instance, the fixed data table must reside in the next page of 256 bytes in the program memory.

Operation: A <- ROM (PCU, A)

Instruction	Addressing Mode	Instruction Cycles	Bytes	Hex Op Code
LAID	Indirect	3	1	A4

8.5.23 LD — Load Accumulator

Syntax:

- a) LD A,[B]
- b) LD A,[B+]
- c) LD A,[B-]
- d) LD A,#
- e) LD A,MD
- f) LD A,[X]
- g) LD A,[X+]
- h) LD A,[X-]

Description:

- a) The contents of the data memory location referenced by the **B** pointer are loaded into the accumulator.
- b) The contents of the data memory location referenced by the **B** pointer are loaded into the accumulator, and then the **B** pointer is post-incremented.
- c) The contents of the data memory location referenced by the **B** pointer are loaded into the accumulator, and then the **B** pointer is post-decremented.
- d) The immediate value found in the second byte of the instruction is loaded into the accumulator.
- e) The contents of the data memory location referenced by the address in the second byte of the instruction are loaded into the accumulator.
- f) The contents of the data memory location referenced by the **X** pointer are loaded into the accumulator.
- g) The contents of the data memory location referenced by the **X** pointer are loaded into the accumulator, and then the **X** pointer is post-incremented.
- h) The contents of the data memory location referenced by the **X** pointer are loaded into the accumulator, and then the **X** pointer is post-decremented.

Operation: A <- VALUE

Instruction	Addressing Mode	Instruction Cycles	Bytes	Hex Op Code
LD A,[B]	Register Indirect (B Pointer)	1	1	AE
LD A,[B+]	Register Indirect With Post-Incrementing B Pointer	2	1	AA
LD A,[B-]	Register Indirect With Post-Decrementing B Pointer	2	1	AB
LD A,#	Immediate	2	2	98/Imm.#
LD A,MD	Memory Direct	3	2	9D/MA
LD A,[X]	Register Indirect (X Pointer)	3	1	BE
LD A,[X+]	Register Indirect With Post-Incrementing X Pointer	3	1	BA
LD A,[X-]	Register Indirect With Post-Decrementing X Pointer	3	1	BB

8.5.24 LD — Load B Pointer

Syntax: LD B,# (# < 16)

Description: The one's complement of the value found in the lower nibble (4 bits) of the instruction is transferred to the lower-nibble position of the **B** pointer register, with the upper-nibble position being cleared to all zeros.

Operation: B3-0 <- (15 - #) (1's complement of #)
B7-4 <- 0

Instruction	Addressing Mode	Instruction Cycles	Bytes	Hex Op Code
LD B,#	Short Immediate	1	1	5(15-#)

8.5.25 LD — Load Memory

Syntax:

- a) LD [B],#
- b) LD [B+],#
- c) LD [B-],#
- d) LD MD,#

Description:

- a) The immediate value found in the second byte of the instruction is loaded into the data memory location referenced by the **B** pointer.
- b) The immediate value found in the second byte of the instruction is loaded into the data memory location referenced by the **B** pointer, and then the **B** pointer is post-incremented.
- c) The immediate value found in the second byte of the instruction is loaded into the data memory location referenced by the **B** pointer, and then the **B** pointer is post-decremented.
- d) The immediate value found in the third byte of the instruction is loaded into the data memory location referenced by the address in the second byte of the instruction.

Operation:

- a) [B] <- #
- b) [B] <- #; B <- B + 1
- c) [B] <- #; B <- B - 1
- d) MD <- #

Instruction	Addressing Mode	Instruction Cycles	Bytes	Hex Op Code
LD [B],#	Register Indirect/Immediate	2	2	9E/Imm.#
LD [B+],#	Register Indirect With Post-Incrementing/Immediate	2	2	9A/Imm.#
LD [B-],#	Register Indirect With Post-Decrementing/Immediate	2	2	9B/Imm.#
LD MD,#	Memory Direct/Immediate	3	3	BC/MA/Imm.#

8.5.26 LD — Load Register

Syntax: LD REG,#

Description: The immediate value found in the second byte of the instruction is loaded into the data memory register referenced by the low-order nibble of the first byte of the instruction.

Operation: REG <- #

Instruction	Addressing Mode	Instruction Cycles	Bytes	Hex Op Code
LD REG,#	Implicit/Immediate	3	2	D(REG#)/Imm.#

8.5.27 NOP — No Operation

Syntax: NOP

Description: No operation is performed by this instruction, so the net result is a delay of one instruction cycle time.

Operation: NO OPERATION

Instruction	Addressing Mode	Instruction Cycles	Bytes	Hex Op Code
NOP	Implicit	1	1	B8

8.5.28 OR — Or

Syntax: a) OR A,[B]
 b) OR A,#
 c) OR A,MD

Description: An OR operation is performed on corresponding bits of the accumulator with

- a) the contents of the data memory location referenced by the **B** pointer.
- b) the immediate value found in the second byte of the instruction.
- c) the contents of the data memory location referenced by the address in the second byte of the instruction.

The result is placed back in the accumulator.

Operation: A <- A **OR** VALUE

Instruction	Addressing Mode	Instruction Cycles	Bytes	Hex Op Code
OR A,[B]	Register Indirect (B Pointer)	1	1	87
OR A,#	Immediate	2	2	97/Imm.#
OR A,MD	Memory Direct	4	3	BD/MA/87

8.5.29 RBIT — Reset Memory Bit

Syntax: a) RBIT #,[B]
 b) RBIT #,MD

Description: The selected bit (# = 0 to 7, with 7 being high-order) of the data memory location referenced by the

- a) **B** pointer is reset to 0.
- b) address in the second byte of the instruction is reset to 0.

Operation: [Address:#] <- 0

Instruction	Addressing Mode	Instruction Cycles	Bytes	Hex Op Code
RBIT #,[B]	Register Indirect (B Pointer)	1	1	6(8 + #)
RBIT #,MD	Memory Direct	4	3	BD/MA/6(8+#)

8.5.30 RC — Reset Carry

Syntax: RC

Description: Both the Carry and Half Carry flags are reset to 0.

Operation: C <- 0
HC <- 0

Instruction	Addressing Mode	Instruction Cycles	Bytes	Hex Op Code
RC	Implicit	1	1	A0

8.5.31 RET — Return from Subroutine

Syntax: RET

Description: The Stack Pointer (SP) is first incremented. The contents of the data memory location referenced by SP are then transferred to PCU (Upper 7 bits of PC), after which SP is again incremented. Next, the contents of the data memory location referenced by SP are transferred to PCL (Lower 8 bits of PC). The return address has now been retrieved from the software stack in data memory RAM. The program now jumps to the program memory location accessed by PC.

Operation: PCU <- [SP + 1]

PCL <- [SP + 2]

[SP + 2] : SET UP FOR NEXT STACK REFERENCE

Instruction	Addressing Mode	Instruction Cycles	Bytes	Hex Op Code
RET	Implicit	5	1	8E

8.5.32 RETI — Return from Interrupt

Syntax: RETI

Description: The Stack Pointer (SP) is first incremented. The contents of the data memory location referenced by SP are then transferred to PCU (Upper 7 bits of PC), and SP is again incremented. Next, the contents of the data memory location referenced by SP are transferred to PCL (Lower 8 bits of PC). The return address has now been retrieved from the software stack in data memory RAM. The program now jumps to the program memory location accessed by PC. The Global Interrupt Enable flag (GIE) is set to 1.

Operation: PCU <- [SP + 1]
 PCL <- [SP + 2]
 [SP + 2] : SET UP FOR NEXT STACK REFERENCE
 GIE <- 1

Instruction	Addressing Mode	Instruction Cycles	Bytes	Hex Op Code
RETI	Implicit	5	1	8F

8.5.33 RETSK — Return and Skip

Syntax: RETSK

Description: The Stack Pointer (SP) is first incremented. The contents of the data memory location referenced by SP are then transferred to PCU (Upper 7 bits of PC), and SP is again incremented. Next, the contents of the data memory location referenced by SP are transferred to PCL (Lower 8 bits of PC). The return address has now been retrieved from the software stack in data memory RAM. The program now jumps to and then skips the instruction in the program memory location accessed by PC.

Operation: PCU <- [SP + 1]
 PCL <- [SP + 2]
 [SP + 2] : SET UP FOR NEXT STACK REFERENCE
 SKIP NEXT INSTRUCTION

Instruction	Addressing Mode	Instruction Cycles	Bytes	Hex Op Code
RETSK	Implicit	5	1	8D

8.5.34 RRC — Rotate Accumulator Right Through Carry

Address Mode: RRC A

Description: The contents of the accumulator and Carry flag are rotated right one bit position, with the Carry flag serving as a ninth bit position linking the ends of the 8-bit accumulator. The previous carry is transferred to the high-order bit position of the accumulator. The low-order accumulator bit (A0) is transferred to both the Carry flag and the Half Carry flag.

Operation: C -> A7 -> A6 -> A5 -> A4 -> A3 -> A2 -> A1 -> A0 -> C
A0 -> HC

Instruction	Addressing Mode	Instruction Cycles	Bytes	Hex Op Code
RRC A	Implicit	1	1	B0

8.5.35 SBIT — Set Memory Bit

Syntax: a) SBIT #,[B]
 b) SBIT #,MD

Description: The selected bit (# = 0 to 7, with 7 being high-order) of the data memory location referenced by the

- a) **B** pointer is set to 1.
- b) address in the second byte of the instruction is set to 1.

Operation: [Address:#] <- 1

Instruction	Addressing Mode	Instruction Cycles	Bytes	Hex Op Code
SBIT #,[B]	Register Indirect (B Pointer)	1	1	7(8 + #)
SBIT #,MD	Memory Direct	4	3	BD/MA/7(8+#)

8.5.36 SC — Set Carry

Syntax: SC

Description: Both the Carry and Half Carry flags are set to 1.

Operation: C <- 1
HC <- 1

Instruction	Addressing Mode	Instruction Cycles	Bytes	Hex Op Code
SC	Implicit	1	1	A1

8.5.37 SUBC — Subtract with Carry

- Syntax:
- a) SUBC A,[B]
 - b) SUBC A,#
 - c) SUBC A,MD

- Description:
- a) The contents of the data memory location referenced by the **B** pointer are subtracted from the contents of the accumulator, and the result is simultaneously decremented if the Carry flag is found previously reset.
 - b) The immediate value found in the second byte of the instruction is subtracted from the contents of the accumulator, and the result is simultaneously decremented if the Carry flag is found previously reset.
 - c) The contents of the data memory location referenced by the address in the second byte of the instruction are subtracted from the contents of the accumulator, and the result is simultaneously decremented if the Carry flag is found previously reset.

The result is placed back in the accumulator, and the Carry flag is either reset or set, depending on the presence or absence of a borrow from the result. Similarly, the Half Carry flag is either reset or set, depending on the presence or absence of a borrow from the low-order nibble.

This instruction is implemented by adding the one's complement of the subtrahend to the accumulator and then incrementing the result. Consequently, the borrow is the equivalent of the absence of carry and vice versa. Similarly, the half carry is the equivalent of the absence of half borrow and vice versa. A previous borrow (absence of previous carry) will inhibit the incrementation of the result.

- Operation:
- A <- A - VALUE - \bar{C}
 - C <- ABSENCE OF BYTE BORROW
 - HC <- ABSENCE OF LOW NIBBLE HALF BORROW

Instruction	Addressing Mode	Instruction Cycles	Bytes	Hex Op Code
SUBC A,[B]	Register Indirect (B Pointer)	1	1	81
SUBC A,#	Immediate	2	2	91/Imm.#
SUBC A,MD	Memory Direct	4	3	BD/MA/81

8.5.38 SWAP — Swap Nibbles of Accumulator

Syntax: SWAP A

Description: The upper and lower nibbles of the accumulator are exchanged.

Operation: $A(7-4) \leftrightarrow A(3-0)$

Instruction	Addressing Mode	Instruction Cycles	Bytes	Hex Op Code
SWAP A	Implicit	1	1	65

8.5.39 X — Exchange Memory with Accumulator

- Syntax:
- a) X A,[B]
 - b) X A,[B+]
 - c) X A,[B-]
 - d) X A,MD
 - e) X A,[X]
 - f) X A,[X+]
 - g) X A,[X-]
- Description:
- a) The contents of the data memory location referenced by the **B** pointer are exchanged with the contents of the accumulator.
 - b) The contents of the data memory location referenced by the **B** pointer are exchanged with the contents of the accumulator, and then the **B** pointer is post-incremented.
 - c) The contents of the data memory location referenced by the **B** pointer are exchanged with the contents of the accumulator, and then the **B** pointer is post-decremented.
 - d) The contents of the data memory location referenced by the address in the second byte of the instruction are exchanged with the contents of the accumulator.
 - e) The contents of the data memory location referenced by the **X** pointer are exchanged with the contents of the accumulator.
 - f) The contents of the data memory location referenced by the **X** pointer are exchanged with the contents of the accumulator, and then the **X** pointer is post-incremented.
 - g) The contents of the data memory location referenced by the **X** pointer are exchanged with the contents of the accumulator, and then the **X** pointer is post-decremented.
- Operation:
- a) $A \leftrightarrow [B]$
 - b) $A \leftrightarrow B; B \leftarrow B + 1$
 - c) $A \leftrightarrow B; B \leftarrow B - 1$
 - d) $A \leftrightarrow MD$
 - e) $A \leftrightarrow X;$

f) $A \leftrightarrow X; X \leftarrow X + 1$ g) $A \leftrightarrow X; X \leftarrow X - 1$

Instruction	Addressing Mode	Instruction Cycles	Bytes	Hex Op Code
X A,[B]	Register Indirect (B Pointer)	1	1	A6
X A,[B+]	Register Indirect With Post-Incrementing B Pointer	2	1	A2
X A,[B-]	Register Indirect With Post-Decrementing B Pointer	2	1	A3
X A,MD	Memory Direct	3	2	9C/MA
X A,[X]	Register Indirect (X Pointer)	3	1	B6
X A,[X+]	Register Indirect With Post-Incrementing X Pointer	3	1	B2
X A,[X-]	Register Indirect With Post-Decrementing X Pointer	3	1	B3

8.5.40 XOR — Exclusive Or

Syntax:

- a) XOR A,[B]
- b) XOR A,#
- c) XOR A,MD

Description: An XOR (Exclusive OR) operation is performed on corresponding bits of the accumulator with

- a) the contents of the data memory location referenced by the **B** pointer.
- b) the immediate value found in the second byte of the instruction.
- c) the contents of the data memory location referenced by the address in the second byte of the instruction.

The result is placed back in the accumulator.

Operation: $A \leftarrow A \text{ XOR VALUE}$

Instruction	Addressing Mode	Instruction Cycles	Bytes	Hex Op Code
XOR A,[B]	Register Indirect (B Pointer)	1	1	86
XOR A,#	Immediate	2	2	96/Imm.#
XOR A,MD	Memory Direct	4	3	BD/MA/86

8.6 INSTRUCTION SET SUMMARY TABLES

8.6.1 Instruction Operations Summary

INSTR		FUNCTION	REGISTER OPERATION
ADD	A, MemI	Add	A ← A + MemI
ADC	A, MemI	Add with carry	A ← A + MemI + C, C ← Carry
SUBC	A, MemI	Subtract with carry	A ← A - MemI + C, C ← Carry
AND	A, MemI	Logical AND	A ← A and MemI
OR	A, MemI	Logical OR	A ← A or MemI
XOR	A, MemI	Logical Exclusive-OR	A ← A xor MemI
IFEQ	A, MemI	IF equal	Compare A and MemI, Do next if A = MemI
IFGT	A, MemI	IF greater than	Compare A and MemI, Do next if A > MemI
IFBNE	#	IF B not equal	Do next if lower 4 bits of B not = Imm
DRSZ	Reg	Decrement Reg, skip if zero	Reg ← Reg - 1, skip if Reg goes to zero
SBIT	#, Mem	Set bit	1 to Mem.bit (bit = 0 to 7 immediate)
RBIT	#, Mem	Reset bit	0 to Mem.bit (bit = 0 to 7 immediate)
IFBIT	#, Mem	If bit	If Mem.bit is true, do next instruction
X	A, Mem	Exchange A with memory	A ↔ Mem
LD	A, MemI	Load A with memory	A ← MemI
LD	Mem, Imm	Load Direct memory Immed.	Mem ← Imm
LD	Reg, Imm	Load Register memory immed.	Reg ← Imm
X	A, [B±]	Exchange A with memory [B]	A ↔ [B] (B ← B ± 1)
X	A, [X±]	Exchange A with memory [X]	A ↔ [X] (X ← X ± 1)
LD	A, [B±]	Load A with memory [B]	A ← [B] (B ← B ± 1)
LD	A, [X±]	Load A with memory [X]	A ← [X] (X ← X ± 1)
LD	[B±], Imm	Load memory immediate	[B] ← Imm (B ← B ± 1)
CLRA		Clear A	A ← 0
INC	A	Increment A	A ← A + 1
DEC	A	Decrement A	A ← A - 1
LAI		Load A indirect from ROM	A ← ROM(PU, A)
DCOR	A	Decimal correct A	A ← BCD correction (follows ADC, SUBC)
RRC	A	Rotate right through carry	C → A7 → ... → A0 → C
SWAP	A	Swap nibbles of A	A7...A4 ↔ A3...A0
SC		Set C	C ← 1
RC		Reset C	C ← 0
IFC		If C	If C is true, do next instruction
IFNC		If Not C	If C is not true, do next instruction
JMPL	Addr.	Jump absolute long	PC ← ii (ii = 15 bits, 0 to 32K)
JMP	Addr.	Jump absolute	PC11...PC0 ← i (i = 12 bits) PC15...PC12 remain unchanged
JP	Disp.	Jump relative short	PC ← PC + r (r is -31 to +32, not 1)
JSRL	Addr.	Jump subroutine long	[SP] ← PL, [SP - 1] ← PU, SP - 2, PC ← ii
JSR	Addr.	Jump subroutine	[SP] ← PL, [SP - 1] ← PU, SP - 2, PC11...PC0 ← ii
JID		Jump indirect	PL ← ROM(PU, A)
RET		Return from subroutine	SP + 2, PL ← [SP], PU ← [SP - 1]
RETSK		Return and skip	SP + 2, PL ← [SP], PU ← [SP - 1], Skip next instr.
RETI		Return from interrupt	SP + 2, PL ← [SP], PU ← [SP - 1], GIE ← 1
INTR		Generate an interrupt	[SP] ← PL, [SP - 1] ← PU, SP - 2, PC ← 0FF
NOP		No operation	PC ← PC + 1

8.6.2 Bytes and Cycles Per Instruction**Table 8-1** Instructions Using A and C

INSTR	BYTES/ CYCLES
CLRA	1/1
INCA	1/1
DECA	1/1
LAID	1/3
DCOR	1/1
RRCA	1/1
SWAPA	1/1
SC	1/1
RC	1/1
IFC	1/1
IFNC	1/1

Table 8-2 Transfer of Control Instructions

INSTR	BYTES/ CYCLES
JMPL	3/4
JMP	2/3
JP	1/3
JSRL	3/5
JSR	2/5
JID	1/3
RET	1/5
RETSK	1/5
RETI	1/5
INTR	1/7
NOP	1/1

Table 8-3 Memory Transfer Instructions

INSTR	REGISTER INDIRECT		DIREC T	IMMEDI- ATE	REGISTER INDIRECT AUTO INCR & DECR	
	[B]	[X]			[B+, B-]	[X+, X-]
X A, ^a	1/1	1/3	2/3		1/2	1/3
LD A, ^a	1/1	1/3	2/3	2/2	1/2	1/3
LD B, Imm				1/1 ^b		
LD B, Imm				2/3 ^c		
LD Mem, Imm	2/2		3/3		2/2	
LD Reg, Imm			2/3			

a. Memory location addressed by B or X or directly

b. IF B < 16

c. IF B > 15

Table 8-4 Arithmetic and Logic Instruction

INST R	[B]	DIREC T	IMMEDI- ATE
ADD	1/1	3/4	2/2
ADC	1/1	3/4	2/2
SUBC	1/1	3/4	2/2
AND	1/1	3/4	2/2
OR	1/1	3/4	2/2
XOR	1/1	3/4	2/2
IFEQ	1/1	3/4	2/2
IFGT	1/1	3/4	2/2
IFBNE	1/1		
DRSZ	1/1	1/3	
SBIT	1/1	3/4	
RBIT	1/1	3/4	
IFBIT	1/1	3/4	

Table 8-5 Opcodes

UPPER NIBBLE															
F	E	D	C	B	A	9	8	7	6	5	4	3	2	1	0
JP-15	JP-31	LD 0F0,#1	DRSZ 0F0	RRCA	RC	ADC A,#1	ADC A,[B]	IFBIT 0,[B]	*	LD B,#0F	IFBNE 0	JSR x000-x0FF	JMP x000-x0FF	JP+17	INTR 0
JP-14	JP-30	LD 0F1,#1	DRSZ 0F1	*	SC	SUBC A,#1	SUBC A,[B]	IFBIT 1,[B]	*	LD B,#0E	IFBNE 1	JSR x100-x1FF	JMP x100-x1FF	JP+18	JP+2 1
JP-13	JP-29	LD 0F2,#1	DRSZ 0F2	X A,[X+]	X A,[B+]	IFEQ A,#1	IFEQ A,[B]	IFBIT 2,[B]	*	LD B,#0D	IFBNE 2	JSR x200-x2FF	JMP x200-x2FF	JP+19	JP+3 2
JP-12	JP-28	LD 0F3,#1	DRSZ 0F3	X A,[X-]	X A,[B-]	IFGT A,#1	IFGT A,[B]	IFBIT 3,[B]	*	LD B,#0C	IFBNE 3	JSR x300-x3FF	JMP x300-x3FF	JP+20	JP+4 3
JP-11	JP-27	LD 0F4,#1	DRSZ 0F4	*	LAID	ADD A,#1	ADD A,[B]	IFBIT 4,[B]	CLRA	LD B,#0B	IFBNE 4	JSR x400-x4FF	JMP x400-x4FF	JP+21	JP+5 4
JP-10	JP-26	LD 0F5,#1	DRSZ 0F5	*	JID	AND A,#1	AND A,[B]	IFBIT 5,[B]	SWAPA	LD B,#0A	IFBNE 5	JSR x500-x5FF	JMP x500-x5FF	JP+22	JP+6 5
JP-9	JP-25	LD 0F6,#1	DRSZ 0F6	X A,[X]	X A,[B]	XOR A,#1	XOR A,[B]	IFBIT 6,[B]	DCORA	LD B,#09	IFBNE 6	JSR x600-x6FF	JMP x600-x6FF	JP+23	JP+7 6
JP-8	JP-24	LD 0F7,#1	DRSZ 0F7	*	*	OR A,#1	OR A,[B]	IFBIT 7,[B]	*	LD B,#08	IFBNE 7	JSR x700-x7FF	JMP x700-x7FF	JP+24	JP+8 7
JP-7	JP-23	LD 0F8,#1	DRSZ 0F8	NOP	*	LD A,#1	IFC	SBIT 0,[B]	RBIT 0,[B]	LD B,#07	IFBNE 8	JSR x800-x8FF	JMP x800-x8FF	JP+25	JP+9 8
JP-6	JP-22	LD 0F9,#1	DRSZ 0F9	*	*	*	IFNC	SBIT 1,[B]	RBIT 1,[B]	LD B,#06	IFBNE 9	JSR x900-x9FF	JMP x900-x9FF	JP+26	JP+10 9
JP-5	JP-21	LD 0FA,#1	DRSZ 0FA	LD A,[X+]	LD A,[B+]	LD [B+],#1	INCA	SBIT 2,[B]	RBIT 2,[B]	LD B,#05	IFBNE 0A	JSR xA00-xAFF	JMP xA00-xAFF	JP+27	JP+11 A
JP-4	JP-20	LD 0FB,#1	DRSZ 0FB	LD A,[X-]	LD A,[B-]	LD [B-],#1	DECA	SBIT 3,[B]	RBIT 3,[B]	LD B,#04	IFBNE 0B	JSR xB00-xBFF	JMP xB00-xBFF	JP+28	JP+12 B
JP-3	JP-19	LD 0FC,#1	DRSZ 0FC	LD M _d ,#1	JMPL	X A,M _d	*	SBIT 4,[B]	RBIT 4,[B]	LD B,#03	IFBNE 0C	JSR xC00-xCFF	JMP xC00-xCFF	JP+29	JP+13 C
JP-2	JP-18	LD 0FD,#1	DRSZ 0FD	DIR	JSRL	LD A,M _d	RETSK	SBIT 5,[B]	RBIT 5,[B]	LD B,#02	IFBNE 0D	JSR xD00-xDFF	JMP xD00-xDFF	JP+30	JP+14 D
JP-1	JP-17	LD 0FE,#1	DRSZ 0FE	LD A,[X]	LD A,[B]	LD [B],#1	RET	SBIT 6,[B]	RBIT 6,[B]	LD B,#01	IFBNE 0E	JSR xE00-xEFF	JMP xE00-xEFF	JP+31	JP+15 E
JP-0	JP-16	LD 0FF,#1	DRSZ 0FF	*	*	*	RETI	SBIT 7,[B]	RBIT 7,[B]	LD B,#00	IFBNE 0F	JSR xF00-xFFF	JMP xF00-xFFF	JP+32	JP+16 F

where: I is the immediate data — M_d is a directly addressed memory location — * is an unused opcode

COP912C/COP820C/COP840C/COP880C

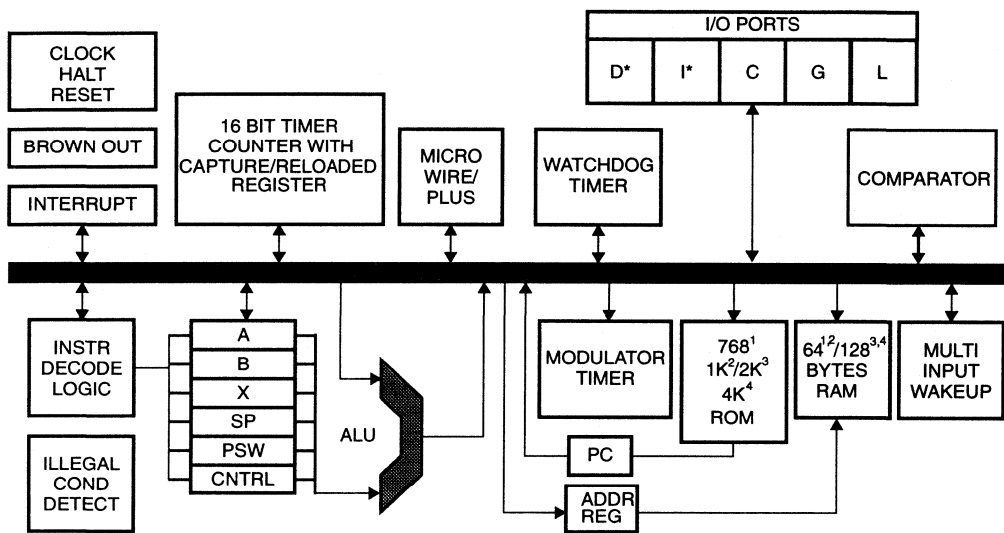
9.1 INTRODUCTION

The COP912C/COP820C/COP840C/COP880C are members of the COPS microcontroller family. They are fully static parts, fabricated using double-metal silicon gate microCMOS technology. These low cost microcontrollers are each a complete microcomputer containing all system timing, interrupt logic, ROM, RAM and I/O necessary to implement dedicated control functions in a variety of applications. Features include an 8-bit memory-mapped architecture, MICROWIRE/PLUS serial I/O, a 16-bit timer/counter with capture/reload register and a multi-sourced interrupt. Each I/O pin has software selectable options to adapt the device to specific applications. Several versions of the part are available that operate over different voltage and temperature ranges. Refer to the datasheet for more specific information. High throughput is achieved with an efficient instruction set operating at a rate of 1 microsecond (COP912C a minimum of 2 microseconds) per instruction cycle.

This chapter discusses the device specifics of the COP912C/COP820C/COP840C/COP880C microcontrollers. Information relevant to all COP8 Basic Family members is not covered in this chapter, but may be found in the first eight chapters of this manual. In this chapter, the term “COP880” refers to all COP880C packages, including the COP881C. “COP840” refers to all COP840C packages, including the COP842C. “COP820” refers to all COP820C packages, including the COP822C. “COP912” refers to all COP912C packages, including COP912CH.

9.2 BLOCK DIAGRAM

The diagram in Figure 9-1 shows the basic functional blocks associated with the devices. These blocks include the Arithmetic Logic Unit (ALU), Timer, MICROWIRE/PLUS, I/O ports, and on-chip memory.



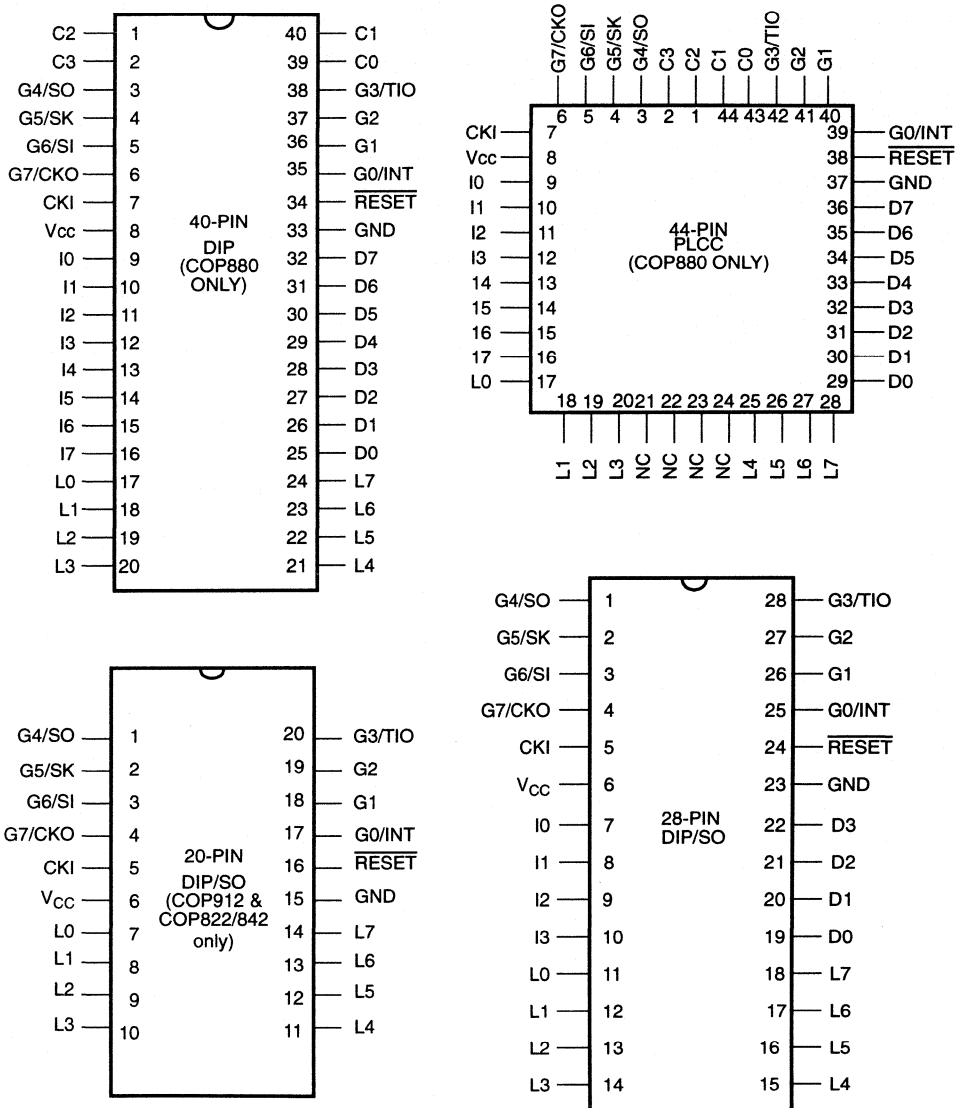
- 1 COP912
- 2 COP820, COP8620 (64 Bytes RAM, 64 Bytes EE)
- 3 COP840, COP8640 (64 Bytes RAM, 64 Bytes EE)
- 4 COP880
- * Not Available on COP912

COP800-12

Figure 9-1 COP912/820/840/880 Block Diagram

9.3 DEVICE PINOUT/PACKAGES

The COP912 is available in 20-pin DIP and 20-pin SO packages. The COP820 and COP840 are available in 20-pin DIP, 20-pin SO, 28-pin DIP, and 28-pin SO packages. The COP880 is available in 28-pin DIP, 28-pin SO, 40-pin DIP and 44-pin PLCC packages. Figure 9-2 shows the COP912/820/840/880 device package pinouts.



COP800-13

Figure 9-2 Device Package Pinouts

Refer to the COP912, COP820/840 and COP880 datasheets for more information on the device packages.

9.4 PIN DESCRIPTIONS

The COP912/820/840/880 have four dedicated function pins: V_{CC} , GND, CKI and $\overline{\text{RESET}}$. All other pins are available as general purpose inputs/outputs or as defined by their alternate functions. V_{CC} and GND function as the power supply pins. $\overline{\text{RESET}}$ is used as the master reset input, and CKI is used as a dedicated clock input. Table 9-1 lists the pin name, type, number and function of all COP912/820/840/880 signals.

9.5 INPUT/OUTPUT PORTS

The number of I/O ports available on the COP912/820/840/880 devices depends on package type. The COP912/820/840 20-pin packages have only a Port L and Port G. The 28-pin COP820/840/880 parts have a Port L, Port G, Port I and Port D. The 40- and 44-pin COP880 packages have a Port C in addition to the ports available on the 28-pin packages. All common COP8 ports are described in Chapter 7 of this manual. However, a brief description of each port is included in this section.

Port C, where available (40 pin DIP and 44 pin PLCC packages), is a 4-bit reconfigurable I/O port. The port is configured by writing to the Port C configuration and data registers as described in Section 2.5.3. Reading bits 4 - 7 of the Port C registers and input pins returns undefined data. It is the user's responsibility to mask out the upper four bits when reading Port C. This is accomplished by simply ANDing the Port C data with the value 000F Hex. This will ensure that the upper four bits of the Port C data are cleared. The Port C pins have not been assigned alternate functions.

Port D, where available, is a 4-bit (28 pin DIP/SO) or 8-bit (40 pin DIP and 44 pin PLCC) output only port. When writing an 8-bit quantity to devices which only have a 4-bit D Port, only the lower four bits are used. The Port D pins have no alternate functions.

Port G is an 8-bit reconfigurable I/O port. Pins 0 - 5 of the port are configured by writing to the Port G configuration and data registers as described in Section 2.5.3. Pin G6 is a dedicated input pin. Pin G7 is either an input or output, depending on the oscillator mask option selected. The Port G pins have the following alternate functions:

- G0 INTR (External Interrupt Input)
- G1 No alternate function
- G2 No alternate function
- G3 Timer 1 I/O
- G4 S0 (MICROWIRE/PLUS Serial Data Output)
- G5 SK (MICROWIRE/PLUS Clock I/O)
- G6 SI (MICROWIRE/PLUS Serial Data Input)

Table 9-1 COP912/820/840/880 Pin Assignments

PORT	TYPE	ALTERNATE FUNCTION	20 PIN DIP/SO	28 PIN DIP/SO	40 PIN DIP	44 PIN PLCC
L0	I/O		7	11	17	17
L1	I/O		8	12	18	18
L2	I/O		9	13	19	19
L3	I/O		10	14	20	20
L4	I/O		11	15	21	25
L5	I/O		12	16	22	26
L6	I/O		13	17	23	27
L7	I/O		14	18	24	28
G0	I/O	INTERRUPT	17	25	35	39
G1	I/O		18	26	36	40
G2	I/O		19	27	37	41
G3	I/O	TIO	20	28	38	42
G4	I/O	SO	1	1	3	3
G5	I/O	SK	2	2	4	4
G6	I	SI	3	3	5	5
G7	I/CKO	HALT RESTART	4	4	6	6
D0	O			19	25	29
D1	O			20	26	30
D2	O			21	27	31
D3	O			22	28	32
I0	I			7	9	9
I1	I			8	10	10
I2	I			9	11	11
I3	I			10	12	12
I4	I				13	13
I5	I				14	14
I6	I				15	15
I7	I				16	16
D4	O				29	33
D5	O				30	34
D6	O				31	35
D7	O				32	36
C0	I/O				39	43
C1	I/O				40	44
C2	I/O				1	1
C3	I/O				2	2
VCC			6	6	8	8
GND			15	23	33	37
CKI			5	5	7	7
<u>RESET</u>			16	24	34	38

- G7 Dedicated CKO (Clock Output) with Crystal Oscillator Mask Option or HALT/Restart (Exit HALT Mode) with RC or External Oscillator Mask Option

Port I, where available, is a 4-bit (28 pin DIP/SO) or 8-bit (40 pin DIP and 44 pin PLCC) input-only port. All Port I pins are Hi-Z inputs. On the devices which only have a 4-bit Port I, reading bits 4 - 7 of Port I will return undefined data. The user should mask out the upper four bits on these devices. No alternate functions have been assigned to the Port I pins.

Port L is an 8-bit reconfigurable I/O port. The port is configured by writing to the Port L configuration and data registers as described in Section 2.5.3. The Port L pins have no alternate functions.

9.6 PROGRAM MEMORY

The COP912C, COP820C, COP840C and COP880C contain 768 bytes, 1K bytes, 2K bytes and 4K bytes of program memory, respectively. The program memory may contain either instructions or data constants, and is addressed by the 15-bit program counter (PC). The program memory can be indirectly read by the LAID (Load Accumulator Indirect) instruction for table lookup of constant data. All program memory for the COP912/820/840/880 devices is mask-programmed ROM.

9.7 DATA MEMORY

The COP912/820 has 64 bytes of RAM data memory. These 64 bytes are memory mapped into two different locations. The first 48 bytes are resident from address 0000 to 002F Hex, while the remaining 16 bytes (containing the register memory) are located from address 00F0 to 00FF Hex.

The COP840 and COP880 have 128 bytes of RAM data memory. These 128 bytes are memory mapped into two different locations. The first 112 bytes are resident from address 0000 to 006F Hex, while the remaining 16 bytes are located from address 00F0 to 00FF Hex.

Refer to Chapter 2 for details on the data memory architecture.

9.8 REGISTER BIT MAPS

The COP912/820/840/880 devices have two registers that contain hardware control flags and bits. These registers, CNTRL and PSW, are located in the COP8 core and are described in the CORE REGISTERS section of this manual. The bit maps for these registers are shown below.

The PSW register bits are:

- GIE Global interrupt enable (enables interrupts)
- ENI External interrupt enable

BUSY	MICROWIRE/PLUS busy shifting flag
IPND	External interrupt pending
ENTI	Timer 1 interrupt enable
TPND	Timer 1 interrupt pending (timer underflow or capture edge)
C	Carry Flip/Flop
HC	Half-Carry Flip/Flop

Table 9-2 PSW Register Bits

Bit 7	Bit 6	Bit 5	Bit 4	Bit 3	Bit 2	Bit 1	Bit 0
HC	C	TPND	ENTI	IPND	BUSY	ENI	GIE

The timer and MICROWIRE/PLUS control register bits are:

SL1 & SLO	Selects the MICROWIRE/PLUS clock divide-by (00=2,01=4,1x=8)
IEDG	External interrupt edge polarity (0 = rising edge, 1 = falling edge)
MSEL	Selects G5 and G4 as MICROWIRE/PLUS signals SK and SO
TRUN	Used to start and stop the timer/counter (1 = run, 0 = stop)
TC1	Timer 1 Mode Control Bit
TC2	Timer 1 Mode Control Bit
TC3	Timer 1 Mode Control Bit

Table 9-3 CNTRL Register Bits

Bit 7	Bit 6	Bit 5	Bit 4	Bit 3	Bit 2	Bit 1	Bit 0
TC1	TC2	TC3	TRUN	MSEL	IEDG	SL1	SLO

9.9 MEMORY MAP

The COP912/820/840/880 is based on a memory-mapped architecture. All data memory, I/O ports, port registers and function registers are mapped into the data memory address space. Table 9-4 shows the organization of the data memory address space and the mapping of specific addresses. Read-only memory locations are noted in the table.

Table 9-4 COP912/820/840/880 Memory Map

ADDRESS	CONTENTS
00 to 2F 30 to 7F	On-chip RAM bytes (48 bytes) (COP912 and COP820 only) Unused RAM address space (reads all as 1's) (COP912 and COP820 only)
00 to 6F 70 to 7F	On-chip RAM bytes (112 bytes) (COP840/880 only) Unused RAM address space (reads as all 1's)
80 to BF	Expansion space for on-chip EERAM (reads undefined data) (COP912 only), reserved for other devices
C0 to CF	Expansion space for I/O and registers (COP912 only), reserved for other devices
D0 to DF D0 D1 D2 D3 D4 D5 D6 D7 D8 D9 DA DB DC DD to DF	On-chip I/O and registers Port L data register Port L configuration register Port L input pins (read only) Reserved Port G data register Port G configuration register Port G input pins (read only) Port I input pins (read only) (COP912 reserved) Port C data register (COP880 only), reserved for other devices Port C configuration register (COP880 only), reserved for other devices Port C input pins (read only) (COP880 only), reserved for other devices Reserved Port D data register (COP912 reserved) Reserved
E0 to EF E0 to E8 E9 EA EB EC ED EE EF	On-chip functions and registers Reserved MICROWIRE/PLUS shift register (SIOR) Timer lower byte Timer upper byte Timer autoloader register lower byte Timer autoloader register upper byte CNTRL control register PSW register
F0 to FF FC FD FE	16 on-chip RAM bytes mapped as registers X register SP register B register

9.10 RESET

The following initializations are performed by the COP912/820/840/880 at reset:

PORT C:	TRI-STATE (4-bit 40-pin DIP and 44-pin PLCC packages)
PORT D:	LOGIC HIGH (4-bit 28-pin DIP/SO & 8-bit 40-pin DIP, 44-pin PLCC package)
PORT G:	TRI-STATE
PORT L:	TRI-STATE
PC:	CLEARED
PSW and CNTRL:	CLEARED
B, X, SP:	UNKNOWN at power-on reset UNCHANGED at external reset
RAM:	UNKNOWN at power-on reset UNCHANGED at external reset
ACC and TIMER 1:	UNKNOWN at power-on reset UNKNOWN at external reset with Crystal oscillator clock option selected UNCHANGED at external reset with R/C or External oscillator clock options

9.11 MASK OPTION(S)

The COP912, COP820/840 and COP880 mask-selectable options are listed below. The options are programmed at the same time as the ROM pattern to provide the user with hardware flexibility.

9.11.1 COP912

Option 1: COP912C CKI Input

- =1 Normal Mode Crystal (CKI/10); CKO for crystal configuration
- =2 N/A
- =3 R/C (CKI/10); CKO available as G7 input

Option 2: COP912C Bonding

- =1 N/A
- =2 N/A
- =3 20-pin DIP
- =4 20-pin SO
- =5 N/A

9.11.2 COP820C/COP840C

Option 1: COP820C/COP822C/COP840C/COP842C CKI Input

- =1 Normal Mode Crystal (CKI/10); CKO for crystal configuration
- =2 Normal Mode External (CKI/10); CKO available as G7 input
- =3 R/C (CKI/10); CKO available as G7 input

Option 2: COP820C/COP822C/COP840C/COP842C Bonding

- =1 28-pin DIP
- =2 N/A
- =3 20-pin DIP
- =4 20-pin SO
- =5 28-pin SO

9.11.3 COP880

Option 1: COP880C/COP881C CKI Input

- =1 Normal Mode Crystal (CKI/10); CKO for crystal configuration
- =2 Normal Mode External (CKI/10); CKO available as G7 input
- =3 R/C (CKI/10); CKO available as G7 input

Option 2: COP880C/COP881C Bonding

- =1 44-pin PLCC
- =2 40-pin DIP
- =3 28-pin SO
- =4 28-pin DIP

10.1 INTRODUCTION

The COP8640C/8620C are members of the COPS microcontroller family. They are fully static parts, fabricated using double-metal silicon gate microCMOS technology. These low-cost microcontrollers are each a complete microcomputer containing all system timing, interrupt logic, ROM, RAM, EEPROM, and I/O necessary to implement dedicated control functions in a variety of applications. Features include an 8-bit memory-mapped architecture, MICROWIRE/PLUS serial I/O, a 16-bit timer/counter with capture register and a multi-sourced interrupt. Each I/O pin has software selectable options to adapt the COP8640C/8620C to specific applications. The part operates over a voltage range of 4.5V to 6.0V. Certain family members (COP86L20/COP86L40) operate over a voltage range of 2.5V to 6.0V. Refer to the datasheet for more specific information. High throughput is achieved with an efficient, regular instruction set operating at a rate of 1 microsecond per instruction.

This chapter discusses the device specifics of the COP8640C/8620C microcontrollers. Information relevant to all COP8 Basic Family members is not covered in this chapter, but may be found in the first eight chapters of this manual. In this chapter, the term “COP8640” refers to all COP8640C packages, including the COP8642C. “COP8620” refers to all COP8620C packages, including the COP8622C.

10.2 BLOCK DIAGRAM

The diagram in Figure 10-1 shows the basic functional blocks associated with the COP8620/8640. These blocks include the Arithmetic Logic Unit (ALU), Timer, MICROWIRE/PLUS, I/O ports, and on-chip memory.

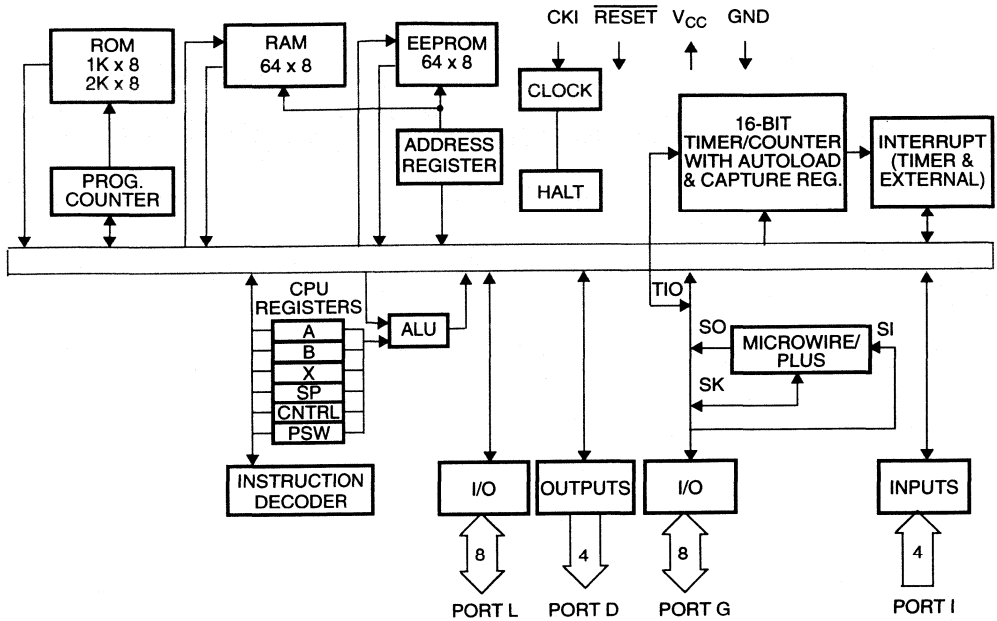
10.3 DEVICE PINOUT/PACKAGES

The COP8620 and COP8640 are available in 20-pin DIP, 20-pin SO, 28-pin DIP, and 28-pin SO packages. Figure 10-2 shows the COP8620/8640 device package pinouts.

Refer to the COP8620/8640 datasheets for more information on the device packages.

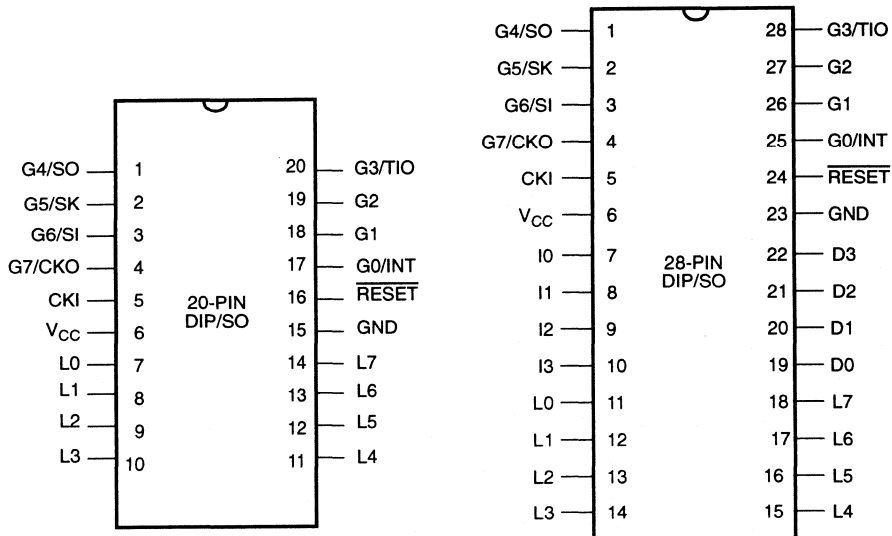
10.4 PIN DESCRIPTIONS

The COP8620/8640 have four dedicated function pins: V_{CC} , GND, CKI and \overline{RESET} . All other pins are available as general purpose inputs/outputs or as defined by their alternate functions. V_{CC} and GND function as the power supply pins. \overline{RESET} is used as



COP800-14

Figure 10-1 COP8620/8640 Block Diagram



COP800-15

Figure 10-2 Device Package Pinouts

the master reset input, and CKI is used as a dedicated clock input. Table 10-1 lists the pin name, type, number and function of all COP8620/8640 signals.

Table 10-1 COP8620/8640 Pin Assignments

PORT	TYPE	ALTERNATE FUNCTION	20 PIN DIP/SO	28 PIN DIP/SO
L0	I/O		7	11
L1	I/O		8	12
L2	I/O		9	13
L3	I/O		10	14
L4	I/O		11	15
L5	I/O		12	16
L6	I/O		13	17
L7	I/O		14	18
G0	I/O	INTERRUPT	17	25
G1	I/O		18	26
G2	I/O		19	27
G3	I/O	TIO	20	28
G4	I/O	SO	1	1
G5	I/O	SK	2	2
G6	I	SI	3	3
G7	I/CKO	HALT RESTART	4	4
D0	O			19
D1	O			20
D2	O			21
D3	O			22
I0	I			7
I1	I			8
I2	I			9
I3	I			10
V _{CC}			6	6
GND			15	23
CKI			5	5
RESET			16	24

10.5 INPUT/OUTPUT PORTS

The number of I/O ports available on the COP8620/8640 devices depends on package type. The COP8620/8640 20-pin packages have only a Port L and Port G. The 28-pin COP8620/8640 parts have a Port L, Port G, Port I and Port D. All common ports are described in Chapter 7 of this manual. However, a brief description of each port is included in this section.

Port D, where available (28 pin DIP/SO packages), is a 4-bit output only port. When writing an 8-bit quantity to this port, only the lower four bits are used. The Port D pins have no alternate functions.

Port G is an 8-bit reconfigurable I/O port. Pins 0 - 5 of the port are configured by writing to the Port G configuration and data registers as described in Section 2.5.3. Pin G6 is a dedicated input pin. Pin G7 is either an input or output depending on the oscillator mask option selected. The Port G pins have the following alternate functions:

- G0 INTR (External Interrupt Input)
- G1 No alternate function
- G2 No alternate function
- G3 Timer 1 I/O
- G4 S0 (MICROWIRE/PLUS Serial Data Output)
- G5 SK (MICROWIRE/PLUS Clock I/O)
- G6 SI (MICROWIRE/PLUS Serial Data Input)
- G7 Dedicated CKO (Clock Output) with Crystal Oscillator Mask Option or HALT/Restart (Exit HALT mode) with RC or External Oscillator Mask Option

Port I, where available (28 pin DIP/SO packages), is a 4-bit input-only port. All Port I pins are Hi-Z inputs. Reading bits 4 - 7 of Port I will return undefined data. The user should mask out the upper four bits on these devices. No alternate functions have been assigned to the Port I pins.

Port L is an 8-bit reconfigurable I/O port. The port is configured by writing to the Port L configuration and data registers as described in Section 2.5.3. The Port L pins have no alternate functions.

10.6 PROGRAM MEMORY

The COP8620C and COP8640C contain 1K bytes and 2K bytes of program memory, respectively. This portion of memory contains the program instructions. The program memory can also contain look-up tables. The program memory is addressed by the 15-bit program counter (PC). It can be indirectly read by the LAID instruction for table lookup. All program memory for the COP8620/8640 devices is mask-programmed ROM.

10.7 DATA MEMORY

The data memory address space on the COP8620/8640 includes on-chip RAM, EEPROM, I/O, and registers. Data memory is addressed directly by an instruction or indirectly through B, X, and SP pointers.

The COP8620/8640 has 64 bytes of RAM. The first 48 bytes are mapped from locations 0000 Hex through 002F Hex. The remaining 16 bytes are mapped from locations 00F0 Hex through 00FF Hex. See Chapter 2 for details on the data memory architecture.

In addition to the 64 bytes of RAM, the COP8620/8640 provides 64 bytes of on-chip EEPROM for nonvolatile data storage. This EEPROM memory is mapped from location 0080 Hex through 00BF Hex. This is very useful for applications that require data to be maintained when there is no power. The data EEPROM can be read from and written to in exactly the same way as the RAM. All instructions that perform read and write operations on the RAM work similarly upon the data EEPROM. The data EEPROM contains 0000 Hex (all 0's) when shipped from the factory.

A data EEPROM write cycle is initiated by an instruction which accesses a location within the EEPROM such as X, LD, SBIT, and RBIT. The EE memory support circuitry sets the BsyERAM flag in the EECR register immediately upon beginning a data EEPROM write cycle. It will automatically be reset by the hardware at the end of the data EEPROM write cycle. The application program should test the BsyERAM flag before attempting a write operation to the data EEPROM. The following example illustrates how this can be accomplished:

```
TEST:  IFBIT  #BsyERAM, EECR
        JP      TEST
        LD      090, #0FF
```

In this example, the program continuously checks the state of the BsyERAM bit. Once the bit is reset, the program continues and writes to the EEPROM memory. (In this case, the value 00FF Hex is written into memory location 0090 Hex.)

A second EEPROM write operation while a write operation is still in progress will be ignored and the Werr flag in the EECR register will be set to indicate the error status.

10.8 EECR AND EE SUPPORT CIRCUITRY

The EEPROM portion of the COP8620/8640 contains EE support circuitry. This circuitry is needed to generate the high voltage programming pulses required to write the EEPROM memory. The support circuitry enables the user's program to read and write from EEPROM memory as if it were ordinary RAM. An EEPROM cell in the erase state is read out as a zero and the written state as a one. The EECR register provides control and status functions for the EE portion of the data memory. The EECR register has the following format:

Bit 7	Bit 6	Bit 5	Bit 4	Bit 3	Bit 2	Bit 1	Bit 0
X	X	X	0	BsyERAM	Flag	0	Werr

Bit 7 = X Don't care. Cannot be used as general purpose flag bit.

Bit 6 = X Don't care. Cannot be used as general purpose flag bit.

Bit 5 = X Don't care. Cannot be used as general purpose flag bit.

Bit 4 = 0 Read-only bit. Always reads as "0".

- Bit 3 = 1 Read-only bit. Set to “1” when EEPROM is being written to. It is automatically reset upon completion of the write operation. This bit is not cleared by a reset. If a reset occurs during a write operation, the BsyERAM bit will not be cleared until the write cycle is completed.
- = 0 Read-only bit. Reads as a “0” when nothing is being written to the EEPROM.
- Bit 2 = X Read/Write bit. This bit can be used as a general purpose flag.
- Bit 1 = 0 Read-only bit. Always reads as “0”.
- Bit 0 = 1 Reading a “1” from this bit indicates that an attempt was made to write to the EEPROM while a previous write cycle was still in progress. Werr is a read/write bit and is cleared by writing a “0” to it.
- = 0 Reading a “0” from this bit indicates that no error was encountered during a write cycle.

10.9 REGISTER BIT MAPS

The COP8620/8640 devices have two registers that contain hardware control flags and bits. These registers, CNTRL and PSW, are located in the COP8 Basic Family core and are described in the CORE REGISTERS section of this manual. The bit maps for these registers are shown below.

The PSW register bits are:

- GIE Global interrupt enable (enables interrupts)
- ENI External interrupt enable
- BUSY MICROWIRE/PLUS busy shifting flag
- IPND External interrupt pending
- ENTI Timer 1 interrupt enable
- TPND Timer 1 interrupt pending (timer underflow or capture edge)
- C Carry Flip/Flop
- HC Half-Carry Flip/Flop

Table 10-2 PSW Register Bits

Bit 7	Bit 6	Bit 5	Bit 4	Bit 3	Bit 2	Bit 1	Bit 0
HC	C	TPND	ENTI	IPND	BUSY	ENI	GIE

The timer and MICROWIRE/PLUS control register bits are:

- SL1 & SLO Select the MICROWIRE/PLUS clock divide-by (00=2,01=4,1x=8)
- IEDG External interrupt edge polarity (0 = rising edge, 1 = falling edge)
- MSEL Selects G5 and G4 as MICROWIRE/PLUS signals SK and SO
- TRUN Used to start and stop the timer/counter (1 = run, 0 = stop)
- TC1 Timer 1 Mode Control Bit
- TC2 Timer 1 Mode Control Bit
- TC3 Timer 1 Mode Control Bit

Table 10-3 CNTRL Register Bits

Bit 7	Bit 6	Bit 5	Bit 4	Bit 3	Bit 2	Bit 1	Bit 0
TC1	TC2	TC3	TRUN	MSEL	IEDG	SL1	SLO

10.10 MEMORY MAP

The COP8620/8640 is based on a memory mapped architecture. All data memory, I/O ports, port registers and function registers are mapped into the data memory address space. Table 10-4 shows the organization of the data memory address space and the mapping of specific addresses. Read-only memory locations are noted in the table.

Table 10-4 COP8620/8640 Memory Map

ADDRESS	CONTENTS
00 to 2F	On-chip RAM bytes
30 to 7F	Unused RAM address space (Reads as all 1's)
80 to BF	On-chip EEPROM (64 bytes)
C0 to CF	Reserved
D0 to DF	On-chip I/O and registers
D0	Port L data register
D1	Port L configuration register
D2	Port L input pins (read only)
D3	Reserved
D4	Port G data register
D5	Port G configuration register
D6	Port G input pins (read only)
D7	Port I input pins (read only)
D8 to DB	Reserved
DC	Port D data register
DD to DF	Reserved
E0 to EF	On-chip functions and registers
E0 to E8	Reserved
E9	MICROWIRE/PLUS shift register (SIOR)
EA	Timer lower byte
EB	Timer upper byte
EC	Timer autoloader register lower byte
ED	Timer autoloader register upper byte
EE	CNTRL control register
EF	PSW register
F0 to FF	16 on-chip RAM bytes mapped as registers
FC	X register
FD	SP register
FE	B register

10.11 RESET

The following initializations are performed by the COP880/840/820 at reset:

PORT D:	LOGIC HIGH
PORT G:	TRI-STATE
PORT L:	TRI-STATE
PC:	CLEARED
PSW and CNTRL:	CLEARED
B, X, SP:	UNKNOWN at power-on reset. UNCHANGED at external reset.
RAM:	UNKNOWN at power-on reset. UNCHANGED at external reset.
ACC and TIMER 1:	UNKNOWN at power-on reset. UNKNOWN at external reset with Crystal oscillator clock option selected. UNCHANGED at external reset with R/C or External oscillator clock options.
EECR:	CLEARED at power-on reset. The BsyERAM bit is set only by a write operation. This bit is cleared at the end of a write cycle regardless of the reset state. In other words, the BsyERAM bit is not cleared by an external reset which occurs in the middle of a write cycle. The BsyERAM bit will be cleared only when a write cycle is completed. In the initialization routine, the user should perform a dummy write to guarantee that this register is cleared after reset.

10.12 MASK OPTION(S)

The COP8620/8640 mask-selectable options are listed below. The options are programmed at the same time as the ROM pattern to provide the user with hardware flexibility.

Option 1: COP8620C/COP8622C/COP8640C/COP8642C CKI Input

- =1 Crystal (CKI/10); CKO for crystal configuration
- =2 External (CKI/10); CKO available as G7 input
- =3 R/C (CKI/10); CKO available as G7 input

Option 2: COP8620C/8640C Bonding

=1 28-pin package

=2 N/A

=3 20-pin package

11.1 INTRODUCTION

The COP820CJ/840CJ devices are members of the COPS 8-bit microcontroller family. It is a fully static microcontroller, fabricated using double-metal silicon gate microCMOS technology. This low-cost microcontroller is a complete microcomputer containing all system timing, interrupt logic, ROM, RAM, and I/O necessary to implement dedicated control functions in a variety of applications. Features include an 8-bit memory-mapped architecture, MICROWIRE/PLUS serial I/O, a 16-bit timer/counter with capture/reload register, and a multi-sourced interrupt. Each I/O pin has software selectable options to adapt the COP820CJ/840CJ microcontrollers to specific applications. Several versions of the part are available that operate over different voltage and temperature ranges. Refer to the datasheet for more specific information. High throughput is achieved with an efficient instruction set operating at a rate of 1 microsecond per instruction cycle.

On the COP840CJ, low radiated emissions are achieved by gradual turn on output drivers, and internal ICC filters.

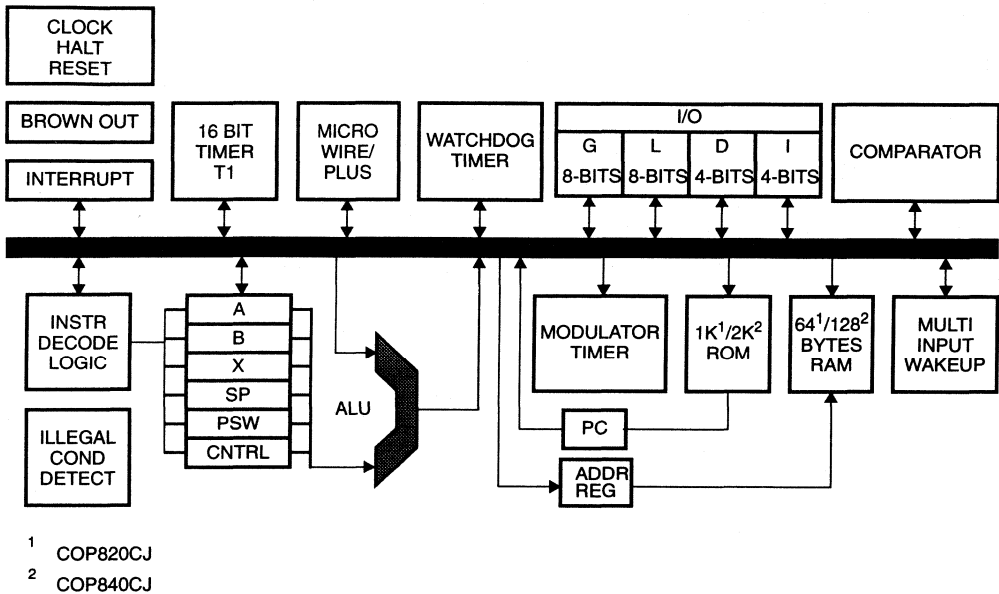
The COP820CJ/840CJ devices have the following special features:

- Schmitt trigger inputs on Port L
- High current sink on pins L4 to L7 and D0 to D3
- Selectable Brown Out protection
- WATCHDOG Timer
- Modulator/Timer
- Comparator
- Multi-Input Wakeup on Port L
- 16-pin version in SO package (COP820CJ only)

This chapter discusses the device specifics of the COP820CJ/840CJ microcontrollers. Information relevant to all COP8 Basic Family members is not covered in this chapter but may be found in the first eight chapters of this manual. In this chapter, the term “COP820CJ” refers to all COP820CJ packages, including the COP822CJ and COP823CJ. “COP840CJ” refers to all COP840CJ packages, including the COP842CJ, COP940CJ, and COP942CJ.

11.2 BLOCK DIAGRAM

The diagram in Figure 11-1 shows the basic functional blocks associated with the COP820CJ/840CJ devices. These blocks include the Arithmetic Logic Unit (ALU), Timer, MICROWIRE/PLUS, I/O ports, comparator, WATCHDOG, modulator timer, Multi-Input Wakeup, Brown-Out circuit, and on-chip memory.



TL/DD/11208-1

Figure 11-1 COP820CJ/840CJ Block Diagram

11.3 DEVICE PINOUT/PACKAGES

The COP820CJ is available in 16-pin SO, 20-pin DIP, 20-pin SO, 28-pin DIP, and 28-pin SO packages. The COP840CJ is available in 20-pin DIP, 20-pin SO, 28-pin DIP, and 28-pin SO packages. Figure 11-2 shows the COP820CJ/840CJ device package pinouts.

Refer to the COP820CJ/840CJ datasheets for more information on the device packages.

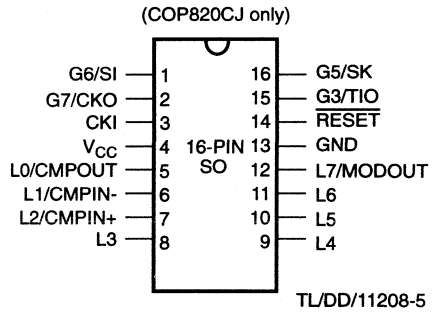
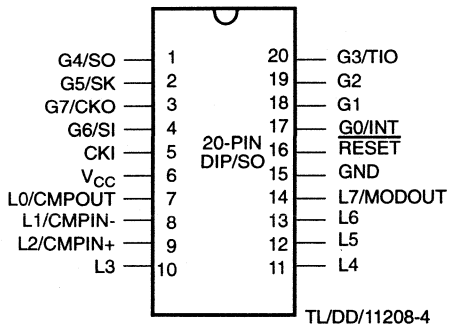
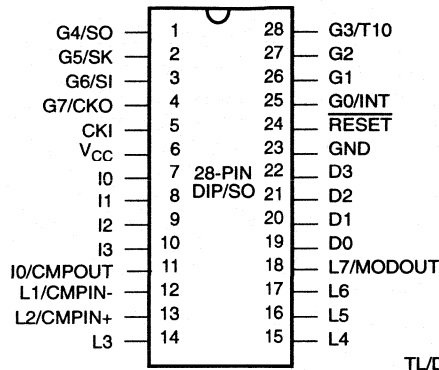


Figure 11-2 Device Package Pinouts

11.4 PIN DESCRIPTIONS

The COP820CJ/840CJ devices have four dedicated function pins: V_{CC} , GND, CKI and \overline{RESET} . All other pins are available as general purpose inputs/outputs or as defined by their alternate functions. V_{CC} and GND function as the power supply pins. \overline{RESET} is used as the master reset input, and CKI is used as a dedicated clock input. Table 11-1 lists the pin name, type, number and function of all COP820CJ/840CJ signals.

Table 11-1 COP820CJ/840CJ Pin Assignments

PORT	TYPE	ALTERNATE FUNCTION	16 PIN* SO	20 PIN DIP/SO	28 PIN DIP/SO
L0	I/O	MIWU/CMPOUT	5	7	11
L1	I/O	MIWU/CMPIN-	6	8	12
L2	I/O	MIWU/CMPIN+	7	9	13
L3	I/O	MIWU	8	10	14
L4	I/O	MIWU	9	11	15
L5	I/O	MIWU	10	12	16
L6	I/O	MIWU	11	13	17
L7	I/O	MIWU/MOD-OUT	12	14	18
G0	I/O	INTERRUPT		17	25
G1	I/O			18	26
G2	I/O			19	27
G3	I/O			20	28
G4	I/O	TIO	15	20	28
G5	I/O	SO		1	1
G6	I/O	SK	16	2	2
G7	I	SI	1	3	3
	I/CKO	HALT RESTART	2	4	4
D0	O				19
D1	O				20
D2	O				21
D3	O				22
I0	I				7
I1	I				8
I2	I				9
I3	I				10
V_{CC}			4	6	6
GND			13	15	23
CKI			3	5	5
\overline{RESET}			14	16	24

* COP820CJ only.

11.5 INPUT/OUTPUT PORTS

The number of I/O ports available on the COP820CJ/840CJ device depends on package type. The 16- and 20-pin packages have only a Port L and Port G. The 28-pin packages have a Port L, Port G, Port I and Port D. All common COP8 Basic Family ports are described in Chapter 7 of this manual. However, a brief description of each port is included in this section.

Port D, where available, is a 4-bit output-only port with moderately high sink current capability. The Port D pins have no alternate functions.

Port G is an 8-bit reconfigurable I/O port. Pins 0 - 5 of the port are configured by writing to the Port G configuration and data registers as described in Section 2.3.3. Pin G6 is a dedicated TRI-STATE input pin. Pin G7 is either an input or output, depending on the oscillator mask option selected. All Port G pins have Schmitt triggers on their inputs. The MICROWIRE/PLUS serial interface is implemented through pins G4, G5, and G6. Pin G4 is not available in the 16 pin package, limiting the 16-pin implementation to slave mode or just as a serial-shift input register. The Port G pins have the following alternate functions:

- G0 INTR (External Interrupt Input)
- G1 No alternate function
- G2 No alternate function
- G3 Timer 1 I/O
- G4 S0 (MICROWIRE/PLUS Serial Data Output)
- G5 SK (MICROWIRE/PLUS Clock I/O)
- G6 SI (MICROWIRE/PLUS Serial Data Input)
- G7 Dedicated CKO (Clock Output) with Crystal Oscillator Mask Option or HALT/Restart (Exit HALT mode) with R/C or External Oscillator Mask Option

Port I, where available, is a 4-bit input-only port. All Port I pins are Hi-Z inputs. No alternate functions have been assigned to the Port I pins.

Port L is an 8-bit reconfigurable I/O port. The port is configured by writing to the Port L configuration and data registers as described in Section 2.3.3. Pins L4 to L7 have high sink current capability. Refer to the COP820CJ/840CJ datasheet for specific Port L electrical characteristics. The Port L pins have the following alternate functions.

- L0 MIWU or CMPOUT
- L1 MIWU or CMPIN-
- L2 MIWU or CMPIN+
- L3 MIWU
- L4 MIWU (high sink current capability)
- L5 MIWU (high sink current capability)

L6 MIWU (high sink current capability)

L7 MIWU or MODOUT (high sink current capability)

The selection of alternate Port L functions is performed using registers **WKEN** (address 00C9 Hex) to enable MIWU, and **CNTRL2** (address 00CC Hex) to enable the comparator and modulator. The programmer must always ensure that the Port L data and configuration registers are set to the correct values when using the alternate functions. For example, when using the comparator, the user must program the Port L pins used for the non-inverting and inverting terminals as inputs. Pin L0 must be programmed as an output if the output of the comparator is required on the pin. However, if there is an R/C network on the inverting terminal which needs to be discharged as is the case in A/D conversion (see Chapter 12), pin L1 can be temporarily configured as an output set to logic 0 to discharge the capacitor, without having to change the entire comparator set-up.

Port L pins have Schmitt Triggers on their inputs. This reduces the noise sensitivity of the inputs, which is useful in applications working in electrically noisy environments such as industrial timers, appliances connected to the power line, and automotive applications.

11.6 PROGRAM MEMORY

The COP820CJ and COP840CJ devices contain 1K bytes and 2K bytes of program memory, respectively. All program memory for the COP820CJ/840CJ devices is mask-programmed ROM. Refer to Chapter 2 for detailed information on the program memory.

11.7 DATA MEMORY

The COP820CJ and COP840CJ devices have 64 bytes and 128 bytes of RAM data memory, respectively. These 64 bytes are memory mapped into two different locations. The first 48 bytes are resident from address 0000 to 002F Hex, while the remaining 16 bytes (containing the register memory) are located from address 00F0 to 00FF Hex. Refer to Chapter 2 for information on the data memory architecture.

11.8 REGISTER BIT MAPS

The COP820CJ/840CJ devices have five bit-mapped registers in addition to the PSW and CNTRL1 registers described in Section 2.4.3. The bit maps for these additional registers are shown below. PSW and CNTRL1 are also included for reference.

The WKEDG Register Bits are:

L0EDG	Pin L0 Wakeup Edge Select Bit
L1EDG	Pin L1 Wakeup Edge Select Bit
L2EDG	Pin L2 Wakeup Edge Select Bit
L3EDG	Pin L3 Wakeup Edge Select Bit

L4EDG Pin L4 Wakeup Edge Select Bit
 L5EDG Pin L5 Wakeup Edge Select Bit
 L6EDG Pin L6 Wakeup Edge Select Bit
 L7EDG Pin L7 Wakeup Edge Select Bit

Table 11-2 WKEDG Register Bits (Address 00C8 Hex)

Bit 7	Bit 6	Bit 5	Bit 4	Bit 3	Bit 2	Bit 1	Bit 0
L7EDG	L6EDG	L5EDG	L4EDG	L3EDG	L2EDG	L1EDG	L0EDG

The WKEN Register Bits are:

L0EN Pin L0 Wakeup Enable Bit
 L1EN Pin L1 Wakeup Enable Bit
 L2EN Pin L2 Wakeup Enable Bit
 L3EN Pin L3 Wakeup Enable Bit
 L4EN Pin L4 Wakeup Enable Bit
 L5EN Pin L5 Wakeup Enable Bit
 L6EN Pin L6 Wakeup Enable Bit
 L7EN Pin L7 Wakeup Enable Bit

Table 11-3 WKEN Register Bits (Address 00C9 Hex)

Bit 7	Bit 6	Bit 5	Bit 4	Bit 3	Bit 2	Bit 1	Bit 0
L7EN	L6EN	L5EN	L4EN	L3EN	L2EN	L1EN	L0EN

The WKPND Register Bits are:

L0PND Pin L0 Wakeup Pending Bit
 L1PND Pin L1 Wakeup Pending Bit
 L2PND Pin L2 Wakeup Pending Bit
 L3PND Pin L3 Wakeup Pending Bit
 L4PND Pin L4 Wakeup Pending Bit
 L5PND Pin L5 Wakeup Pending Bit
 L6PND Pin L6 Wakeup Pending Bit
 L7PND Pin L7 Wakeup Pending Bit

Table 11-4 WKPND Register Bits (Address 00CA Hex)

Bit 7	Bit 6	Bit 5	Bit 4	Bit 3	Bit 2	Bit 1	Bit 0
L7PND	L6PND	L5PND	L4PND	L3PND	L2PND	L1PND	L0PND

The WDREG Register Bit is:

WDREN WATCHDOG Reset enable bit (write ones only COP840CJ)

Table 11-5 WDREG Register Bits (Address 00CD Hex)

Bit 7	Bit 6	Bit 5	Bit 4	Bit 3	Bit 2	Bit 1	Bit 0
UNUSED	UNUSED	UNUSED	UNUSED	UNUSED	UNUSED	UNUSED	WDREN

The PSW Register Bits are:

GIE Global interrupt enable (enables interrupts)

ENI External interrupt enable

BUSY MICROWIRE/PLUS busy shifting flag

IPND External interrupt pending

ENTI Timer 1 interrupt enable

TPND Timer 1 interrupt pending (timer underflow or capture edge)

C Carry Flip/Flop

HC Half-Carry Flip/Flop

Table 11-6 PSW Register Bits (Address 00EF Hex)

Bit 7	Bit 6	Bit 5	Bit 4	Bit 3	Bit 2	Bit 1	Bit 0
HC	C	TPND	ENTI	IPND	BUSY	ENI	GIE

The timer and MICROWIRE/PLUS control register bits are:

SL1 & SLO Select the MICROWIRE/PLUS clock divide-by (00=2,01=4,1x=8)

IEDG External interrupt edge polarity (0 = rising edge, 1 = falling edge)

MSEL Selects G5 and G4 as MICROWIRE/PLUS signals SK and SO

TRUN Used to start and stop the timer/counter (1 = run, 0 = stop)

TC1 Timer 1 Mode Control Bit

TC2 Timer 1 Mode Control Bit

TC3 Timer 1 Mode Control Bit

Table 11-7 CNTRL1 Register Bits (Address 00EE Hex)

Bit 7	Bit 6	Bit 5	Bit 4	Bit 3	Bit 2	Bit 1	Bit 0
TC1	TC2	TC3	TRUN	MSEL	IEDG	SL1	SL0

The CNTRL2 Register Bits are:

MC3	Modulator/Timer Control Bit
MC2	Modulator/Timer Control Bit
MC1	Modulator/Timer Control Bit
COMPEN	Comparator Enable Bit
CMPRD	Comparator Read Bit (read only COP840CJ)
CMPOE	Comparator Output Enable Bit
WDUDF	WATCHDOG Timer Underflow Bit (Read Only)

Table 11-8 CNTRL2 Register Bits (Address 00CC Hex)

Bit 7	Bit 6	Bit 5	Bit 4	Bit 3	Bit 2	Bit 1	Bit 0
MC3	MC2	MC1	COMPEN	CMPRD	CMPOE	WDUDF	UNUSED

11.9 MEMORY MAP

The COP820CJ/840CJ devices are based on a memory mapped architecture. All data memory, I/O ports, port registers and function registers are mapped into the data memory address space. Table 11-9 shows the organization of the data memory address space and the mapping of specific addresses. Read-only memory locations are also noted.

11.10 RESET

The COP820CJ/840CJ devices have three types of reset: External Reset, WATCHDOG Reset, and Brown Out Reset. The following sections describe in detail the conditions required to generate these resets and the effect of each type of reset on these devices.

11.10.1 Reset Initialization

Table 11-10 shows the initialization performed by the COP820CJ/840CJ devices during the External, WATCHDOG, and Brown Out resets. The effect of this initialization is to disable all interrupts, Timer 1, the Modulator/Timer, the Multi-Input Wakeup, the MICROWIRE/PLUS, and the WATCHDOG; to set all Port G and L pins to inputs; and to set Port D high.

Table 11-9 COP820CJ/840CJ Memory Map

ADDRESS	CONTENTS
00 to 2F OR 00 to 6F 30 to 7F OR 70 to 7F	On-chip RAM bytes (COP820CJ) On-chip RAM bytes (48 bytes) (COP840CJ) Unused RAM address space (reads as all 1's) (COP820CJ only) Unused RAM address space (reads as all 1's) (COP840CJ only)
80 to BF	Reserved (Reads Undefined Data)
C0 to C7 C8 C9 CA CB CC CD CE CF	Reserved MIWU Edge Select Register (WKEDG) MIWU Enable Register (WKEN) MIWU Pending Register (WKPND) Reserved Control2 Register(CNTRL2) WATCHDOG Register(WDREG) (write once only COP840CJ) WATCHDOG Counter (WDCNT) Modulator Reload (MODRL)
D0 to DF D0 D1 D2 D3 D4 D5 D6 D7 D8 to DB DC DD to DF	On-chip I/O and registers Port L data register Port L configuration register Port L input pins (read only) Reserved Port G data register Port G configuration register Port G input pins (read only) Port I input pins (read only); upper 4 bits undefined Reserved for Port C Port D Data Register Reserved for Port D
E0 to EF E0 - E8 E9 EA EB EC ED EE EF	On-chip functions and registers Reserved MICROWIRE/PLUS shift register (SIOR) Timer lower byte Timer upper byte Timer1 autoloader register lower byte Timer1 autoloader register upper byte CNTRL1 control register PSW register
F0 to FF FC FD FE	16 on-chip RAM bytes mapped as registers X register SP register B register

Table 11-10 Reset Initialization

Register/Port	Contents after External Reset	Contents after WATCHDOG Reset	Contents after Brown Out Reset
Port D	LOGIC HIGH	LOGIC HIGH	LOGIC HIGH
Port G	TRI-STATE	TRI-STATE	TRI-STATE
Port L	TRI-STATE	TRI-STATE	TRI-STATE
PC	CLEARED	CLEARED	CLEARED
RAM including SP, B and X	UNKNOWN at power-on UNAFFECTED with power already applied	UNCHANGED	UNKNOWN
Timer 1 and Accumulator	UNKNOWN at power-on UNKNOWN with power already applied (Crystal Oscillator option selected) UNAFFECTED with power already applied (R/C or External Oscillator option selected)	UNKNOWN	UNKNOWN
PSW CNTRL1	CLEARED CLEARED	CLEARED CLEARED	CLEARED CLEARED
CNTRL2	CLEARED	CLEARED	CLEARED except Bit1 (Bit1 is unaffected)
WKEDG WKEN WKPND	CLEARED CLEARED UNKNOWN	CLEARED CLEARED UNKNOWN	CLEARED CLEARED UNKNOWN
WDREG	CLEARED	CLEARED	CLEARED except Bit0 (Bit0 is unaffected)
WATCHDOG Prescaler	FF Hex normally ALTERED at external reset exit from HALT	FF Hex	FF Hex
WATCHDOG Counter	FF Hex normally ALTERED at external reset exit from HALT	FF Hex	FF Hex
<p>NOTES: 1. Whenever V_{CC} is greater than the Brown Out voltage, the external reset has priority over the Brown Out reset. The external reset always has priority over the WATCHDOG reset.</p> <p>2. During a Brown Out or External reset, the WDREN and WDUDF bits are cleared. However, if a WATCHDOG underflow caused the reset, the values of the WDREN and WDUDF bits are preserved, so that the initialization routine can detect whether a WATCHDOG underflow has occurred.</p>			

11.10.2 Reset Timing Considerations

For applications using the crystal or resonator clock option, a reset condition occurring during HALT mode automatically introduces a delay of 256 clock cycles immediately after the rising edge of an external $\overline{\text{RESET}}$ or the recovery of V_{CC} above the Brown Out voltage. This ensures that the crystal or resonator has had enough time to oscillate in a stable manner. The program starts execution at address 0000 Hex within 2 additional instruction cycles.

For all other external reset conditions, the program starts execution 2 cycles after the rising edge of the reset pulse.

The Brown Out reset initialization is started once V_{CC} has exceeded the Brown Out voltage. If an external reset takes place during this initialization, the external reset has priority over the Brown Out reset. The external reset always has priority over the WATCHDOG reset.

11.10.3 Power-On Reset Circuit

The external power-on reset circuit must normally meet the requirements for the COP8 Basic Family reset circuit as described in Section 2.6. However, if the Brown Out protection option is used and the power supply rise time is greater than 50 μ s, the standard power-on reset circuit should be omitted, saving three components. In this case, the $\overline{\text{RESET}}$ pin must be connected to V_{CC} . Power-on reset is then automatically performed by the Brown Out protection circuit.

11.10.4 WATCHDOG Reset

With WATCHDOG enabled, the WATCHDOG logic internally resets the device if the user program does not service the WATCHDOG timer within the selected service window. The WATCHDOG reset does not disable the WATCHDOG. Upon WATCHDOG reset, the WATCHDOG Prescaler/Counter are each initialized with 00FF Hex. The WATCHDOG reset does not have priority over any other COP820CJ/840CJ resets. Refer to the WATCHDOG section of this chapter for more information on the WATCHDOG circuit.

11.10.5 Brown Out Reset

The on-board Brown Out protection circuit resets the device when the operating voltage (V_{CC}) goes below the Brown Out voltage. The device is held in reset when V_{CC} stays below the Brown Out voltage. The device comes out of reset as V_{CC} rises from a voltage lower than the Brown Out voltage and reaches the Brown Out voltage. If a two-pin crystal/resonator clock option is selected, the Brown Out reset will trigger a 256 t_c delay. This delay allows the oscillator to stabilize before the device exits the reset state. The delay is not used if the clock option is either R/C or external clock. The contents of data registers and RAM are unknown following a Brown Out reset. The external reset takes priority over Brown Out Reset and will deactivate the 256 t_c cycles delay if in progress. The Brown Out reset takes priority over the WATCHDOG reset.

11.10.6 External Reset

A COP820CJ/840CJ master reset is generated by holding the external $\overline{\text{RESET}}$ pin low. This type of reset is common to all COP8 Basic Family devices, and is described in Section 2.6. This reset takes priority over the Brown Out reset if V_{CC} is greater than Brown Out voltage.

11.10.7 Reset Initialization Routine

The reset initialization routine cannot distinguish between an external reset and a Brown Out reset. Therefore, if the Brown Out detection option is used, the reset initialization routine must initialize the processor into a safe state, when used in safety-critical applications such as appliances connected to the power line. A WATCHDOG underflow can be detected in the following way:

```
. = 000
LD SP, #02F           ; Initialize the stack pointer
IFBIT WDUDF, CNTRL2  ; Test whether reset is a WATCHDOG reset
JMP WDERR            ; Execute the WATCHDOG error routine
...                  ; Normal initialization routine follows
```

11.11 BROWN OUT PROTECTION

The COP820CJ/840CJ devices have an on-board Brown Out protection circuit for use in applications where temporary drops in the supply voltage (V_{CC}) could create potentially hazardous situations. For example, household appliances connected to the AC power line are subject to glitches or longer term drop-outs on the power supply, temporarily driving the microcontroller below its minimum operating voltage. Under such conditions, the program counter, stack and RAM contents are not guaranteed to be preserved. If this occurs, the program behavior is unpredictable and a potentially dangerous event may happen even when the power supply returns to its normal level.

The Brown Out protection circuit is permanently enabled or disabled via a mask option. If enabled, the Brown Out protection circuit monitors V_{CC} and compares it with the Brown Out voltage. If V_{CC} falls below the Brown Out voltage, the COP820CJ/840CJ devices are held in reset. When V_{CC} rises above the Brown Out voltage, Brown Out initialization is generated as described in Section 11.8, ensuring that the program is restored to a defined state.

If Brown Out protection is disabled, the minimum operating voltage for the COP820CJ/840CJ devices is 2.5V. If Brown Out protection is enabled, the minimum operating voltage is the Brown Out voltage, as long as the maximum operating frequency for the device at the Brown Out voltage is not exceeded. Refer to the datasheet for the dependency of minimum operating voltage on the maximum permissible operating frequency. The Brown Out voltage tracks the minimum operating voltage, so that devices with lower Brown Out voltages are guaranteed to operate at lower V_{CC} than devices with higher Brown Out voltages. Therefore, if Brown Out protection is enabled, the device is guaranteed to operate down to the Brown Out voltage even if this voltage is below 2.5V. For a temperature range of 0°C to 70°C the Brown Out voltage is expected to be between

1.9V and 3.9V. Over the full automotive temperature range, this extends from 1.8V to 4.2V.

If the device is intended to operate at a voltage lower than the maximum Brown Out voltage (VBO max), the Brown Out circuit should be disabled via the Brown Out mask option.

The Brown Out Circuit is active in HALT mode. This increases the HALT mode current by up to 100uA.

11.12 WATCHDOG

The COP820CJ/840CJ devices have an on board 8-bit WATCHDOG timer. The timer contains an 8-bit READ/WRITE down counter clocked by an 8-bit prescaler. The timer can be programmed to operate in either of two modes: WATCHDOG timer or a general-purpose counter. Figure 11-3 shows the WATCHDOG timer block diagram. The WATCHDOG counter is decremented every 256 t_C cycles.

Mode 1: WATCHDOG Timer

The WATCHDOG timer is intended for use in applications where glitches or other sources of external interference could corrupt the program counter or the stack contents. This can result in the program behavior being unpredictable and potentially dangerous. For example, the electrically noisy environment in which an automotive application is used could cause the application software to be stuck in an infinite loop or to execute look-up table data, thus causing unpredictable behavior. The programmer can already protect against execution of unused code by ensuring that these areas are filled with the value 00 Hex (software trap opcode), and by properly handling the software trap condition in the interrupt routine.

The WATCHDOG can be enabled or disabled only once after a Brown Out reset or External reset. On power-up, the WATCHDOG is disabled. If the WATCHDOG timer is enabled, the user program should write periodically into the 8-bit WDCNT counter, location 00CE Hex, before the counter underflows. The counter is loaded with N-1 to get N counts. The counter underflow causes a WATCHDOG reset as described in Section 11.8. Loading the 8-bit counter initializes the prescaler with FF Hex and starts the prescaler and the counter. Both the prescaler and the counter are stopped when the counter underflows. They are each loaded with FF Hex when the device goes into the HALT mode. The prescaler is used for crystal or resonator start-up when the device exits the HALT mode through Multi-Input Wakeup. In this case, the prescaler/counter contents are changed.

The programmer can adjust the required response time for a WATCHDOG failure by loading different values in the counter. If a very low value is loaded in WDCNT, the response time will be fast, but the counter must be updated more regularly. If a fast response time is not required, then a larger counter value will be sufficient.

Control and Status Bits

WDUDF: WATCHDOG Timer Underflow Bit

This bit resides in the CNTRL2 Register. The bit is set when the WATCHDOG timer underflows. The underflow resets the device if the WATCHDOG reset enable bit is set (WDREN=1). Otherwise, WDUDF can be used as the timer underflow flag. The bit is cleared upon Brown-Out reset, an External reset, a load to the 8-bit counter, or going into the HALT mode. It is a read-only bit.

WDREN: WATCHDOG Reset Enable Bit

This bit resides in Bit 0 of the WDREG register. This bit enables the WATCHDOG timer to generate a reset on a WATCHDOG timer underflow. The bit is cleared upon Brown Out reset or External reset. The bit is under software control but can be written to only once following a reset. After that, the hardware does not allow the bit to be changed during program execution. If WDREN= 1, WATCHDOG reset is enabled, otherwise it is disabled.

WDCNT: WATCHDOG Counter

This 8-bit read/write register contains the contents of the WATCHDOG timer. The contents can be read by the program at any time. The contents can be written at any time to update the WATCHDOG timer.

Initialization Example

The following code shows how to initialize the WATCHDOG:

```
. =000  
  
... ; Reset initialization  
LD WDCNT, #020 ; Load and start the timer  
SBIT WDREN, WDREG ; Enable the WATCHDOG reset  
... ; Application code  
LD WDCNT, #020 ; Regularly update the WATCHDOG
```

Table 11-11 shows the effect of Brown Out Reset, WATCHDOG Reset, and External Reset on the Control/Status bits.

Table 11-11 Effect of HALT, Reset and loading WDCNT on WATCHDOG Registers.

Parameter	HALT	WATCHDOG Reset	External or Brown Out Reset	Load Counter
8-bit Prescaler	FF Hex	FF Hex	FF Hex	FF Hex
8-bit WD Counter	FF Hex	FF Hex	FF Hex	User Value
WDREN bit	Unchanged	Unchanged	0	Unchanged
WDUDF bit	0	Unchanged	0	0
WDTEN Signal	Unchanged	0	0	1

11.13 MODULATOR/TIMER

The Modulator/Timer contains an 8-bit counter which is not memory mapped, and an 8-bit autoreload register, MODRL (address 00CF Hex). The Modulator/Timer has three modes of operation selected by the Modulator/Timer Control bits. These bits, MC1, MC2 and MC3 reside in the CNTRL2 Register.

Mode 1: MODULATOR

The Modulator mode is used to generate bursts of between 1 and 256 pulses at a frequency of either CKI or CKI/10. Figure 11-4 illustrates the timer configuration and the waveform generated by this mode. This type of waveform is used in remote control applications, such as electronic keys in the automotive area or remote control units for consumer appliances. Refer to the COP820CJ/840CJ datasheets for the specification on the maximum permissible CKI frequency for the Modulator output.

The Modulator mode is selected by setting MC3 = 1. MC2 selects the modulator input clock. If MC2 = 1, the modulator input clock is set to CKI. If MC2 = 0, the modulator input clock is set to t_C . MC1 is used as the start bit for the modulator. The high frequency pulses are generated on the modulator output pin L7, which should be configured as an output, by setting bit 7 of register PORTLC. The number of pulses is determined by the 8-bit autoreload register MODRL, which is loaded with N-1 to get N pulses. Loading MODRL with FF Hex gives the maximum number of counts, 256. The user loads MODRL with the desired number of counts and sets MC1 to start the counter. MODRL is then loaded into the counter, and pulses at the modulator input frequency are routed to pin L7 until the counter underflows. On underflow, the hardware resets MC1 and stops the counter. The L7 pin goes low and stays low until the counter is restarted by the user program. Unless the number of counts is changed, the user program does not have to load MODRL each time the counter is started. The counter can be started simply by setting the MC1 bit. Setting MC1 by software will load the counter with the value of the autoreload register. The software can reset MC1 to stop the counter.

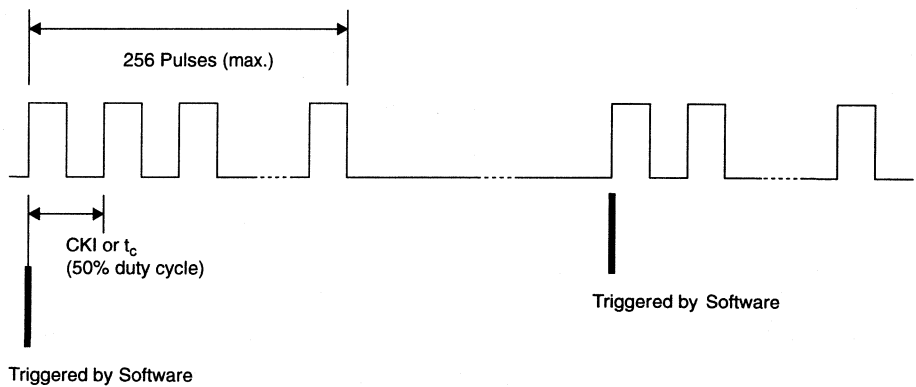
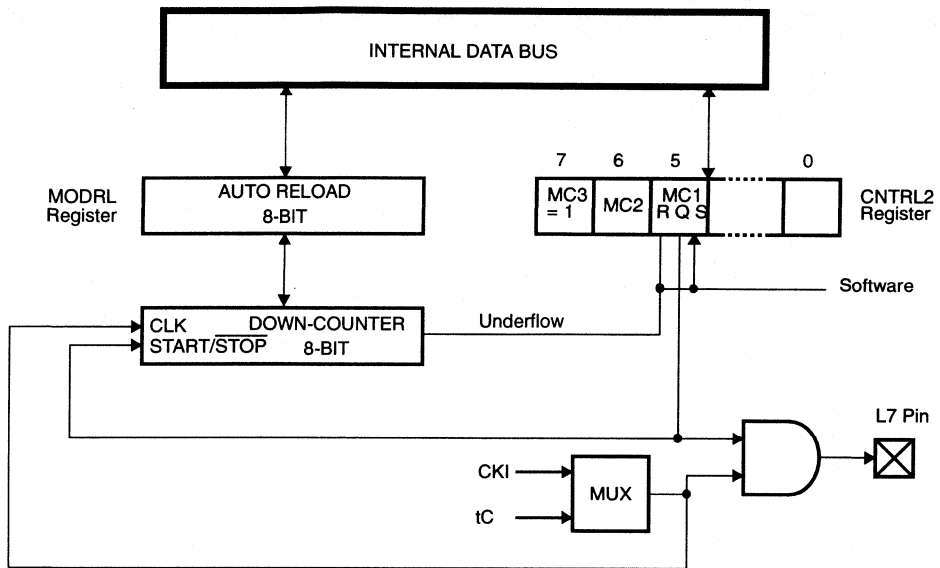
Example: Produce 10 pulses at a frequency of 2 MHz on L7

Use a 2 MHz crystal oscillator.

```
RBIT 7, PORTLD          ; Pin L7 output logic 0
SBIT 7, PORTLC          ;
SBIT MC3, CNTRL2        ; Choose modulator mode
SBIT MC2, CNTRL2        ; Choose CKI clocking
LD MODRL, #9            ; Load with 9 to get 10 pulses
SBIT MC1, CNTRL2        ; Start the modulator
```

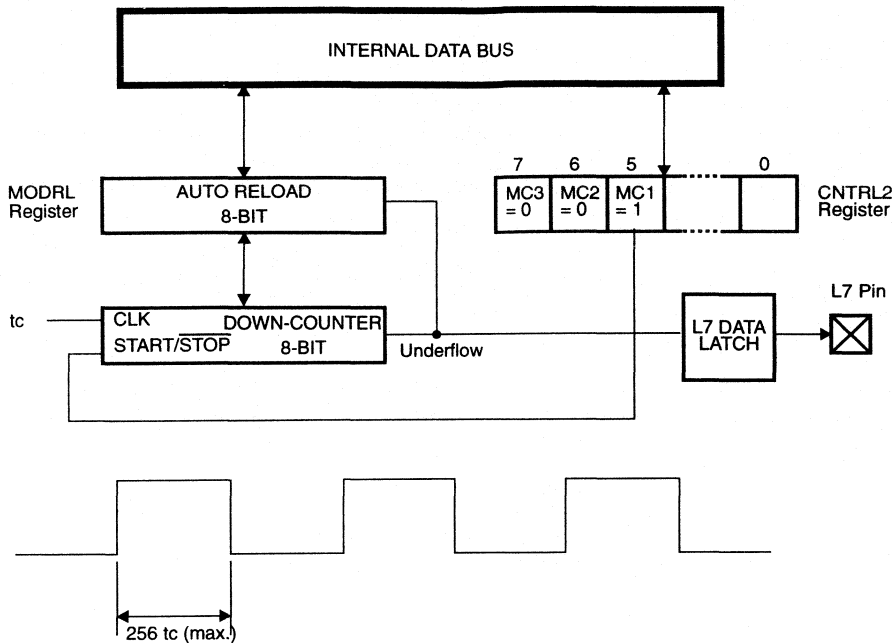
Mode 2: PWM TIMER, 50% duty cycle

The 50% duty cycle mode is used to generate a square wave without processor intervention. Applications include household appliances such as irons and coffee-makers that require a simple buzzer function. Timer 1 is then available for A/D conversions. Figure 11-5 illustrates the timer configuration and the waveform generated by this mode.



COP800-17

Figure 11-4 Modulator Block Diagram/Output Waveform



COP800-1E

Figure 11-5 Mode 2: 50% Duty Cycle Output

If both MC2 and MC3 are 0, a 50% duty cycle signal is generated on pin L7. This pin must be configured as an output pin. In this mode, the 8-bit counter is clocked by t_C . The user loads MODRL with the desired number of counts. Loading MODRL with $N-1$ will give an output “on” time of $N \times t_C$ or a frequency of $1/(2N \times t_C)$. Setting the MC1 control bit by software loads the counter with the value of the autoreload register and starts the counter. The counter underflow toggles the L7 output pin, thereby generating a waveform with a 50% duty cycle. The software can reset MC1 to stop the counter.

Example: Production of a 2KHz tone on L7

Using a 2 MHz crystal, t_C is 5us. The period of a 2 kHz tone is 500us. The “on” time is half of this, which is 250us. The value $250/5 = 50$ should be loaded in MODRL.

```

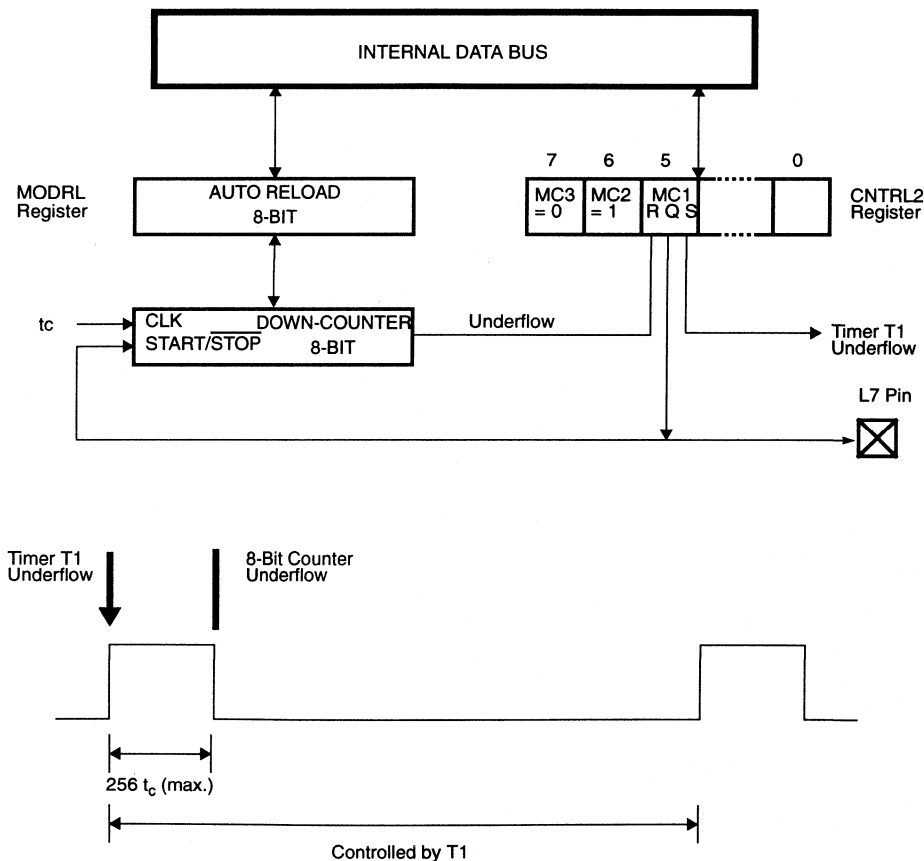
RBIT 7, PORTLD           ; Pin L7 output logic 0
SBIT 7, PORTLC           ;
RBIT MC2, CNTRL2         ; Choose 50% duty cycle mode
RBIT MC3, CNTRL2         ;
LD MODRL, #49            ; Load with 49 to get 50 tC = 250 us period
SBIT MC1, CNTRL2         ; Start the tone

```

Mode 3: PWM TIMER, variable duty cycle

The variable duty cycle mode is used to generate two distinct types of waveforms without processor intervention. Figure 11-6 illustrates the timer configuration and the waveform generated by this mode. The waveform “on” time is determined by MODRL and the period is determined by the Timer 1 underflow. If the Timer 1 underflow occurs every 256 t_C cycles, an 8-bit PWM signal is generated, suitable for conversion into an analog signal. This type of signal is useful in DC motor control. If the underflow occurs every 512, 1024, 2048 etc. t_C cycles, 8-bit resolution over a voltage range of 0–0.5 V_{CC} , 0–0.25 V_{CC} , 0–0.125 V_{CC} , etc. is possible. Delayed pulse generation is also possible with this mode. In this case, the Timer 1 register is loaded with the delay time and MODRL with the pulse width. This technique is useful for the phase control of AC-driven loads in electric drills, food mixers, washing machines and vacuum cleaners.

When MC3 = 0 and MC2 = 1, a variable duty cycle PWM signal is generated on the L7 pin, which should be configured as an output. The counter is clocked by t_C . In this mode, the 16-bit Timer 1, along with the 8-bit down counter, are used to generate a variable



COP800-19

Figure 11-6 Mode 3: Variable Duty Cycle Output

duty cycle PWM signal. The programmer resets the Timer 1 start bit (bit 4 of CNTRL) during initialization. Then, the Timer 1 register is loaded with the required delay value in t_C cycles, the Timer 1 reload register is loaded with the desired repetition rate, and MODRL is loaded with the desired pulse width. In each case, loading the register with N-1 will give a time of N. Timer 1 must be configured in “PWM Mode/Toggle TIO Out” (CNTRL Bits 7,6,5 = 101). Setting bit 4 of CNTRL starts the sequence.

Each time Timer 1 underflow sets MC1, it loads the down counter with MODRL, starts the 8-bit counter, and sets L7 high. When the counter underflows, the MC1 control bit is reset and the L7 output goes low until the next timer Timer 1 underflow.

Table 11-12 shows the different operation modes for the Modulator/Timer.

Table 11-12 Modes of PWM timer

Control bits in CNTRL2			Operation Mode L7 Function
MC3	MC2	MC1	
0	0	0	Normal I/O
0	0	1	50% duty cycle mode (clocked by t_c)
0	1	X	Variable duty cycle mode (clocked by t_c) using Timer 1 underflow
1	0	X	Modulator mode (clocked by t_c)
1	1	X	Modulator mode (clocked by CKI)
NOTE: MC1, MC2 and MC3 control bits are cleared upon reset.			

11.14 COMPARATOR

The COP820CJ/840CJ devices have one differential comparator. Consumer appliances that must measure temperature or pressure can use this comparator to perform analog to digital conversion. Automotive applications that drive motors need to determine whether the starter motor is turning, because this reduces the battery voltage so much that the electric motor may stall. The comparator can test for this condition.

Pins L0, L1 and L2 are used for the comparator. The output of the comparator can be connected to the L0 pin, read by software, or both. The pins are assigned as follows:

L0	Comparator output
L1	Comparator inverting input
L2	Comparator non-inverting input

Comparator Control and Status Bits

These bits reside in register CNTRL2 (Address 00CC Hex):

COMPEN	Enables comparator (“1” = enable, “0” = disable)
CMPRD	Reads comparator output internally (COMPEN = 1, CMPOE = X)
CMPOE	Enables comparator output to pin L0 (“1” = enable, “0” = disable)

To enable the comparator, the programmer should set up L1 and L2 as high impedance inputs using PORTLD and PORTLC, and set the COMPEN bit. The comparator output can be viewed by reading the CMPRD bit. To enable the comparator output, set up L0 as an output using PORTLC, and set the CMPOE bit. If CMPOE is cleared, COMPEN is set and pin L0 is configured as an output, pin L0 will be set to 0V.

The comparator Select/Control bits are cleared after a reset, disabling the comparator. To save power, the program should disable the comparator before the device enters HALT mode.

The comparator rise and fall times are symmetrical. Refer to the COP820CJ/840CJ datasheets for information on the DC and AC characteristics of the comparator.

A programming example for the comparator is given in the Applications chapter showing an A/D conversion with the COP820CJ device.

11.15 MULTI-INPUT WAKEUP

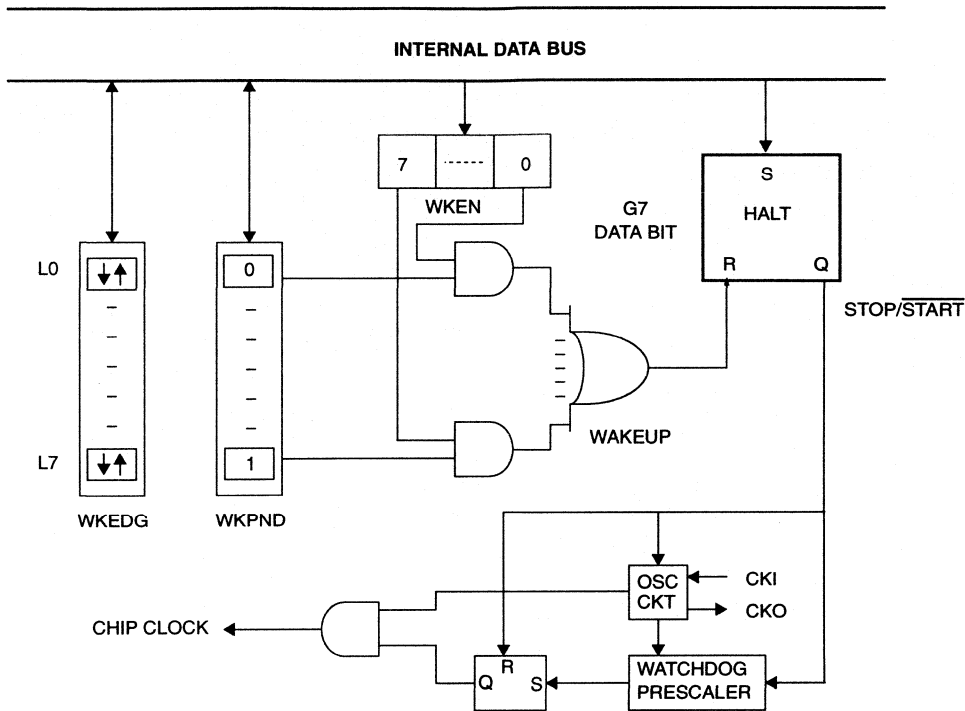
The Multi-Input Wakeup feature is used to wake up the device from the HALT mode by means of a transition on one or more of the Port L pins. This feature is useful when the microcontroller has to exit the HALT mode from more than one external wakeup condition. For example, a remote control unit with fifty keys must exit HALT mode as soon as any one of the many keys is pressed. This can be implemented on the COP820CJ/840CJ devices by arranging the keys in a matrix and using Multi-Input Wakeup on the key matrix inputs.

Figure 11-7 shows the block diagram for the Multi-Input Wakeup feature. This feature can also be used for latching high-to-low or low-to-high transitions occurring on the selected Port L pins. This does not require the use of HALT mode.

Multi-Input Wakeup Registers

WKEN	Contains bits to enable Multi-Input Wakeup for individual Port L pins (“1” = enabled)
WKEDG	Contains bits to select the type of transition sensed on individual Port L pins (“1” = negative edge)
WKPND	Contains Wakeup Pending flags for individual Port L pins (“1” = pending)

When using this feature, the programmer must configure the Port L pins intended for use as Wakeup signals as inputs and clear the WKPND register. The programmer should program the corresponding bits of the WKEDG register. To enable Wakeup on a rising



COP800-20

Figure 11-7 Multi-Input Wakeup Logic

edge for a particular pin, the programmer should reset the associated WKEDG bit to 0. To enable Wakeup on a falling edge for a particular pin, the programmer should set the associated WKEDG bit to 1. Finally, the programmer should select which particular Port L bit or combination of Port L bits will be configured as Multi-Input Wakeup pins, by setting the respective bits in WKEN.

As soon as any one or more of the WKEN bits have been set, the occurrence of any one or more of the selected trigger conditions on the relevant Port L pins causes the associated bits in WKPND to be set to 1. If any bit of the WKPND register is set while the COP820CJ/840CJ device is in HALT mode, the part will exit the HALT mode within two t_C cycles if the External or R/C clock options have been used, or after an additional delay of 256 t_C cycles if the Crystal/Resonator option has been used. This 256 t_C delay is generated by using the WATCHDOG prescaler. If the program attempts to enter HALT mode while any bit is still set in the WKPND register and its associated bit in the WKEN register is also set, the device will not enter HALT mode. It is the responsibility of the programmer to ensure that the WKPND register is cleared before attempting to enter HALT mode.

An Application Example Using Multi-Input Wakeup

Figure 11-8 shows the circuit diagram for a battery-powered remote control unit. The function of the unit is to transmit a specific code, whenever a particular key is pressed, using an infra-red LED driven from the modulator output L7. The additional LED connected to pin G3 is turned on by the software whenever a key is pressed to indicate to the user that the unit is functioning correctly. In order to conserve battery power, the unit is held in HALT mode until a key is pressed. The COP820CJ/840CJ device should come out of HALT mode whenever any key is pressed. The key is then decoded, the relevant code transmitted, and the part set back into HALT mode.

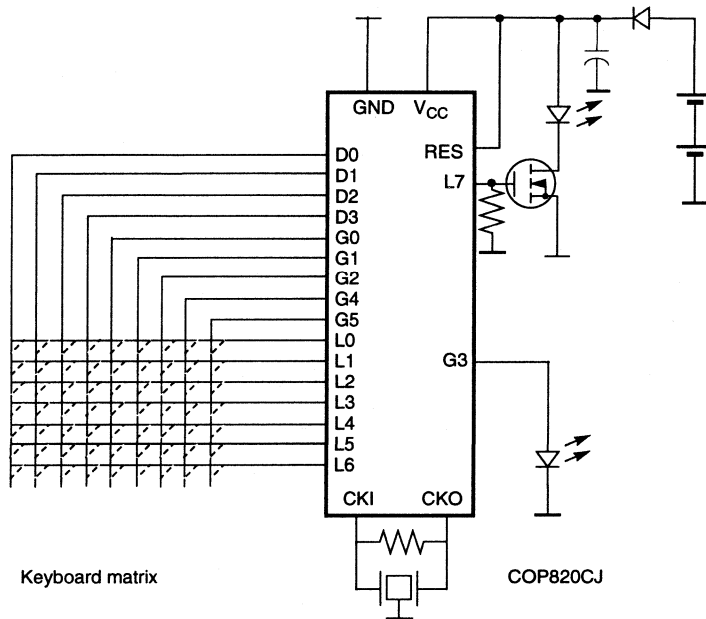


Figure 11-8 Battery-Powered Remote Control Unit

The Multi-Input Wakeup feature may be used to meet these requirements. After the end of the previous transmission, the keyboard is initialized by using the following procedure. The program sets up pins L0-L6 as inputs with weak pull-up resistors and Port D to logic 0. Pins G0, G1, G2, G4 and G5 are set by the software to output logic 0. The program sets bits 0-6 of the WKEDG register to one, indicating that the COP820CJ/840CJ device will wake up after a high-to-low transition on these pins. The WKPND register is cleared and then WKEN is loaded with 07F hex by the program, enabling Wakeup on pins L0-L6 and disabling Wakeup on pin L7. Finally, the program is put in HALT mode.

As soon as any one of the keys is pressed, the Port L pin in the same row as the key is driven down from its weak pull-up high state to zero, causing a high-to-low transition. This generates a Wakeup signal. Because the crystal oscillator option has been selected, the COP820CJ/840CJ device waits for 256 t_c cycles before proceeding.

The program now interrogates the WKPND register to determine the row of the key that has been pressed, and continues with keyboard scanning, debouncing, decoding, and transmission routines.

Example of Keyboard Initialization Routine

```
...
LD WKEN, #000           ; Suspend Wakeup feature during setup
LD PORTLD, #07F        ; Pins L0-L6 weak pull-ups, pin L7 output logic low
LD PORTLC, #080        ;
LD PORTD, #000         ; Pins D0-D3 logic low
LD PORTGD, #000        ; Pins G0-G5 outputs logic low
LD PORTGC, #03F        ;
LD WKEDG, #07F        ; L0-L6 active on high-to-low transition
LD WKPND, #000         ; Clear Wakeup pending flags
LD WKEN, #07F          ; Enable Wakeup on L0-L6
SBIT 7, PORTGD         ; Enter HALT mode
NOP
NOP
...                    ; After HALT exited, WKPND scanned to identify row
```

11.16 MASK OPTIONS

The COP820CJ/COP822CJ/COP823CJ/COP840CJ/COP842CJ mask-selectable options are listed below. The options are programmed at the same time as the ROM pattern to provide the user with hardware flexibility.

Option 1: CKI Input

- =1 . Normal Mode Crystal (CKI/10); CKO for crystal configuration
- =2 Normal Mode External (CKI/10); CKO available as G7 input
- =3 R/C (CKI/10); CKO available as G7 input

Option 2: Brown Out

- =1 Enable Brown Out Protection (increased HALT current)
- =2 Disable Brown Out Protection

Option 3: Bonding

- =1 28-pin DIP (also COP840CJ 28-pin SO)
- =2 20-pin DIP/SO
- =3 16-pin SO (COP820CJ only)
- =4 28-pin SO (COP820CJ only)

12.1 INTRODUCTION

This chapter describes several application examples using the COP8 Basic Family of microcontrollers. Design examples often include block diagrams and/or assembly code. Certain hardware design considerations are also presented.

Topics covered in this chapter include the following:

- MICROWIRE/PLUS implementation examples
- Timer application examples
- Triac control example
- COP820CJ/COP840CJ design examples
- Programming examples (clear RAM, binary arithmetic)
- External power wakeup circuit
- External watchdog circuit
- Input protection on pins
- Electromagnetic interference (EMI) considerations

12.2 MICROWIRE/PLUS INTERFACE

A whole family of off-the-shelf devices is directly compatible with the MICROWIRE/PLUS interface. This allows direct interface of the COP8 Basic Family microcontrollers with a large number of peripheral devices. The following sections provide examples of the MICROWIRE/PLUS interface. These examples include a master/slave mode protocol, code for a continuous mode of operation, code for a fast burst mode of operation, and a COP820 to an NMC93C06 interface.

12.2.1 MICROWIRE/PLUS Master/Slave Protocol

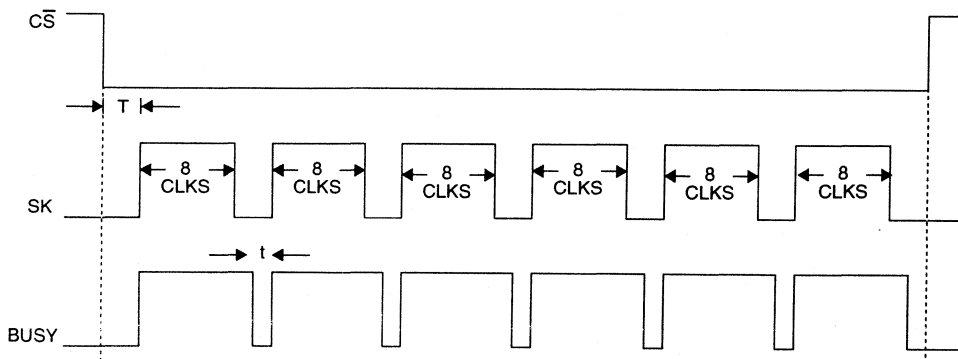
This section gives a sample MICROWIRE/PLUS master/slave protocol, the slave mode operating procedure for the sample protocol, and a timing illustration of the sample protocol.

1. CS from the master device is connected to G0 of the slave device. An active-low level on the CS line causes the slave to interrupt.

2. From the high-to-low transition on the CS line, there is no data transfer on the MICROWIRE/PLUS interface until the setup time T has elapsed (see Figure 12-1).
3. The master initiates data transfer on the MICROWIRE/PLUS interface by turning on the SK clock.
4. A series of data transfers takes place between the master and slave devices.
5. The master pulls the CS line high to end the MICROWIRE/PLUS operation. The slave device returns to normal mode of operation.

Slave Mode Operating Procedure (for the previous protocol):

1. Set the MSEL bit in the CNTRL register to enable MICROWIRE; G0 and G5 are configured as inputs and G4 as an output.
2. Normal mode of operation until interrupted by CS going low.
3. Set the BUSY flag and load SIOR register with the data to be sent out on S0. (The shift register shifts eight bits of data from S0 at the high-order end of the shift register. Concurrently, eight new bits of data from SI are loaded into the low-order end of the shift register.)
4. Wait for the BUSY flag to be reset. (The BUSY flag automatically resets after 8 bits of data have been shifted.)
5. If data is being read in, the contents of the SIO register are saved.
6. The prearranged set of data transfers are performed.
7. Repeat steps 3 through 6. The user must ensure step 3 is performed within t -time (refer to Figure 12-1) as agreed upon in the protocol.



COP800-41

Figure 12-1 MICROWIRE/PLUS Sample Protocol Timing

12.2.2 MICROWIRE/PLUS Continuous Mode

The MICROWIRE/PLUS interface can be used in continuous clock mode with the master mode divide-by-eight clock division factor selected. The maximum data transfer rate for this MICROWIRE/PLUS continuous clock mode is 64 microseconds per byte (equivalent to 125 KHz) for parts operating with a 1 μ sec instruction cycle.

The continuous clock mode is achieved by resetting the BUSY bit under program control just before it would automatically be reset with the hardware, and then immediately setting the BUSY bit with the next instruction. The SIO MICROWIRE/PLUS shift register is then loaded (or read) with the following instruction. This loading of SIO occurs before the SK clock goes high, even though the previous set BUSY bit instruction has started the divide-by-eight (3-stage) counter. The B pointer must be already set up to point at the PSW register where the MICROWIRE/PLUS BUSY bit is located. This three-instruction sequence is programmed as follows:

Instruction	Bytes/Cycles
RBIT BUSY, [B]	1/1
SBIT BUSY, [B]	1/1
X A, SIOR	2/3

This three-instruction sequence must be embedded in an instruction program loop that is exactly 64 instruction cycles (t_c cycles) in length. This yields a 125-KHz (64 microseconds per byte) data transfer rate at the maximum instruction cycle rate of 1 MHz.

The following program demonstrates the use of the MICROWIRE/PLUS continuous clock mode. The program continually outputs the 256 bytes of the current program memory block on the MICROWIRE/PLUS S0 output pin (G4). The low-order bit (G0) of Port G is set to cover the transition period of the three-instruction sequence outlined previously, where the SIO register is loaded with a new byte.

```

PORTGD = 0D4
PORTGC = 0D5
SIOR   = 0E9
CNTRL  = 0EE
PSW    = 0EF
MWTEMP = 0F0
MWCNT  = 0F1

```

```

MARK   = 0
BUSY   = 2

```

CYCLES

MWCONT:	LD	PORTGC, #031		
	LD	PORTGD, #0		
	LD	CNTRL, #0B		
	LD	B, #PSW		
	LD	MWCNT, #0		
MWLOOP:	LD	A, MWCNT		
	INC	A		3
	X	A, MWCNT		1
	LAID			3
	SBIT	MARK, PORTGD		3
	RBIT	BUSY, [B]		4
	SBIT	BUSY, [B]		1
	X	A, SIOR		1
	RBIT	MARK, PORTGD		3
	LD	MWTEMP, #6		4
MWLUP:	DRSW	MWTEMP		3
	JP	MWLUP	3 } x6-2=	34
	NOP		3 }	1
	JP	MWLOOP		3
				<hr/>
TOTAL CYCLES IN MWLOOP =				64

12.2.3 MICROWIRE/PLUS Fast Burst Output

The maximum COP8 MICROWIRE/PLUS master mode burst clock rate (using the divide-by-two clock division factor) is 500 KHz. This assumes that the COP8 Basic Family microcontroller is running at the maximum instruction cycle frequency of 1 MHz. The equivalent time of one extra master mode SK clock cycle is necessary to set up the next byte (and/or read the previous byte) in SIOR when using the burst mode SK frequency. This yields an equivalent minimum data transfer time of 18 microseconds per byte.

The following program demonstrates the use of the MICROWIRE/PLUS burst clock mode at the maximum data transfer rate (with the divide-by-two master mode clock option selected). The X pointer is initialized to the TOP of a RAM table, where SIZE represents the size of the table. This subroutine outputs the contents of the RAM table on the MICROWIRE/PLUS S0 output pin (G4).

Register Definitions

SIOR = 0E9
 CNTRL = 0EE
 PSW = 0EF
 MWCNT = 0F0

BUSY = 2

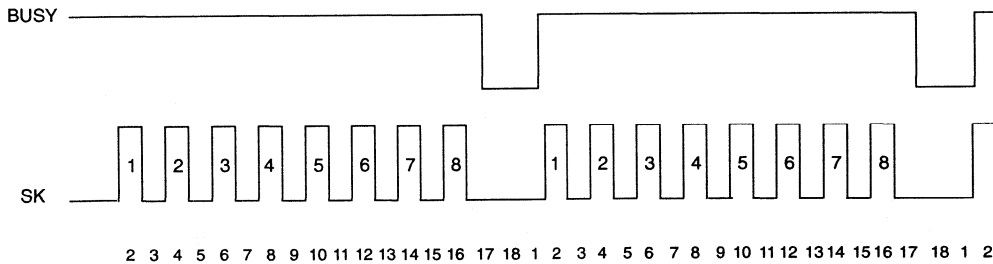
INSTRUCTION CYCLE NUMBER CYCLES IN Figure 12-2

MWBRST:	LD	CNTRL, #8		
	LD	B, #PSW		
	LD	MWCNT, #SIZE		
	LD	X, #TOP		
MWLOOP:	LD	A, [X-]	3	13, 14, 15
	X	A, SIOR	3	16, 17, 18
	SBIT	BUSY, [B]	1	1
	NOP*		1	2
	NOP*		1	3
	LAIID*		3	4, 5, 6
	DRSZ	MWCNT	3	7, 8, 9
	JP	MWLOOP	3	10, 11, 12
	RET			

TOTAL CYCLES IN MWLOOP = $\overline{18}$

* Time Delay

The MICROWIRE/PLUS BUSY bit is allowed to reset automatically with the hardware following the eighth SK clock. The transfer of new data into the SIO register and the transfer of the new input data from SIO to A occurs at the end of the second cycle of the three-cycle “exchange A with SIO” instruction. This exchange instruction is immediately followed by the “set BUSY bit” instruction to initiate another MICROWIRE/PLUS serial byte transfer. The associated timing for this 18-instruction cycle MICROWIRE/PLUS loop is shown in Figure 12-2.



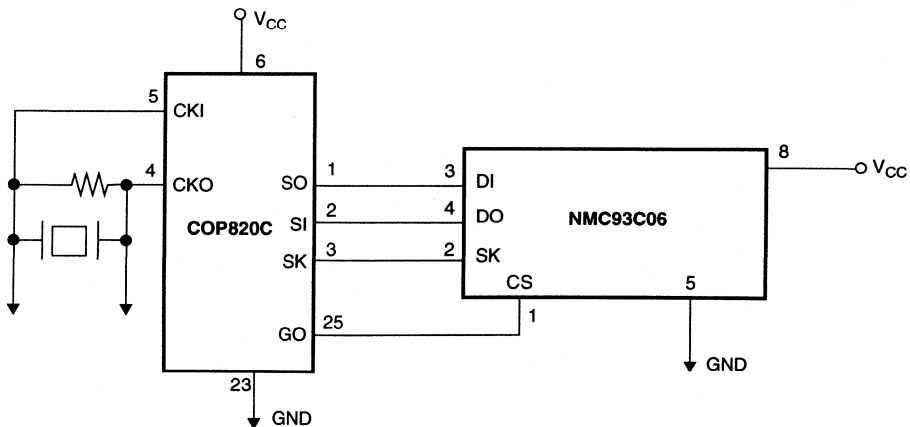
COP800-42

Figure 12-2 MICROWIRE/PLUS Fast Burt Timing

12.2.4 NMC93C06-COP820C Interface

This example shows the COP820 interface to a NMC93C06, a 256-bit E²PROM, using the MICROWIRE/PLUS interface. The pin connection involved in interfacing a NMC93C06 with the COP820C microcontroller is shown in Figure 12-3. Some notes on the NMC93C06 interface requirements are:

1. The SK clock frequency should be less than 250 KHz.
2. CS low period following an Erase/Write instruction must not exceed 30 ms maximum. It should be set at typical or minimum specification of 10 ms.
3. The start bit on DI must be set by a “0” to “1” transition following a CS enable (“0” to “1”) when executing any instruction. One CS enable transition can execute only one instruction.
4. In the read mode, following an instruction and data train, the DI is a “don’t care” while the data is being output for the next 17 bits or clocks. The same is true for other instructions after the instruction and data has been fed in.
5. The data out train starts with a dummy bit 0 and is terminated by chip deselect. Any extra SK cycle after 16 bits is not essential. If CS is held on after all 16 of the data bits have been output, the DO will output the state of DI until another CS low to high transition starts a new instruction cycle.
6. After a read cycle, the CS must be brought low for one SK clock cycle before another instruction cycle starts.



COP800-32

Figure 12-3 NMC93C06-COP820C Interface

The following table describes the instruction set of the NMC93C06. In the table A3A2A1A0 corresponds to one of the sixteen 16-bit registers.

Commands	Start Bit	Opcode	Address	Comments
READ	1	0000	A3A2A1A0	Read Register 0–15
WRITE	1	1000	A3A2A1A0	Write Register 0–15
ERASE	1	0100	A3A2A1A0	Erase Register 0–15
EWEN	1	1100	0001	Write/Erase Enable
EWDS	1	1100	0010	Write/Erase Disable
WRAL	1	1100	0100	Write All Registers
ERAL	1	1100	0101	Erase All Registers

All commands, data in, and data out are shifted in/out on the rising edge of the SK clock. All instructions are initiated by a low-to-high transition on CS followed by a low-to-high transition on DI.

A detailed explanation of the NMC93C06 E²PROM timing, instruction set, and other considerations can be found in the datasheet. A source listing of the software to interface the NMC93C06 with the COP820C is provided below.

```
.INCLD COP820.INC
;
;This program provides in the form of subroutines, the ability to erase,
;enable, disable, read and write to the NMC93C06 EEPROM.
;
;
SNDBUF = 0           ;Contains the command byte to be written to NMC93C06
RDATL = 1           ;Lower byte of the NMC93C06 register data read
RDATH = 2           ;Upper byte of the NMC93C06 register data read
WDATL = 3           ;Lower byte of the data to be written to NMC93C06
                    ;register
ADRESS = 5          ;The lower 4-bits of this location contain the
                    ;address of the NMC93C06 register to read/write
FLAGS = 6           ;Used for setting up flags
                    ;
                    ;Flag value      Action
                    ;00              Erase, enable, disable, erase all
                    ;01              Read contents of NMC93C06 register
                    ;03              Write to NMC93C06 register
                    ;Others          Illegal combination

DLYH = 0F0
DLYL = 0F1
;
;The interface between the COP820C and the NMC93C06 (256-bit EEPROM) consists of
;four lines: The G0 (chip select line), G4 (serial out SO), G5 (serial clock SK), and
;G6 (serial in SI).
```

```

;
; Initialization
;
        LD        PORTGC,#03 ;Setup G0, G4, G5 as outputs
        1
        LD        PORTGD,#00 ;Initialize G data reg to zero
        LD        CNTR0L,#08 ;Enable MSEL, select MW rate of 2tc
        LD        B,#PSW
        LD        X,#SIOR
;
;This routine erases the memory location pointed to by the address contained in the
;location "ADDRESS." The lower nibble of "ADDRESS" contains the NMC93C06 register
;address and the upper nibble should be set to zero.
;
ERASE:   LD        A,ADDRESS
        OR        A,#0C0
        X        A,SNDBUF
        LD        FLAGS,#0
        JSR      INIT
        RET
;
;This routine enables programming of the NMC93C06. Programming must be preceded once
;by a programming enable (EWEN).
;
EWEN:    LD        SNDBUF,#030
        LD        FLAGS,#0
        JSR      INIT
        RET
;
This routine disables programming of the NMC93C06
;
EWDS:    LD        SNDBUF,#0
        LD        FLAGS,#0
        JSR      INIT
        RET
;
;This routine erases all registers of the NMC93C06
;
ERAL:    LD        SNDBUF,#020
        LD        FLAGS,#0
        JSR      INIT
        RET
;
;This routine reads the contents of the NMC93C06 register. The NMC93C06 address is
;specified in the lower nibble of location "ADDRESS." The upper nibble should be set
;to zero. The 16-bit contents of the NMC93C06 register are stored in RDATL and RDATH.
;
READ:    LD        A,ADDRESS
        OR        A,#080
        X        A,SNDBUF
        LD        FLAGS,#1
        JSR      INIT
        RET
;
;This routine writes a 16-bit value stored in WDATL and WDATH to the NMC93C06 register
;whose address is contained in the lower nibble of the location "ADDRESS." The upper
;nibble of address location should be set to zero.
;
WRITE:   LD        A,ADDRESS
        OR        A,#040

```

```

        X        A,SNDBUF
        LD        FLAGS,#3
        JSR       INIT
        RET

;
;This routine sends out the start bit and the command byte. It also decipheres the
;contents of the flag location and takes a decision regarding write, read or return
;to the calling routine.
;
INIT:    SBIT     0,PORTGD           ;Set chip select high
        LD        SIOR,#001        ;Load SIOR with start bit
        SBIT     BUSY,[B]          ;Send out the start bit
PUNT1:   IFBIT    BUSY,[B]
        JP        PUNT1
        LD        A,SNDBUF
        X        A,[X]            ;Load SIOR with command byte
        SBIT     BUSY,[B]          ;Send out command byte
PUNT2:   IFBIT    BUSY,[B]
        JP        PUNT2
        IFBIT    0,FLAGS           ;Any further processing?
        JP        NOTDON          ;Yes
        RBIT     0,PORTGD         ;No, reset CS and return
        RET

;
NOTDON:  IFBIT    1,FLAGS           ;Read or write?
        JP        WR494           ;Jump to write routine
        LD        SIOR,#000        ;No, read NMC93C06
        SBIT     BUSY,PSW         ;Dummy clock to read zero
        RBIT     BUSY,[B]
        SBIT     BUSY,[B]
PUNT3:   IFBIT    BUSY,[B]
        JP        PUNT3
        X        A,[X]
        SBIT     BUSY,[B]
        X        A,RDATH
PUNT4:   IFBIT    BUSY,[B]
        JP        PUNT4
        LD        A,[X]
        X        A,RDATL
        RBIT     0,PORTGD
        RET

;
WR494:   LD        A,WDATH
        X        A,[X]
        SBIT     BUSY,[B]
PUNT5:   IFBIT    BUSY,[B]
        JP        PUNT5
        LD        A,WDATL
        X        A,[X]
        SBIT     BUSY,[B]
PUNT6:   IFBIT    BUSY,[B]
        JP        PUNT6
        RBIT     0,PORTGD
        JSR      TOUT
        RET

```

```

;
;Routine to generate delay for write
;
TOUT:    LD        DLYH,#00A
WAIT:    LD        DLYL,#0FF
WAIT1:   DRSZ     DLYL
         JP        WAIT1
         DRSZ     DLYH
         JP        WAIT
         RET
         .END

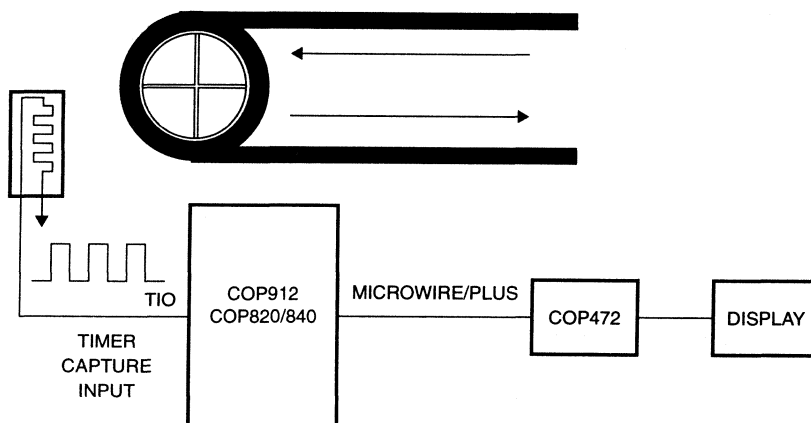
```

12.3 TIMER APPLICATIONS

This section describes some applications using the on-chip timer: speed measurement using the Input Capture mode, a simple D/A converter using the PWM mode, and an external event counter using the External Event Counter mode.

12.3.1 Timer Capture Example

The Timer Input Capture Mode can be used to measure the time between events. The simple block diagram in Figure 12-4 shows how the COP912/820/840 can be used to measure motor speed based on the time required for one revolution of the wheel. A magnetic sensor is used to produce a pulse for each revolution of the wheel.



COP800-33

Figure 12-4 Timer Capture Application

In the capture mode of operation, the timer counts down at the instruction cycle rate. In this application, the timer is set up to generate an interrupt on a TIO positive edge transition. The timer is initialized to 0FFFF Hex and begins counting down. An edge transition on the TIO input pin of the timer causes the current timer value to be copied into the RA register. In addition, it sets the timer interrupt pending flag, which causes a

program branch to memory location 0FF Hex. The interrupt service routine for the timer is stored at that program memory location. The interrupt service routine resets the timer interrupt pending flag. It then reads the contents of RA and stores it in RAM for later processing. An RETI instruction is used to return to normal program execution and re-enable subsequent interrupts (by setting the GIE bit).

On the next rising edge transition on TIO, the program returns to the interrupt service routine. The value in RA is read again, and compared with the previously read value. The difference between the two captured values, multiplied by the instruction cycle time, gives the time for one revolution. This can be easily converted to a frequency. The frequency may be displayed on an LCD using the COP MICROWIRE/PLUS interface and a COP472-3 LCD Driver.

An example of the code that can be used for this application is provided below.

```

PSW      = 0EF
CNTRL    = 0EE
TPND     = 5
TRUN     = 4
PORTGC   = 0D5
PORTGD   = 0D4

LD       PORTGC,#00      ;Configure G3/TIO as input
LD       PORTGD,#08     ;Weak pull-up on G3
LD       CNTRL,#0C0     ;Timer as capture mode, positive edge
LD       PSW,#011      ;Enable timer and global interrupts
LD       TMRLO,#0FF    ;Timer lower byte
LD       TMRHI,#0FF    ;Timer upper byte
LD       TRALO,#0FF    ;Auto-reload lower byte
LD       TRAHI,#0FF    ;Auto-reload upper byte
LD       SBIT         TRUN,CNTRL ;Start timer
SELF:    JP          SELF ;Wait for capture

;Timer interrupt handling routine

.=OFF
IFBIT    TPND,PSW      ;Is it timer interrupt?
JP       TIMSERV      ;Yes
JP       Error        ;No go to error routine

;Timer service routine

TIMSERV: RBIT         TPND,PSW ;Reset pending flag
.        ;(Process Timer Capture)
.
.
RETI    ;Return from interrupt

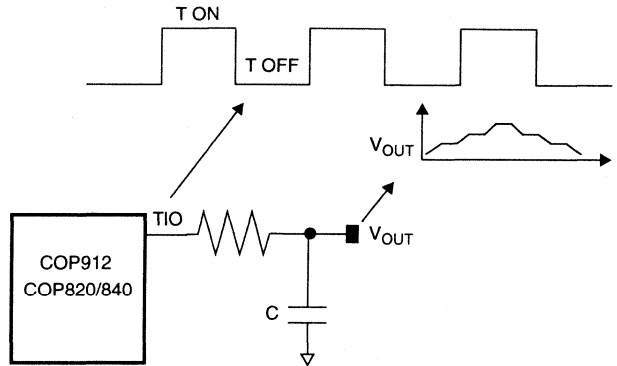
.END

```

12.3.2 Timer PWM Example

Figure 12-5 shows how a minimal-component D/A converter can be built out of the timer register pair in the auto-reload mode. The timer is placed in PWM mode and initialized with the ON time, and register RA (the auto-reload register) is initialized to the OFF

time. TIO/G3 is configured as an output and preset to logic high. By setting the TRUN bit in the CNTRL register, the timer starts and counts down at the instruction cycle rate when an underflow of the timer occurs, the TIO output pin is toggled, the contents of the RA register (OFF time) are copied into the timer, and the TPND bit in PSW register is set. A timer underflow also generates a timer interrupt, where program control vectors to program memory address 0FF Hex. The interrupt service routine at that address resets the timer interrupt pending flag and alternately replaces the value in the RA register with either the OFF time or the ON time after each timer underflow. A PWM signal appears on the TIO output pin.



A simple D-A converter using the timer to generate a PWM output.

COP800-34

Figure 12-5 PWM Timer Application

With the ON time set equal to the OFF timer (50% duty cycle), the capacitor charges and discharges slightly in each cycle, and the output remains at a fairly constant level. With the duty cycle set larger or smaller than 50%, the capacitor gains or loses charge, and the output voltage rises or falls.

An example of the code that can be used for this application is provided below.

```

;Operating the timer in PWM mode
;CONSTANT DECLARE
FLAG      = 05
ONFLG     = 0
ONTMHI    = 07
ONTMLO    = 0FF
OFTMHI    = 0F
OFTMLO    = 0FF

;Timer auto-reload mode running off internal clock.
;Interrupts are used.
;The output is a duty cycle output on G3.
;Timer logic automatically toggles G3.
;
PWMI:
        LD          FLAG,#00          ;Clear ONFLG i.e., start with off time

```

```

LD      CNTRL1,#0A0      ;Timer stopped, G3 enabled, AR mode
LD      PORTGD,#00      ;SBIT G3 low
LD      PORTGC,#08      ;SBIT G3 as an output/TIO
LD      TMRLO,#OFTMLO   ;Initialize timer lower byte
LD      TMRHI,#OFTMLO   ;Timer upper byte
LD      TAUHI,#ONTMHI   ;Auto-reload register upper byte
LD      TAULO,#ONTMLO   ;Auto-reg. lower byte with on time
SBIT    TRUN,CNTRL      ;Start timer
LD      PSW,#011        ;Enable timer interrupts
;
SLEEP:  JP      SLEEP    ;Wait for timer underflow
;
;The interrupt routine below handles timer interrupts
      . = X'00FF
TINTR:  RBIT     TPND,PSW      ;Got it, RBIT for future
        IFBIT    FLAG,ONFLG   ;On time?
        JP      SONT         ;Need to set bit up for on time
SOFT:   LD      T1RALO,#OFTMLO ;Off time
        LD      T1RAHI,#OFTMHI
        SBIT    FLAG,ONFLG
        RETI
;
SONT:   LD      T1RALO,#ONTMLO ;On time
        LD      T1RAHI,#ONTMHI
        RBIT    FLAG,ONFLG
        RETI
        .END

```

12.3.3 External Event Counter Example

This mode of operation is very similar to the PWM Mode of operation. The only difference is that the timer is clocked from an external source. This mode provides the ability to perform control of a system based on counting a predetermined number of external events, such as searching for the nth sector on a disk or testing every nth part on an assembly line. The code for this example is provided below.

```

; Operating the timer in External Event Counter Mode
PSW      = 0EF
CNTRL    = OEE
TPND     = 5
TRUN     = 4
PORTGC   = 0D5
PORTGD   = 0D4

RBIT     3,PORTGC      ;Configure G3/TIO as Hi-Z input
RBIT     3,PORTGD      ;
LD       CNTRL,#00     ;Select timer as external event counter
LD       PSW,#011     ;Enable timer and global interrupts
LD       TMRLO,#COUNT0 ;Timer lower byte
LD       TMRHI,#COUNT1 ;Timer upper byte
LD       TRALO,#Count0 ;Auto-reload lower byte
LD       TRAHI,#Count1 ;Auto-reload upper byte

```

```

        SBIT      TRUN,CNTRL      ;Start timer
SELF:   JP        SELF           ;Wait for the n-th count

;Timer interrupt handling routine

.=OFF
        IFBIT    TPND,PSW        ;Is it timer interrupt?
        JP       TIMSERV        ;Yes
        JP       ERROR          ;No go to error routine

;Timer service routine

TIMSERV: RBIT     TPND,PSW        ;Reset pending flag
        RBIT     TRUN,PSW        ;Stop timer
        .
        .
        .
        .
        SBIT     TRUN,PSW        ;Start timer
        RETI     ;Return from interrupt
.END

```

12.4 TRIAC CONTROL

The COP8 Basic Family devices provide computational ability and speed which is suitable for intelligently managing power control. In order to intelligently control a triac on a cyclic basis, an accurate time base must be established. This may be in the form of an AC 60Hz sync pulse generated by a zero voltage detection circuit or a simple real-time clock. The COP8 Basic Family is suited to accommodate either of these time base schemes while accomplishing other tasks.

Zero voltage detection is the most useful scheme in AC power control because it affords a real-time clock base as well as a reference point in the AC waveform. With this information it is possible to minimize RFI by initiating power-on operations near the AC line voltage zero crossing. It is also possible to fire the triac only a portion of the cycle, thus utilizing conduction angle manipulation. This is useful in both motor control and light-intensity control.

COPS software is capable of compensating for noisy or semi-accurate zero voltage detection circuits. This can be accomplished by using delays and debounce algorithms in the software. With a given reference point in the AC waveform, it becomes easy to divide the waveform to efficiently allocate processing time.

These techniques are demonstrated in the code listing below. This application example is based on the half cycle approach of AC power for triac light intensity control. The code will intensify and deintensify the lamp under program control.

This program example is not intended to be a final functional program. It is a general-purpose light intensifying/deintensifying routine which can be modified for a light dimmer application. The delay routines are based on a 10 MHz crystal clock (1 μ s instruction cycle). The COP820C's 16-bit timer can be used for timing the half cycle of an AC power line, and the timer can be started or stopped under software control. Timer T1

is a read/write memory mapped counter with an associated 16-bit auto-reload register. Zero crossings of the 60 Hz line are detected and software debounced to initiate each half cycle, so the triac is serviced on every half cycle of the power line. This program divides the half cycle of a 60 Hz AC power line into 16 levels. Intensity is varied by increasing or decreasing the conduction angle by firing the triac at various levels. Each level is a fixed time which is loaded into the timer. Once a true zero cross is detected, the timer starts and triac is serviced.

A level/sublevel approach is utilized to vary the conduction angle and to provide a prolonged intensifying period. The maximum intensity reached is at the maximum conduction angle (level), and the time required to get to that level is loaded into the timer in increments. Once a level has been specified, the remaining time in the half cycle is then divided into sublevels. The sublevels are increased in steps to the maximum level and the triac is fired 16 times per sublevel, thus creating the intensity time base. For deintensifying, the sublevels are decremented.

NATIONAL SEMICONDUCTOR CORPORATION
 COP800 CROSS ASSEMBLER, REV:E,22 JUN 90
 TIMER

```

;-----
;
; THIS IS A GENERAL PURPOSE LIGHT DIMMER PROGRAM
; USING COP8 TIMER WRITTEN BY FARID NOORY JULY 1990
; IT USES A 10 MHZ CLOCK (1 us INSTRUCTION CYCLE TIME)
;
;-----

.INCLD COP820.INC
.TITLE TIMER, 'TIMER APPLICATION EXAMPLE'
;INITIALIZATIONS
TEMP = 0F0
LEVEL = 0F1
FIN = 0F2 ;FIRE #
REG1 = 0F3
LD FIN,#000 ;
LD LEVEL,#040 ;SUBLEVEL
LD PORTGC,#000 ;MAKE G PORT AS INPUT
LD PORTGD,#004 ;WITH WEAK PULL-UP
LD CNTRL,#080 ;TIMER AS AUTORELOAD
LD PSW,#000 ;
LD TMRLO,#07D ;TIMER AND AUTORELOAD REG
LD TMRHI,#000 ;INITIALIZED TO .5ms DELAY
LD TAULO,#0EB ;EACH
LD TAUHI,#003

; POWER UP SYNCHRONIZATION OR RESET SYNCH.
;
BEG: IFBIT 2,PORTGP ;IF BIT G2 =1
      JP HI
      JP BEG ;TO SYNC. UP 60HZ
HI: IFBIT 2,PORTGP ;IS IT STILL ONE
      JP HI ;YES WAIT TILL ITS ZERO

;-----
;TEST FOR TRUE ZERO CROSS (Valid Transition)
;-----
;HERE WE PROVIDE DEBOUNCE FOR ZERO CROSS DETECTION
;-----
;START OF DEBOUNCE DELAY
;IF BIT G2 = 0
      JSR DELAY ;TEMPORARY DELAY
      IFBIT 2,PORTGP ;WAS IT FALLS?
      JP BEG ;YES :FALLS ALARM
R DOIT: JMP INIT ;NO : START!
LO: IFBIT 2,PORTGP ;DEBOUNCE 0 TO 1
      JP D1 ;IF 1 GO TO DELAY
      JP LO ;IF NOT WAIT FOR A 1
D1: JSR DELAY ;WE HAVE A CLEAN TRANSITION
      IFBIT 2,PORTGP ;IS IT STILL 1?
      JP DOIT ;
      JP LO ;YES GO TO MAIN ROUTINE
; ;NO KEEP DELAY GOING NOISE
;*****
;
; MAIN ROUTINE FOR INTENSIFY/DE-INTENSIFY
; THE PROGRAM GETS HERE WHEN A TRUE ZERO IS DETECTED
;*****
INIT: JSR TIMER ;DELAY FOR 1ms TO GET TO MAX ;2/5
      LD A,FIN ;CONTAINS FIR NUMBER ;2/3
      IFEQ A,#015 ;ARE WE AT 15? ;2/2
      JP THER ; ;1/3
BEGG: INC A ;NO ;1/1
      X A,FIN ;INC. THE FIRE # ;2/3

```

```

THER:  JP      FIRE      ;KEEP FIRING          ;1/3
        LD      FIN,#000          ;3/3
        LD      A,LEVEL      ;YES NEXT LEVEL    ;2/2
        DEC     A                ;1/1
        X      A,LEVEL      ;RESTORE LEVEL    ;2/3
        LD      A,LEVEL      ;GET BACK A
        IFEQ   A,#000      ;IF MAX LEEL #HAS REACHED ;2/2
        JP      LP2
        JP      LP3
LP2:   LD      LEVEL, #040 ;SET LEVEL          ;2/2
        JP      FIRE      ;EXIT
LP3:   IFBIT   5,LEVEL      ;TEST WHICH LEVEL?
        JSR    ADD          ;IF MAX NOT YET REACHED ADD DELAY
        JSR    SUB          ;IF IT HAS SUBSTRACT DELAY
        NOP
        NOP
;*****
;          SUBROUTINES          *
;*****
FIRE:  LD      PORTD,#0FF ;PULL UP D PORT FOR ;3/3
        X      A,TEMP      ;32U SEC          ;2/3
        CLR   A                ;1/1
LP6:   INC     A                ;1/1
        IFEQ   A,#03        ;1/2
        JP      LP5          ;1/3
        JP      LP6          ;1/3
LP5:   CLR   A                ;1/1
        LD      PORTD,#00   ;PULL D PORT LO   ;3/3
TWO:   X      A,TEMP      ;RESTORE A          ;2/3
HI1:   IFBIT   2,PORTGP    ;TEST FOR WHICH DEBOUNCE ;1/1
        JMP    HI          ;NEEDED            ;2/3
        JMP    LO          ;2/3

DELAY: LD      REG1,#00F    ;1/1
LOOP:  DRSZ   REG1          ;1/1
        JP      LOOP        ;1/3
        RET      ;FOR DEBOUNCING          ;1/5
;DECREMENT THE TIMER BY THE DESIRED DELAY
;
SUB:   LD      A,TAULO
        SUBC   A,#07D
        X      A,TAULO
        LD      A,TAUHI
        SUBC   A,#000
        RC
        X      A,TAUHI
        RET
;INCREMENT THE TIMER VALUE BY THE DESIRED DELAY
;
ADD:   LD      A,TAULO
        ADC   A,#07D
        X      A,TAULO
        LD      A,TAUHI
        ADC   A,#000
        RC
        X      A,TAUHI
        RETSK

TIMER:
LP1:   SBIT   TRUN,CNTRL ;START THE TIMER
        IFBIT TPND,PSW  ;CHECK FOR TIMER UNDERFLOW
        JP      LP4
        JP      LP1
LP4:   RBIT   TRUN,CNTRL ;STOP THE TIMER
        RBIT   TPND,PSW  ;RESET THE UNDERFLOW FLAG
        RET
        .END

```

12.5 COP820CJ/COP840CJ APPLICATION HINTS

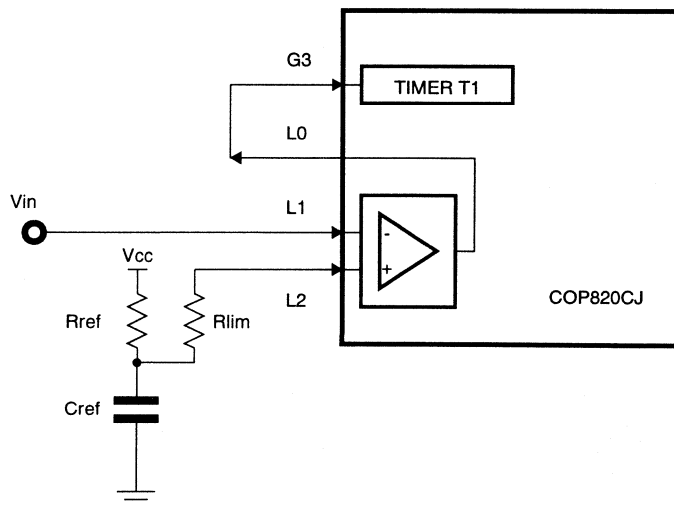
This section gives suggestions on how and where the COP820CJ/COP840CJ special features may be used. Examples of how to use these features to implement system functions are given, followed by an example of an application which uses the feature.

12.5.1 Analog To Digital Conversion Using On-chip Comparator

Some microcontroller applications require a low-cost, but effective way of performing analog to digital conversion. A number of techniques for doing this are described in COP NOTE 1: “Analog to Digital Conversion Techniques with COPS Family Microcontrollers” and in Application Note 607: “Pulse Width Modulation A/D Conversion Techniques with COP8 Basic Family Microcontrollers”. This section explains how the COP820CJ/COP840CJ comparator can be integrated into two of the solutions described in these notes: the single slope A/D conversion technique and the pulse width modulation A/D technique.

Figure 12-6 shows the hardware connections for either type of A/D conversion technique. The voltage to be measured, V_{IN} , is connected to the inverting terminal of the comparator, pin L1. The non-inverting terminal, pin L2, is connected to an RC network via a current-limiting resistor. For the single slope technique, the comparator output on pin L0 is connected to the Timer T1 input pin G3. This is not required for the pulse width modulation technique.

The principle of the single slope conversion technique is to measure the time it takes for the RC network to charge up to the voltage level on the inverting terminal, by using Timer T1 in the input capture mode. The cycle count obtained in Timer T1 can be



COP800-24

Figure 12-6 A/D Conversion Using COP820CJ Comparator and Timer T1

converted into real time if it is scaled by the COP8 clock frequency. If the COP8 is clocked by a crystal, this parameter is known very accurately. Applications connected to the power line using an RC clock can use the line frequency as a reference with which to measure the RC clock. The time measurement is then converted into the voltage, either by direct calculation or by using a suitable approximation.

This very low cost technique is ideally suited to cost-sensitive applications which do not require high accuracy. The pulse width modulation A/D conversion technique will improve the accuracy at the cost of a higher conversion time. Application Note 607 describes this technique in detail.

The accuracy can be improved further by using a low-cost MM74HC4016 to multiplex the analog input voltage with an accurate voltage reference used for calibration. Replacing the resistor in the RC network with a current source will linearize the charging curve, offering better resolution.

The user must ensure that the input voltage supplied to the comparator lies within its input common mode range, which is shown in the characterization curves in the datasheet. This data shows that the input common mode range goes down to 0V if V_{CC} exceeds 4V and the magnitude of the offset voltage specification is relaxed to 25mV. The user must ensure that V_{IN} does not exceed the maximum input common mode range voltage during measurement.

Before the start of conversion, the capacitor must be discharged. The program must reconfigure pin L2 as an output logic low to perform the discharge. Timer T1 must be stopped and configured into input capture mode on a low-to-high transition. The T1 timer register must be cleared and pin G3 set up as a Hi-Z input. The comparator initialization described in Chapter 11 must also be performed. The conversion is started by starting timer T1 and then converting pin L2 back to an input.

The initial value of the comparator is zero. A capture event will occur when the RC voltage rises above the input voltage. If desired, the Timer T1 interrupt can be enabled to produce an interrupt on this capture event. The capture time can then be read and converted into voltage. This measurement technique has a resolution of 8 bits if the value of the timer is scaled to contain 1000 (or more) counts after five RC periods. The accuracy is primarily dependent on the accuracy of the user's estimation of the RC time constant, the offset voltage, and the user's approximation routine.

The following code example demonstrates how this is achieved in assembly code. In this example, polling the Timer T1 pending flag is used instead of interrupts. The 16-bit timer value is stored in REFHI:REFLO.

```

START:
; Discharge the capacitor by setting pin L2 to logic low and waiting.
        LD PORTLC,#004        ; Pin L2 is set to an output, logic low
        LD PORTLD,#000        ; to discharge the capacitor

DELAY:
        LD R0,#020            ; Delay depending on current limiting
DR0:    DRSZ R0                ; resistor
        JP DR0

; Set up the comparator.
        LD PORTLC,#001        ; Pin L0 is an output, pins L1 and L2 are
                                ; inputs
        LD PORTLD,#000
        SBIT CMPEN,CNTRL2
        SBIT CMPOE,CNTRL2

; Set up Port G as a Hi-Z input port
        LD PORTGD,#000        ; Port G is an 8 bit input port
        LD PORTGC,#000        ; with the weak pull-ups disabled

; Pre-load the timer with FFFF hex
        LD B,#TMRLO           ; Save bytes by using register B
        LD [B+],#0FF          ; Pre-load the timer with FFFF hex
        LD [B],#0FF

; Charge up the capacitor through pin L5 and start the timer
        LD B,#CNTRL1          ; Save bytes by using register B
        LD [B+],#0D0          ; Rising edge input capture, start Timer 1
                                ; B now points to PSW
        RBIT TPND,[B]         ; Ensure that the pending flag is zero

; Wait until the first capture and save the captured value in REFHI:REFLO
WAITC1:  IFBIT TPND,[B]       ; Wait until the first capture
        JP STORE1
        JP WAITC1

STORE1:  RBIT TPND,[B]        ; Reset the pending flag
        LD X,#TAULO           ; Save bytes by using register X
        LD A,[X+]             ;
        X A,REFLO             ; Store TAULO in REFLO
        LD A,[X-]             ;
        X A,REFHI            ; Store TAULO in REFHI

; End of example

```

12.5.2 Application Example: Battery-Powered Weight Measurement

Figure 12-7 shows the block diagram of a simple weight scale application. The pressure sensor circuit is based on a buffered Wheatstone bridge arrangement. A current source and a capacitor generate the linear ramp for the A/D conversion. A crystal oscillator is required for an accurate time base. The modulator is used in 50% duty cycle mode to generate an audible tone. A 24-segment LCD display indicates the weight to the user. Four inputs are used for configuring the scale.

The COP820CJ/COP840CJ is held in HALT mode when the appliance is not in use. As soon as a weight is applied to the system, the switch closes, waking up the COP using the Multi-Input Wakeup feature. The same port pin is then reconfigured as an output to power up the sensor circuit, even when the switch is open. Measurement and display are then performed. Finally, the device reconfigures the sensor power pin as a pulled-up Wakeup pin, disconnecting the power from the sensor circuit, and then enters HALT mode.

The 16-bit timer is used to generate the interrupts required to refresh the LCD display. A power-on reset circuit (not shown) is required in this application, as the Brown Out should be disabled to keep the HALT mode current as low as possible. With Brown Out disabled, the HALT mode current is typically less than 1 μ A. The Watchdog circuit is not essential in this application, but could be used to improve system reliability.

12.5.3 Zero Cross Detection

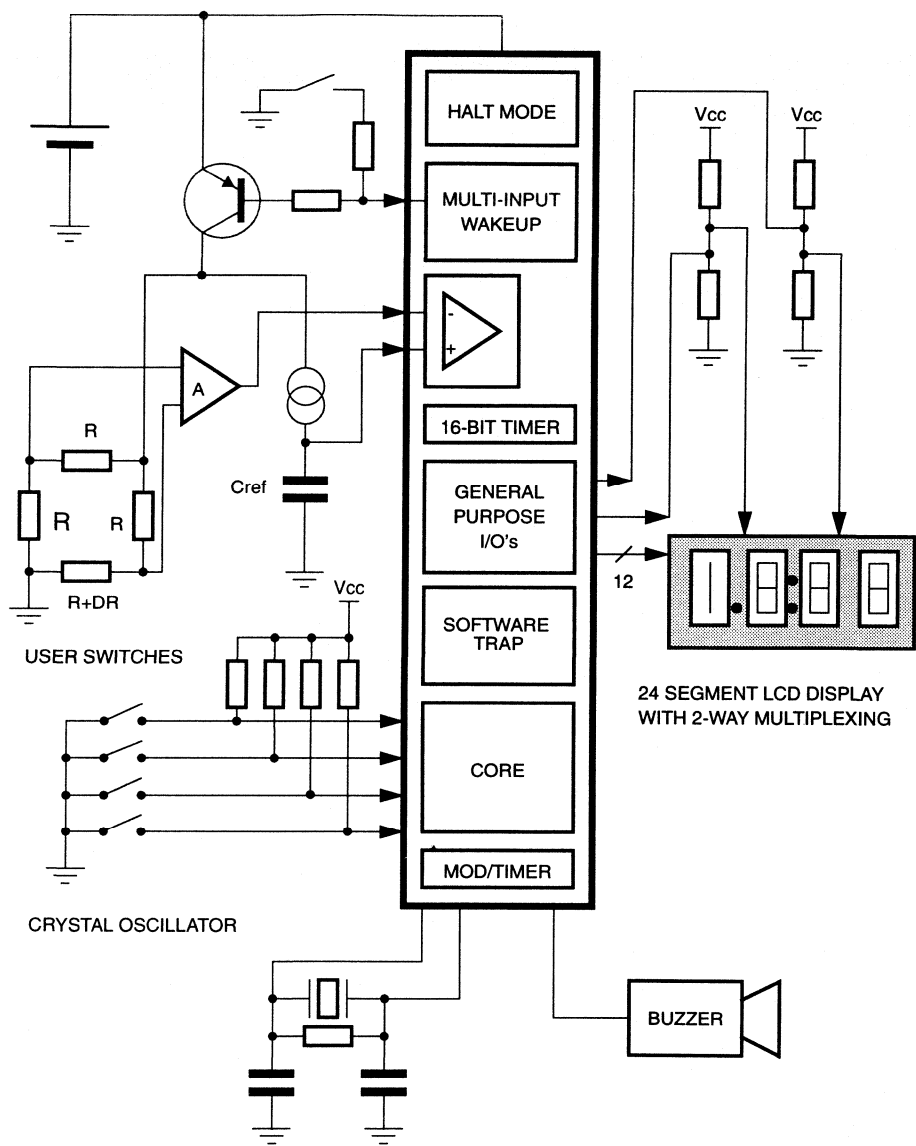
Zero cross detection is often used in appliances connected to the power line. The line frequency is a useful time base for applications such as industrial timers or an iron which switches off if it has not been used for five minutes. Phase-controlled applications require a consistent timing reference in phase with the line voltage.

The device requires a square wave, magnitude V_{CC} , at the same frequency as the power line voltage, connected to an input port pin for a simple time base. For a phase-control time base, this waveform should preferably be in phase with the line voltage, although control is still possible if there is a predictable, constant phase lag, less than the phase lag introduced by the load. The choice of zero cross detection circuit depends on factors such as cost, the type of power supply used in the appliance, and the expected interference.

The zero cross detection input can either be polled by software or can be connected to the G0 interrupt line. Polling the pin by software is the simplest technique and saves the interrupt for another function, but has the disadvantage that the polling procedure can be interrupted, causing inaccuracies in synchronization. Disabling the interrupt during the polling is not always possible, as the interrupt may be required for the implementation of other features.

Connecting the zero cross detection input to the external interrupt pin guarantees synchronization. It has the additional advantage that a regular interrupt is generated, which could interrupt the processor out of a fault condition. The interrupt routine only needs to test the integrity of the stack to determine whether such a fault has occurred.

The following software example shows how software polling of the zero cross line is implemented. The application example in Section 12.5.6 shows how interrupt-driven



COP800-25

Figure 12-7 Battery-powered Weight Measurement Using COP820CJ

zero cross detection can be used as a time base for phase control of appliances connected to the line.

```
ZCD:
    LD B, #STATUS          ; Save bytes using the B pointer
    IFBIT SYNCHRO, [B]    ; If SYNCHRO is 1, wait for a rising edge
    JP WLOHI              ; otherwise wait for a falling edge.

WHILO:   IFBIT 3, PORTLP   ; Wait for falling edge
         JP WHILO
         SBIT SYNCHRO, [B] ; SYNCHRO = 1, so wait for rising edge
         JP ENDZCD        ; next time.

WLOHI:   IFBIT 3, PORTLP   ; Wait for a rising edge
         JP RSYNC
         JP WLOHI

RSYNC:   RBIT SYNCHRO, [B] ; SYNCHRO = 0, so wait for a falling edge
         ; next time.

ENDZCD:                                     ; End of example
```

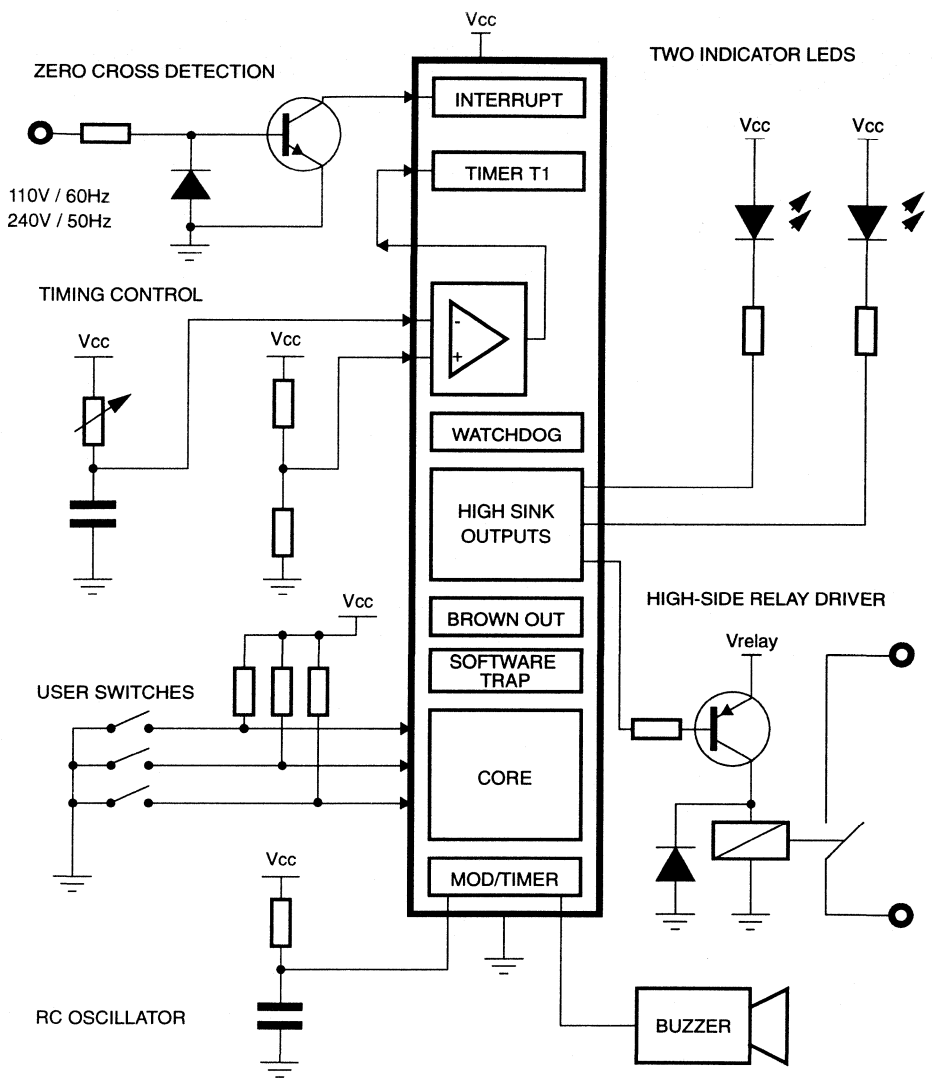
12.5.4 Application Example: Industrial Timer

Figure 12-8 shows the block diagram for an industrial timer. The user turns the potentiometer to set the required delay time. When the delay time has elapsed, a load is switched on or off, as selected by the input switches. The time base is derived from the power line using a simple zero cross detection circuit, thereby allowing the use of an inexpensive RC clock instead of a crystal oscillator. There are two indicator diodes and a buzzer driven by the Modulator/Timer.

The A/D conversion routine used by this industrial timer is based on the single slope technique defined in Section 12.5.1, but it has an important difference. Instead of connecting the variable resistor into a voltage divider circuit and measuring the voltage using the single slope technique, the variable resistor forms part of the RC network. The time that the variable RC circuit takes to exceed the fixed reference voltage is directly proportional to the value of the resistor, simplifying the conversion from time into resistance. The circuit as shown can be used to program a time proportional to the angle of the potentiometer setting. The potentiometer can be replaced by a rotary switch connected to a series of resistors, so that each position of the switch generates a different resistance. Here the COP820CJ can identify the switch positions if the difference in each resistance for each position is greater than the inaccuracy in measuring the absolute resistance.

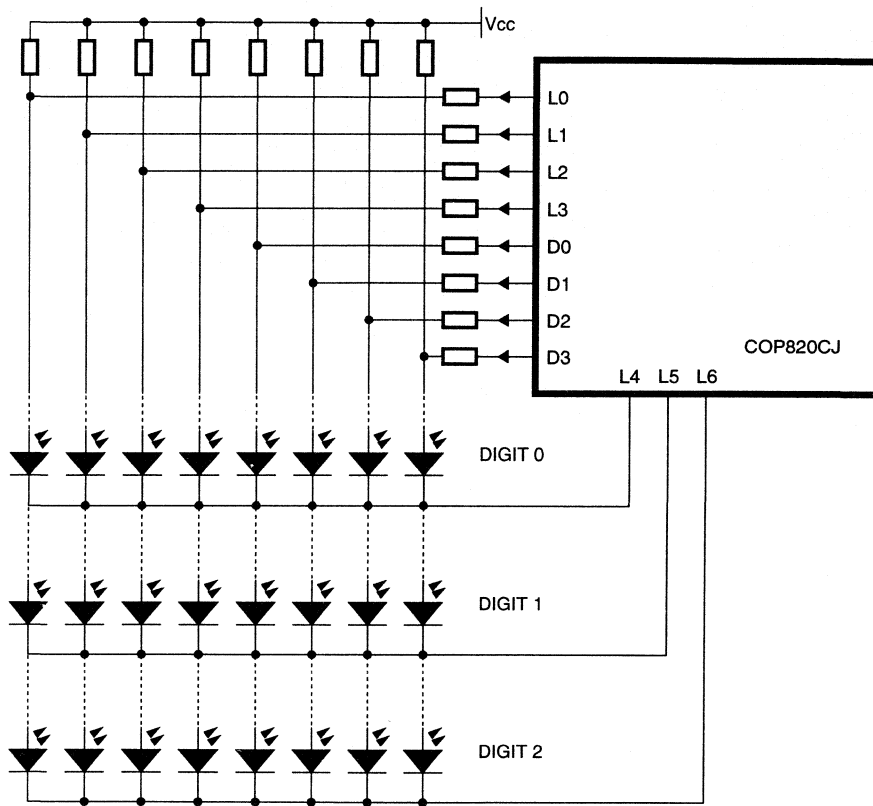
12.5.5 LED Drive Using the COP820CJ

The COP820CJ has four outputs, L4 to L7, which are individually capable of sinking high currents. They are suitable for use in multiplexed, high-efficiency LED displays. Figure 12-9 shows the structure for a three-way multiplexed LED display. Pins L0 to L3 and D0 to D3 drive the LEDs. All the current for the first eight segments is sunk through L4. The current for the second and third set of eight segments is sunk by L5 and L6, respectively. The eight identical resistors connected to the ports and the eight identical resistors connected to the V_{CC} line limit the current. The values of the V_{CC} resistors and



COP800-26

Figure 12-8 Industrial Timer Application Using The COP823CJ



COP800-27

Figure 12-9 3-way Multiplexed Led Display With COP820CJ

the port resistors set the current flow into the LED. The ratio of the port resistor value to the V_{CC} resistor value should be sufficiently low so that when the port outputs are switched low, the LED segments are never illuminated.

The multiplexing is performed in the following way. The COP820CJ generates a regular interrupt at a rate known as the multiplex rate. If this rate is too high, the COP will be overloaded. If it is too low, LED flicker will occur. The programmer should set the update rate as required by the application. After the first interrupt, or underflow of the timer if polling the TPND flag is chosen instead, the appropriate bit pattern for the first digit is written to L0-L3 and D0-D3. Pin L4 is set low to enable current to flow through the diodes in the first digit. Pins L5 and L6 are set high to stop current flowing in the second and third digits. The processor waits for the next interrupt or timer underflow, writes the bit pattern of the second digit to the relevant L and D port pins, and sets pin L5 low. L6 and L4 are set high. The third digit is displayed in a similar way, this time setting L6 low and setting L4 and L5 high. The procedure is then repeated.

The following software example demonstrates this procedure. The number in COUNTHI:COUNTLO is initialized to 268 decimal and is displayed on the LEDs. The variable DIGIT is a pointer to the digits.

.INCLD COP820CJ.INC

; Variables

DIGIT = 0
COUNTLO = 1
COUNTHI = 2
TEMP = 3

; Start of code

```
INIT:      LD SP,#02F          ; Initialize stack
           LD PORTLC,#0FF      ; Port L as output
           LD COUNTLO,#068     ; Shown number digit 0 & 1
           LD COUNTHI,#002     ; Shown number digit 2
           LD DIGIT,#0         ; Digit counter
           LD TMRLO,#02F      ; First timer value
           LD TMRHI,#0        ;
           LD TAULO,#0        ;Timer auto reload lo byte
           LD TAUHI,#010      ; Timer auto reload hi byte
           LD CNTRL,#090      ; Start timer, auto reload mode

WAIT:      IFBIT TPND,PSW     ; Timer underflow?
           JP OUT             ; Yes -> OUTPUT
           JP WAIT           ; No -> WAIT

OUT:       RBIT TPND,PSW     ; Reset timer underflow bit
           LD A,#3           ;
           IFEQ A,DIGIT      ; Last digit?
           LD DIGIT,#0       ; Yes -> reset digit counter

DIGXOUT:   JSR DIGOUT        ; Output current digit
           LD A,DIGIT        ; Increment and mask digit counter
           INC A             ;
           AND A,#03         ;
           X A,DIGIT         ;
           JP WAIT          ;
```

. = 0100

```
DIGOUT:    LD A,DIGIT                ; Choose the correct subroutine depending on
           ADD A,#L(TABLE)          ; DIGIT
           JID
TABLE:     ; actual digit table:
           .ADDR DIG0
           .ADDR DIG1
           .ADDR DIG2

DIG0:     LD A,COUNTLO              ; Least significant nibble
           JSR DATA                ; Prepare data lines
           RBIT 4,PORTLD            ; Switch on digit 0
           RET

DIG1:     LD A,COUNTLO              ; Output middle nibble
           SWAP A                    ; It's the higher nibble of COUNTLO
           JSR DATA                ; Prepare data
           RBIT 5,PORTLD            ; Switch on digit 1
           RET

DIG2:     LD A,COUNTHI              ; Output most significant nibble
           JSR DATA                ; Prepare data
           RBIT 6,PORTLD            ; Switch on digit 2
           RET

DATA:     JSR BCD27                  ; Conversion BCD to 7 segment code
           X A,TEMP                  ; Save to temporary variable
           LD A,TEMP                 ; and restore A
           OR A,#0F0                 ; Switch off all digits
           X A,PORTLD                ; and write L Port value
           LD A,TEMP                 ; Get actual BCD value
           AND A,#0F0                ; Clear the lower nibble
           X A,TEMP                  ; Save value
           LD A,PORTD                ; Read D Port value
           SWAP A                    ;
           AND A,#00F                ; Clear the higher nibble
           OR A,TEMP                 ; Combine with prepared TEMP
           SWAP A                    ;
           X A,PORTD                 ; and write it back
           RET
```

```

BCDTAB:                                ; Example of a BCD to 7 segment table
    .BYTE 03F                            ; 0
    .BYTE 006                            ; 1
    .BYTE 05B                            ; 2
    .BYTE 04F                            ; 3
    .BYTE 066                            ; 4
    .BYTE 06D                            ; 5
    .BYTE 07D                            ; 6
    .BYTE 007                            ; 7
    .BYTE 07F                            ; 8
    .BYTE 06F                            ; 9
    .BYTE 077                            ; A
    .BYTE 07C                            ; B
    .BYTE 058                            ; C
    .BYTE 05E                            ; D
    .BYTE 079                            ; E
    .BYTE 071                            ; F

BCD27:                                  ; BCD to 7 segment conversion routine
    AND A, #00F                          ; Mask out upper nibble of A
    ADD A, #L(BCDTAB)                    ; Look up value in table.
    LAID
    RET

.END

```

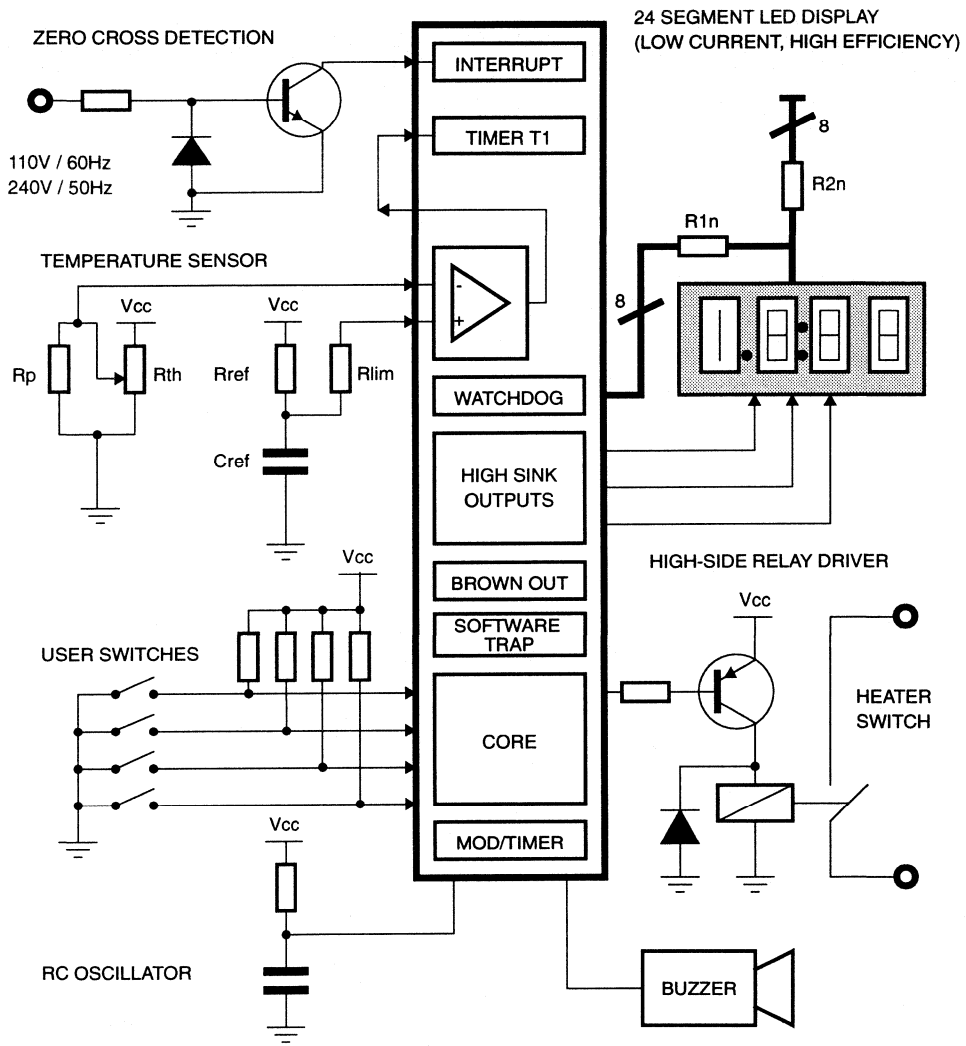
12.5.6 Application Example: Temperature Control

Figure 12-10 shows the block diagram for a household appliance with temperature control such as a coffee maker. The appliance measures the temperature using a thermistor which is linearized with a parallel resistor and connected to the COP820CJ comparator. This configuration performs single slope A/D conversion. The zero cross detection circuit provides the time-base for the system used for calibration of the A/D converter and for the generation of the time display. A high efficiency, low power 24 segment LED display is connected to the COP820CJ to indicate elapsed time and the operating mode to the user. The heater switch is connected to a high-side driver to ensure additional safety. If the relay primary winding is disconnected or shorted to ground, the heater will not operate. Four switches for user input have been provided.

The safety of the system is enhanced by using the Brown Out option, the Watchdog timer and the software interrupt. All unused code areas should be filled with 00 hex, the opcode for the INTR instruction. The Watchdog Timer is used to prevent the program from being caught in an infinite loop. The Brown Out detection protects against transients on the power supply.

12.5.7 Phase Control of an AC Load

The variable duty cycle mode of the Modulator/Timer, in conjunction with a zero cross detection interrupt routine is ideally suited to phase control of single-phase AC loads. The program example below shows how a triac is triggered 6.65 ms after the zero-cross on each half-cycle of the power line. The crystal frequency is assumed to be 10 MHz, resulting in a resolution of 1 μ s on Timer T1.



COP800-28

Figure 12-10 Temperature Controlled Appliance Using COP820CJ

After each interrupt, Timer T1 is loaded with the desired angle of 6.655 ms or 01A00 hex and MODRL is loaded with 25 to give a triac gate pulse width of 26 us. The variable duty cycle mode is initialized and Timer T1 is started.

This example is suitable for the phase control in light dimmer or in motor control applications. Figure 12-11 shows a schematic of such an application, using blocks already encountered in the previous examples. Here, the power is directly controlled by the value of the variable resistor. The A/D conversion routine cannot use Timer T1 to generate interrupts in this example. However, Timer T1 can still be read as a time-base within any particular half cycle.

```
.INCLD COP820CJ.INC

ANGLEL = 000
ANGLEH = 001

START:
    LD SP,#02F                ; Initialize the stack
    RBIT 7,PORTLD             ; Pin L7 is an output, logic low for TRIAC
    SBIT 7,PORTLC
    RBIT 3,PORTGD             ; Pin G3 is a Hi-Z input
    RBIT 3,PORTGC
    RBIT 0,PORTGD             ; Pin G0 is a Hi-Z input for ZCD
    RBIT 0,PORTGC
    LD B,#TAULO
    LD [B+],#OFF              ; Maximum possible value in the
    LD [B+],#OFF              ; auto-reload register
    ;
    ; B now points to CNTRL
    LD [B+],#0A7              ; Auto-reload, toggle, stop timer, rising
    ; interrupt edge
    ;
    ; B now points to PSW
    LD [B],#002               ; External ZCD interrupts enabled,
    ; pending flags cleared

    LD B,#ANGLEL
    LD [B+],#000              ; Set the firing angle to 1A00 hex
    LD [B+],#01A

    SBIT GIE,PSW              ; Enable ZCD interrupts

WAIT:    JP WAIT              ; Wait for interrupt

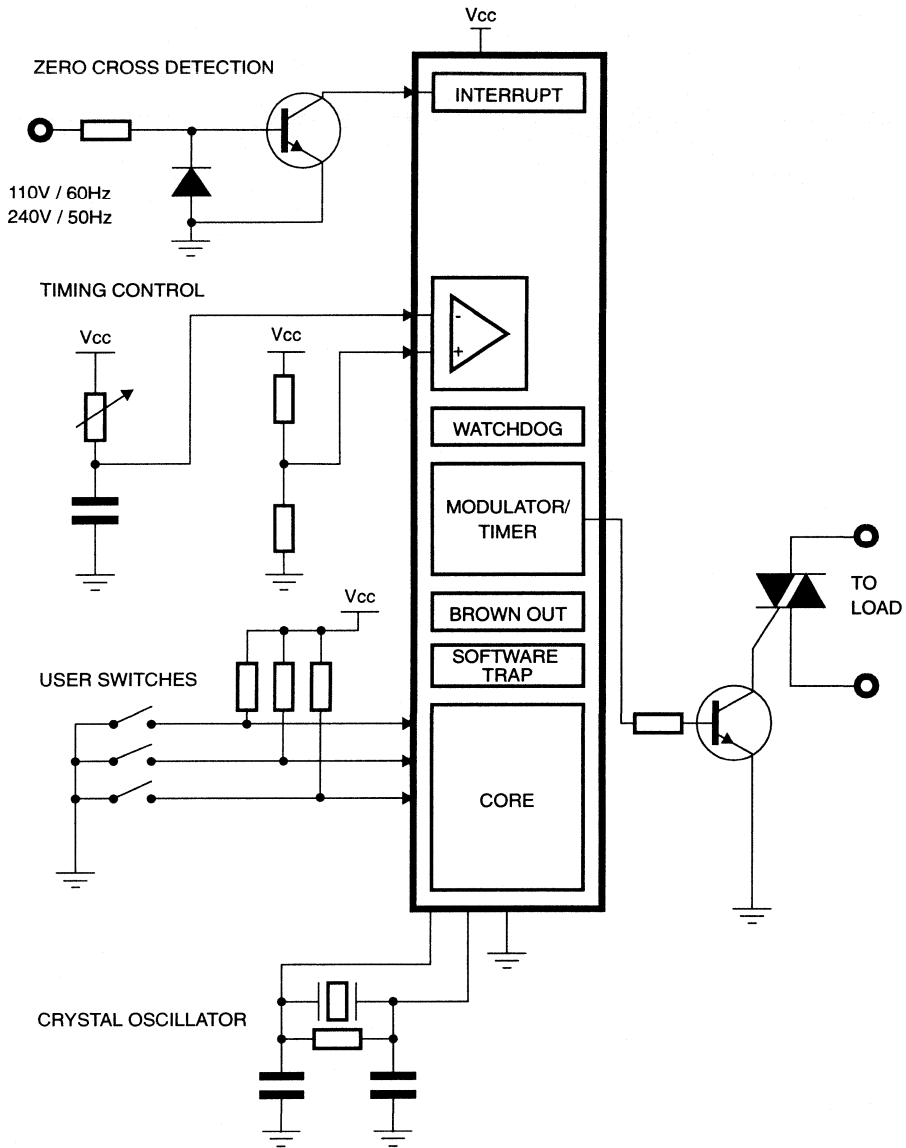
; Interrupt handler

.=OFF

IHDL:
    IFBIT IPND,PSW           ; An external interrupt indicates a zero
    JP ZCD                   ; cross event.

FAIL:    JP FAIL              ; A software interrupt will have
    ; caused this event.

ZCD:     RBIT TRUN,CNTRL1     ; Stop Timer T1
```



NOTE: Either V_{CC} or GND must be connected to one of the power terminals for this to function.

COP800-29

Figure 12-11 AC Phase Control Application Using COP820CJ

```

LD B,#ANGLEL
LD X,#TMRLO
LD A,[B+]           ; Load Timer T1 with the desired angle value
X A,[X+]
LD A,[B+]
X A,[X+]

LD MODRL,#25       ; Set the TRIAC firing pulse width to 26us
LD CNTRL2,#040     ; Set up modulator timer into variable
                   ; duty cycle mode

RBIT 7,PORTLD      ; Set up pin L7 to output logic 0
SBIT TRUN,CNTRL1   ; Start the timer.

EDGESW:
LD B,#CNTRL1
                   ; Toggle the interrupt routine edge so
                   ; that both +ve and -ve half cycles are
                   ; used.
IFBIT IEDG,[B]
JP REDG
SBIT IEDG,[B]
JP ENDINT
REDG:  RBIT IEDG,[B]

ENDINT:
RBIT IPND,PSW
RETI

; End of the example

```

12.5.8 Application Example: Remote Control Unit

A battery-powered remote control unit application using the COP820CJCOP840CJ is presented in Chapter 11. The unit transmits a specific code using an infrared LED each time a particular key is pressed. For details, see Chapter 11.

12.6 PROGRAMMING EXAMPLES

This section is intended to be an overview of programming examples. For more detailed and varied programming examples, refer to the Microcontroller Databook or call the Customer Response Center at 1-800-272-9959 (also see Section 12.7).

12.6.1 Clear RAM

The following program clears all RAM locations except for the stack pointer. The value of the argument to IFBNE may need to be adjusted, depending on the size of RAM in specific family members.

COP8 PROGRAM TO CLEAR ALL RAM EXCEPT SP

```
addr:
0000:  LD      0FC,#07 ;Define X-pointer as counter
          0
0002:  LD      B,#0    ;Initialize B pointer
0003:  LD      [B+],#0 ;Load mem with 0 and incr B pointer
0005:  DRSZ   0FC      ;Decrement counter
0006:  JP      0003    ;Skip if lower half RAM is cleared
0007:  LD      B,#0F0  ;Point B to upper half of RAM
0009:  LD      [B+],#0 ;Load upper RAM half with 0
000B:  IFBNE  #0D      ;until B points to 0FD (=SP)
000C:  JP      009     ;Skip if B=0FD
000D:  LD      B,#0    ;Initialize B to 0
```

12.6.2 Binary/BCD Arithmetic Operations

The arithmetic instructions include the Add (ADD), Add with Carry (ADC), Subtract with Carry (SUBC), Increment (INC), Decrement (DEC), Decimal Correct (DCOR), Clear Accumulator (CLR), Set Carry (SC), and Reset Carry (RC). The shift and rotate instructions, which include the Rotate Right through Carry (RRC), and the Swap accumulator nibbles (SWAP), may also be considered arithmetic instruction variations. The RRC instruction is instrumental in writing a fast multiply routine.

In subtraction, a borrow is represented by the absence of a Carry and vice versa. Consequently, the Carry flag needs to be set (no borrow) before a subtraction, just as the Carry flag is reset (no carry) before an addition. The ADD instruction does not use the Carry flag as an input. It should also be noted that both the Carry and Half Carry flags (Bits 6 and 7, respectively, of the PSW control register) are cleared with RESET and remain unchanged with the ADD, INC, DEC, DCOR, CLR, and SWAP instructions. The DCOR instruction uses both the Carry and Half Carry flags. The SC instruction sets both the Carry and Half Carry flags, while the RC instruction resets both these flags.

The following program examples illustrate additions and subtractions of 4-byte data fields in both binary and BCD (Binary Coded Decimal). The four bytes from data memory locations 24 through 27 are added to or subtracted from the four bytes in data memory locations 16 through 19. The results replace the data in memory locations 24 through 27.

These operations are performed both in binary and BCD. It should be noted that the BCD preconditioning of adding (ADD) the hexadecimal value 66 is necessary only with the BCD addition, not with the BCD subtraction. The binary coded decimal DCOR (Decimal Correct) instruction uses both the Carry and Half Carry flags as inputs but does not change the Carry and Half Carry flags. Also note that the #12 with the IFBNE instruction represents 28 minus 16, since the IFBNE operand is modulo 16 (remainder when divided by 16).

BINARY ADDITION:

```

LD      X, #16      ;NO LEADING ZERO
LD      B, #24      ;INDICATES DECIMAL
RC
LOOP:   LD      A, [X+]
        ADC     A, [B]
        X      A, [B+]
        IFBNE  #12
        JP     LOOP
        IFC
        JP     OVFLOW ;OVERLFLOW IF C

```

BINARY SUBTRACTION:

```

LD      X, #010     ;LEADING ZERO
LD      B, #018     ;INDICATES HEX
SC
LOOP:   LD      A, [X+]
        SUBC   A, [B]
        X      A, [B+]
        IFBNE  #12
        JP     LOOP
        IFNC
        JP     NEGRSLT ;NEG. RESULT IF NO C
                    (NO C = BORROW)

```

BCD ADDITION:

```

LD      X, #010     ;LEADING ZERO
LD      B, #018     ;INDICATES HEX
RC
LOOP:   LD      A, [X+]
        ADD    A, #066 ;ADD HEX 66
        ADC    A, [B]
        DCOR   A      ;DECIMAL CORRECT
        X      A, [B+]
        IFBNE  #12
        JP     LOOP
        IFC
        JP     OVFLOW ;OVERFLOW IF C

```

BCD SUBTRACTION:

```

LD      X, #16      ;NO LEADING ZERO
LD      B, #24      ;INDICATES DECIMAL
SC
LOOP:   LD      A, [X+]
        SUBC   A, [B]
        DCOR   A      ;DECIMAL CORRECT
        X      A, [B+]
        IFBNE  #12
        JP     LOOP
        IFNC
        JP     NEGRSLT ;NEG. RESULT IF NO C
                    (NO C = BORROW)

```

Note that the previous additions and subtractions are not “adding machine” type arithmetic operations in that the result replaces the second operand rather than the first. The following program examples illustrate “adding machine” type operations where the result replaces the first operand. With subtraction, this entails the result replacing the minuend rather than the subtrahend.

BINARY ADDITION:

```

        LD     B, #16
        LD     X, #24
LOOP:   LD     A, [X+]
        ADC   A, [B]
        X     A, [B+]
        IFBNE #4
        JP    LOOP
        IFC   ;OVERFLOW IF C
        JP    OVFLOW ;OVERFLOW IF C

```

BINARY SUBTRACTION:

```

        LD     B, #010
        LD     X, #018
LOOP:   LD     A, [X+]
        X     A, [B]
        SUBC  A, [B]
        X     A, [B+]
        IFBNE #4
        JP    LOOP
        IFNC  ;NEG. RESULT IF NO C
        JP    NEGRSLT ;NEG. RESULT IF NO C
                    (NO C = BORROW)

```

BCD ADDITION:

```

        LD     B, #010
        LD     X, #018
LOOP:   LD     A, [X+]
        ADD   A, #066
        ADC   A, [B]
        DCOR  A
        X     A, [B+]
        IFBNE #4
        JP    LOOP
        IFC   ;OVERFLOW IF C
        JP    OVFLOW ;OVERFLOW IF C

```

BCD SUBTRACTION:

```

        LD     B, #16
        LD     X, #24
LOOP:   LD     A, [X+]
        X     A, [B]
        SUBC  A, [B]
        DCOR  A
        X     A, [B+]
        IFBNE #4
        JP    LOOP
        IFNC  ;NEG. RESULT IF NO C
        JP    NEGRSLT ;NEG. RESULT IF NO C
                    (NO C = BORROW)

```

The following hybrid arithmetic example adds five successive bytes of a data table in ROM program memory to a two-byte SUM, and then subtracts the SUM from a two-byte total TOT. Assume that the ROM table is located starting a program memory address 0401, while SUM and TOT are at RAM data memory locations 1, 0 and 3, 2, respectively, and that the program is encoded as a subroutine.

```

ROM TABLE:
    .=0401
    .BYTE 102
    .BYTE 41
    .BYTE 31
    .BYTE 26
    .BYTE 5
TABLE: TOP DOWN
ARITHMETIC: BOTFOM UP
    SUMLO = 0
    SUMHI = 1
    TOTLO = 2
    TOTHI = 3
ARITH1: LD     X, #5      ;SET UP ROM TABLE PTR
        LD     B, #0      ;SET UP SUM POINTER
LOOP:   RC
        LD     A, X       ;LOAD ROM PTR INTO ACC
        LAID           ;READ VALUE FROM ROM
        ADC    A, [B]     ;ADD SUMLO TO ROM VALUE
        X      A, [B+]    ;PUT RSLT BACK IN SUMLO
        CLR    A          ;CLR ACC
        ADC    A, [B]     ;ADD SUMHI TO ACC
        X      A, [B-]    ;PUT RSLT BACK IN SUMHI
        DRSZ   X          ;DECR. & TEST ROM PTR
        JP     LOOP       ;REPEAT LOOP IF PTR NOT 0
        SC
        LD     B, #2
LUP:    LD     A, [X+]     ;LOAD SUBTRAHEND FIRST
        X      A, [B]     ;REVERSE OPERANDS FOR SUBTRACTION
        SUBC   A, [B]
        X      A, [B+]    ;INCR. MINUEND POINTER
        IFBNE #4         ;REPEAT LOOP IF B PTR NOT EQUAL TO 4
        JP     LUP
        RET

```

12.6.3 Binary Multiplication

The following program listing shows the program for a 16-by-16-bit binary multiply subroutine. The multiplier starts in the lower 16 bits of the 32-bit result location. As the multiplier is shifted out of the low end of the result location with the RRC instruction, each multiplier bit is tested in the Carry flag. The multiplicand is conditionally added (depending on the multiplier bit) into the high end of the result location, after which the partial product is shifted down one bit position following the multiplier. Note that one additional terminal shift cycle is necessary to align the result.

```

;COP8          MULTIPLY (16X16) SUBROUTINE
;              MULTIPLICAND IN [1,0] MULTIPLIER IN [3,2]
;              PRODUCT IN [5, 4, 3, 2]
;
;              CNTR = 0F0
MULT:          LD              CNTR, #17
              LD              B, #4
              LD              [B+1], #0
              LD              [B], #0
              LD              X, #0
              RC
MLOOP:        LD              A, [B]
              RRC              A
              X                A, [B-]
              LD              A, [B]
              RRC              A
              X                A, [B-]
              LD              A, [B]
              RRC              A
              X                A, [B-]
              LD              A, [B]
              RRC              A
              X                A, [B]
              LD              B, #5
              IFNC
              JP              TEST
              RC
              LD              B, #4
              LD              A, [X+]
              ADC              A, [B]
              X                A, [B+]
              LD              A, [X-]
              ADC              A, [B]
              X                A, [B]
TEST:         DRSZ              CNTR
              JP              MLOOP
              RET

```

12.6.4 Binary Division

The following program shows a subroutine for a 16-by-16-bit binary division. A 16-bit quotient is generated along with a 16-bit remainder. The dividend is left shifted up into an initially-cleared 16-bit test window where the divisor is test-subtracted. If the test subtraction generates no high-order borrow, then the real subtraction is performed with the result stored back in the test window. At the same time, a quotient bit (equal to 1) is inserted into the low end of the dividend window to record that a real subtraction has taken place. The entire dividend and test window is then shifted up (left shifted) one bit position with the quotient following the dividend.

Note that the four left shifts (LD, ADC, X) in the LSHFT section of the program are repeated as straight-line code rather than a loop in order to optimize throughput time.

```

COP8      DIVIDE (16X16) SUBROUTINE
          DIVIDEND IN [3,2]
          DIVISOR IN [1,0]
          QUOTIENT IN [3,2]
          REMAINDER IN [5,4]

          CNTR = 0F0

DIV:      LD          CNTR, #16
          LD          B, #5
          LD          [B-], #0
          LD          [B], #0
          LD          X, #4
LSHFT:   RC
          LD          B, #2
          LD          A, [B]
          ADC         A, [B]
          X           A, [B+]
          LD          A, [B]
          ADC         A, [B]
          X           A, [B+]
          LD          A, [B]
          ADC         A, [B]
          X           A, [B+]
          LD          A, [B]
          ADC         A, [B]
          X           A, [B+]
TSUBT:   SC
          LD          B, #0
          LD          A, [X+]
          SUBC        A, [B]
          LD          B, #1
          LD          A, [X-]
          SUBC        A, [B]
          IFNC
SUBT:    JP          TEST
          LD          B, #0
          LD          A, [X]
          SUBC        A, [B]
          X           A, [X+]
          LD          B, #1
          LD          A, [X]
          SUBC        A, [B]
          X           A, [X-]
          LD          B, #2
          SBIT        0, [B]
TEST:   DRSZ        CNTR
          JMP         LSHIFT
          RET

```

With a division where the dividend is larger than the divisor (relative to the number of bytes), an additional test step must be added. This test determines whether a high-order carry is generated from the left shift of the dividend through the test window. When this carry occurs, the program branches directly to the SUBT subtract routine. This carry can occur only if the divisor contains a high-order bit. Moreover, the divisor must also be larger than the shifted dividend when the shift has placed a high-order bit in the test window. When this case occurs, the TSUBT test subtract shows the divisor to be larger than the shifted dividend and no real subtraction occurs. Consequently, the high-order bit of the shifted dividend is again left shifted and results in a high-order carry. This test is illustrated in the following program for a 24-by-8-bit binary division.

Note that the four left shifts (LD, ADC, X) in the LSHFT section of the program are repeated with the JP jump to LUP instruction in order to minimize program size.

```

COP8    DIVIDE (24X8) SUBROUTINE
        DIVIDEND IN [2,1,0]
        DIVISOR IN [4]
        QUOTIENT IN [2,1,0]
        REMAINDER IN [3]

        CNTR = 0F0

DIV:    LD      CNTR,#24
        LD      B,#3
        LD      [B],#0
LSHFT:  RC
        LD      B,#0
LUP:    LD      A,[B]
        ADC     A,[B]
        X      A,[B+]
        IFBNE  #4
        JP     LUP
        IFC
        JP     SUBT
TSUBT:  SC
        LD      B,#3
        LD      A,[B+]
        SUBC   A,[B]
        IFNC
        JP     TEST
SUBT:   LD      A,[B-]
        X      A,[B]
        SUBC   A,[B]
        X      A,[B]
        LD      B,#0
        SBIT   0,[B]
TEST:  DRSZ   CNTR

```

12.7 DAIL-A-HELPER

The Dial-A-Helper is an Electronic Bulletin Board Information system provided by the Microcontroller Applications group.

The Dial-A-Helper system provides access to an automated information storage and retrieval system that may be accessed over standard dial-up telephone lines 24 hours a day. The system capabilities include a MESSAGE SECTION (electronic mail) for communications to and from the Microcontroller Applications Group and a FILE SECTION which consists of several file areas where valuable application software and utilities could be found. The minimum requirement for accessing the Dial-A-Helper is a Hayes compatible modem.

If the user has a PC with a communications package then files from the FILE SECTION can be down loaded to disk for later use.

Dial-A-Helper also provides immediate factory applications support. If a user has questions, he can leave messages on our electronic bulletin board, which we will respond to.

Voice: (800) 272-9959

Modem: CANADA/U.S.: (800) NSC-MICRO
(800) 672-6427

Baud: 14.4k

Set-Up: Length: 8-Bit

Parity: None

Stop Bit: 1

Operation: 24 Hours, 7 Days

12.8 EXTERNAL POWER WAKEUP CIRCUIT

Power-on wakeup is a technique used in battery powered applications such as electronic keys or digital scales to save battery power. Instead of using the HALT mode when the application is not in use, the COP device is powered off. If there is only one input switch in the application, the implementation is simple. This switch is put in series with the battery, providing power to the circuit when the switch is closed.

If there is more than one switch, power-on wakeup can be achieved by using an NPN transistor and one resistor per switch as shown in Figure 12-12. Here, the circuit ground is connected to the battery negative terminal via the NPN transistor. If the base is floating, it will not conduct. If the base is pulled to V_{CC} via a current-limiting resistor, it will conduct, powering up the circuit.

An alternative technique is shown in Figure 12-7. Here the positive terminal of the battery is connected to the V_{CC} line via a switch, a diode and two resistors per line. If a switch is pressed, power is applied to the V_{CC} line. The pull-down resistors pull any ports connected to open switches to ground. If the switch is closed, the voltage on the switch will be V_{CC} plus the diode voltage drop. If this potential were directly applied to the L port pin, the COP device would be driven outside the operating specification. Therefore, series protection resistors are used on all Port L pins connected to the switches.

12.9 EXTERNAL WATCHDOG CIRCUIT

In the following application examples, the COP8 device sends a continuous square wave to an external Watchdog circuit. If the user program gets stuck in a software loop and the square wave is not generated, the external circuit will provide a high transition (Circuit A) or a low transition (Circuit B). The output of the Watchdog circuit may be connected to the COP $\overline{\text{RESET}}$ pin or the system reset in order to generate a reset on a Watchdog error.

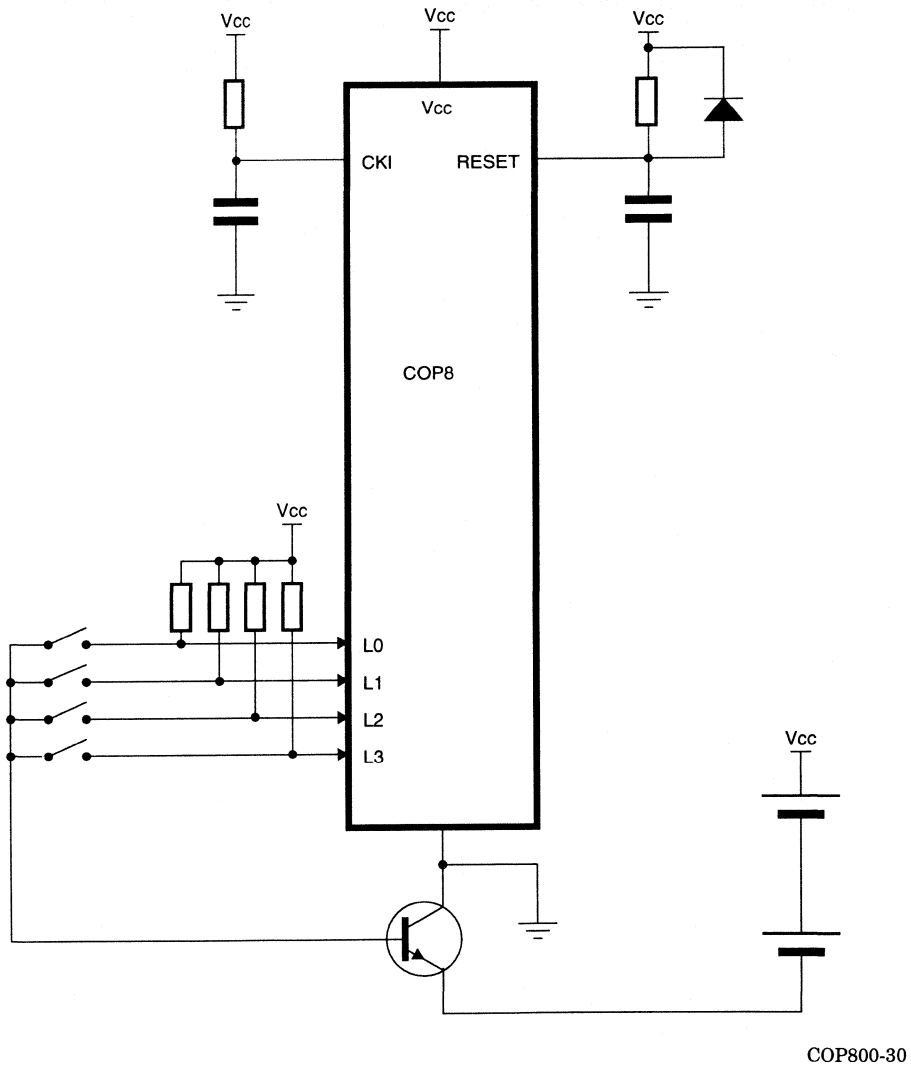
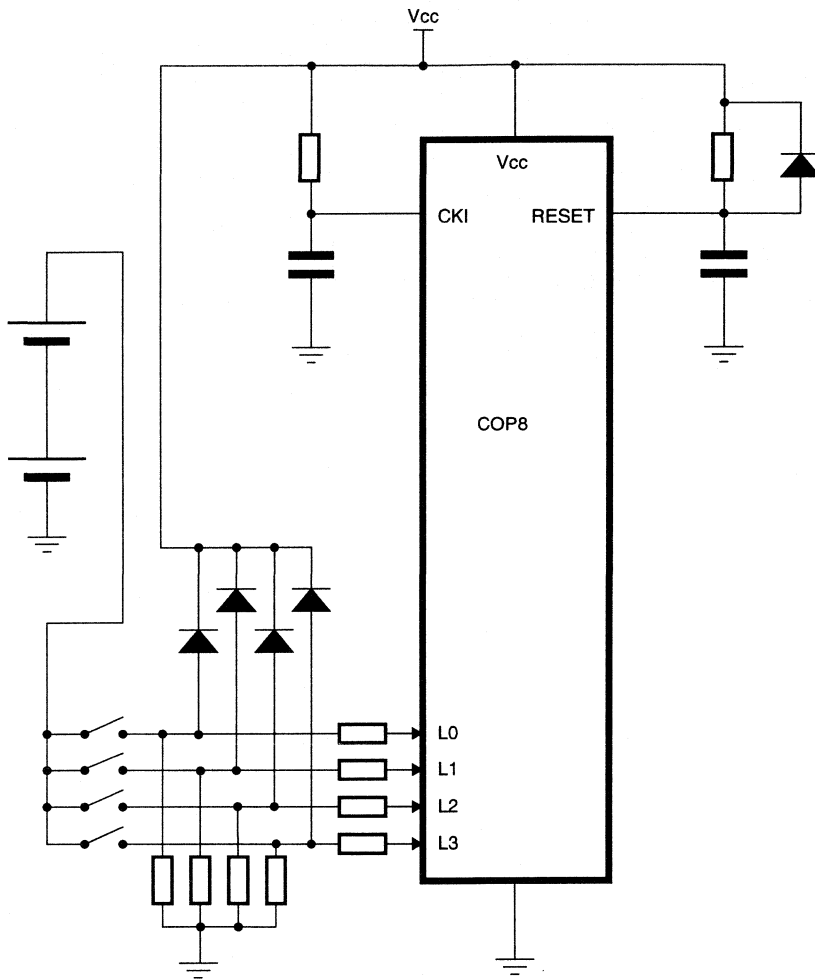


Figure 12-12 Power Wakeup Using An NPN Transistor



COP800-31

Figure 12-13 Power Wakeup Using Diodes And Resistors

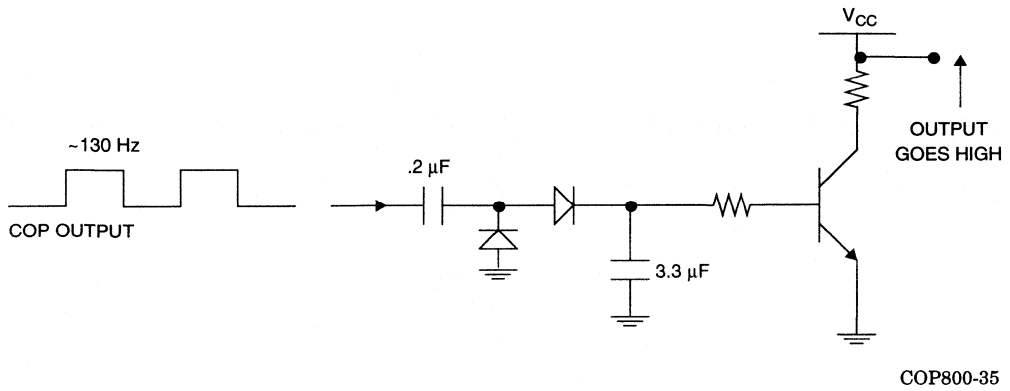


Figure 12-14 External Watchdog Circuit A

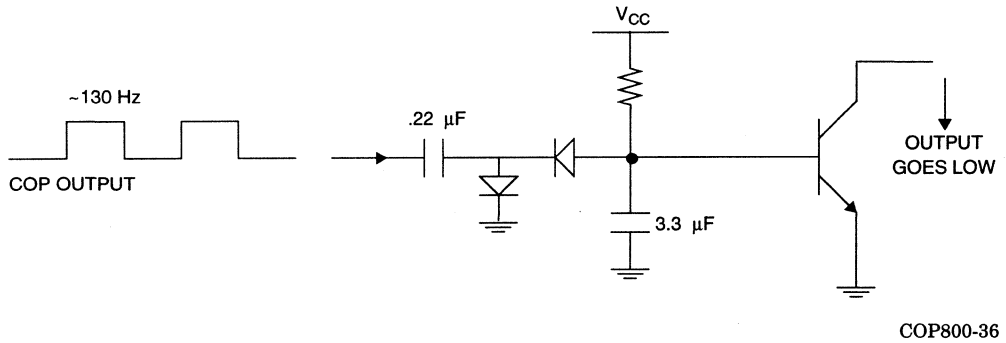
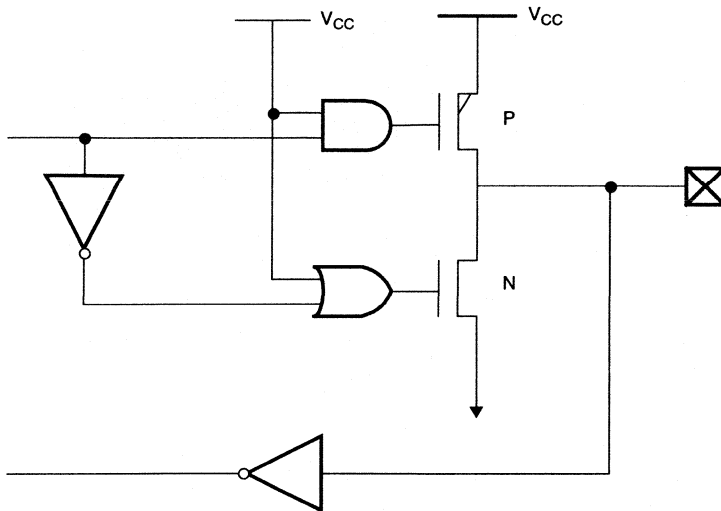


Figure 12-15 External Watchdog Circuit B

12.10 INPUT PROTECTION ON COP8 PINS

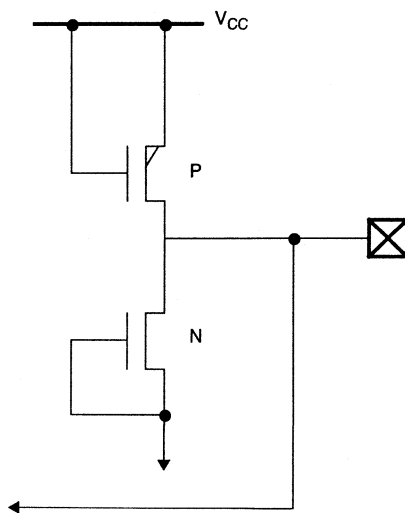
The COP8 Basic Family input pins have internal circuitry for protection from ESD. The

internal circuitry is shown in Figures 12-16 and 12-17.



COP800-37

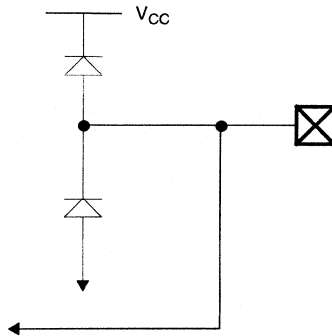
Figure 12-16 Ports L/C/G Input Protection (Except G6)



COP800-38

Figure 12-17 Port I Input Protection

The input protection circuitry is implemented with the P_channel transistors. The equivalent diode circuit is shown in Figure 12-18.



COP800-39

Figure 12-18 Diode Equivalent of Input Protection

When the inputs are tri-stated and the input voltage on the pin is between GND and V_{CC} , the input protection diodes are off. The only current drawn into or out of the pin is leakage current. If the input is expected to be below GND and/or above V_{CC} , an external series resistor must be used to limit the input current below the maximum allowable current.

In addition to limiting the input current to below the maximum latchup spec (specified in the datasheet), the user should also consider the fact that drawing excessive continuous current into the pin, even though below the maximum latchup current, may cause overstress.

A typical example of drawing continuous current is in an automotive application where the ignition signal (battery) is connected to an input pin through a series resistor. Assuming a 100K series resistor with a tolerance of $\pm 10\%$, the worst case resistor value is 90K. The battery voltage is assumed to be 12V for normal operation and 24V for a “jump start.” The high voltage applied to the pin causes the on-chip protection diode to be forward biased, resulting in current into the associated V_{CC} metal trace. Based on a diode threshold voltage of 0.6V, the voltage at the pin will be $V_{CC} + 0.6V$. Based on a V_{CC} value of 5V, the input current can be calculated as follows:

Normal Operation:

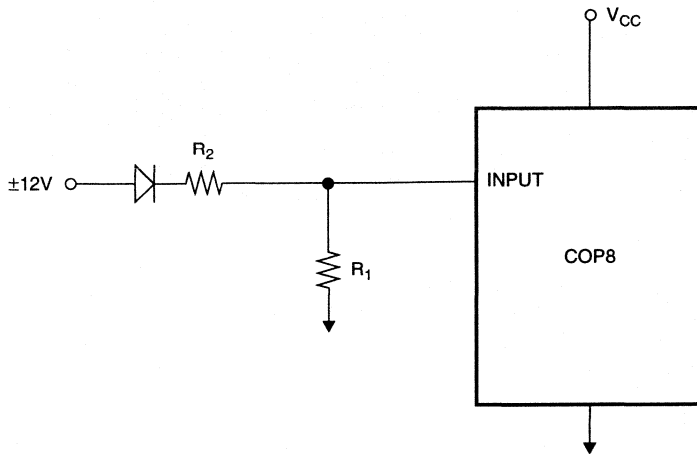
$$\text{Input current} = \frac{[12 - (5 + 0.6)]}{90K} = 71\mu\text{A}$$

Jump Start:

$$\text{Input current} = \frac{[24 + (5 + 0.6)]}{90K} = 204\mu\text{A}$$

A study of the internal circuitry indicates that the input pin can draw about 200 μA without causing any damage or reliability problem.

Another approach is to use appropriate external circuitry that prevents the input protection diodes from being biased. An example is shown in Figure 12-19.



COP800-40

Figure 12-19 External Protection of Inputs

The resistors are required to drop the +12V and the diode prevents the -12V from being applied to the pin.

For $V_I = 12V \pm 5\%$ and $V_{CC} = 5V \pm 5\%$, the resistor values are calculated to be:

$$R_1 = 47K \pm 5\%$$

$$R_2 = 82K \pm 5\%$$

This analysis does not apply to G6, $\overline{\text{RESET}}$, and CKI which do not have the protection diodes. Implementation of the above circuit will result in a V_{IH} that is between $0.7 V_{CC}$ and V_{CC} , and a V_{IL} that is between V_{SS} (0V) and $0.2 V_{CC}$.

12.11 ELECTROMAGNETIC INTERFERENCE (EMI) CONSIDERATIONS

12.11.1 Introduction

CMOS has become the technology of choice for the processors used in many embedded systems due to its capability for low standby power consumption. However, CMOS is prone to high current transients on the power supply as the internal logic switches. These transients can easily be the source of high-frequency emissions from the system. The system designer should anticipate and minimize unwanted electromagnetic interference (EMI).

12.11.2 Emission Predictions

“EMI in a typical electronic circuit is generated by a current flowing in a loop configured within the circuit. These paths can be either V_{CC}-to-GND loops or output-to-GND loops. EMI generation is a function of several factors. Transmitted signal frequency, duty cycle, edge rates, and output voltage swings are the major factors of the resultant EMI levels.”¹

The formula for predicting the Electric Field emissions from such a loop is as follows:

$$|E|_{MAX} = \frac{1.32 \times 10^{-3} IA (Freq)^2}{D} \times \left(1 + \left(\frac{\lambda}{2\pi D} \right)^2 \right)^{1/2}$$

where:

- $|E|_{MAX}$ is the maximum E-field in the plane of the loop in $\mu\text{V/m}$
- I is the current amplitude in milliamps
- A is the loop area in square cm
- λ is the wavelength at the frequency of interest in meters
- D is the observation distance in meters
- $Freq$ is the frequency in MHz
- and the perimeter of the loop $P \ll \lambda$.

Applying this equation to a single standard output for a National Semiconductor Microcontroller, and performing a Fourier analysis of the output switching at a frequency of 20 MHz, yields the results shown in Table 12-1. These calculations assume a trace length of 5 inches, a board thickness of 0.062 inches and a full ground plane. The load capacitance is 100 pf.

Table 12-1 Electric Field Calculation Results

Harmonic (MHz)	Current (mA)	$ E _{Max}$ ($\mu\text{V/M}$)	$ E _{Max}$ ($\text{dB}\mu\text{V/M}$)
20	37.56	8.3	18.4
40	3.66	0.3	-10.2
60	26.13	44.2	33.0
80	4.44	0.6	-4.4
100	16.82	80.2	38.1
120	4.71	2.0	6.0
140	11.21	104.0	40.4
160	4.86	5.8	15.2
180	7.82	127.4	42.1

1. “FACT™ Advanced CMOS Logic Databook”, National Semiconductor, 1989

Note that the assumption is made that the output is switching at 20 MHz, which is rarely the case for a port output. There is noise, however, on the output at these frequencies due to switching within the device. This is the noise which is coupled to the output through V_{CC} and GND. Another point to keep in mind is that rarely does one single output switch, but usually several at one time, thus adding the effective magnetic fields from all the outputs which are switching.

Accurate analysis requires characterization of the noise present at the output due to V_{CC} or GND noise which is dependent on many factors, including internal peripherals in use, execution code, and address of memory locations in use.

12.11.3 Board Layout

There are two primary techniques of reducing emissions from within the application. This can be done either by reducing the noise or by controlling the antenna. Control of the antenna is accomplished through careful PC board layout.

General

Standard good PC layout practices will go a long way toward reducing emissions. Traces carrying large AC currents (such as signals with fast transition times, that drive large loads) should be kept as short as possible. Traces that are sensitive to noise should be surrounded by ground to the greatest extent possible. Ground and V_{CC} traces should be kept as short and wide as possible to reduce the supply impedance.

Ground Plane

One of the most effective ways to control emissions through board layout is with a ground plane. The use of a plane can help by providing a return path for fast switching signals, thus reducing loop size for both power and signals.

Multilayer Board

The best way to provide a ground plane is through the use of a multilayer printed circuit board. The large area and the proximity of the V_{CC} and GND planes provide additional decoupling for the power, and provide effective return paths for both power and signals.

The problem with the use of a multilayer board, particularly in consumer related industries, is cost. Due to the volumes involved, an addition of several dollars to the cost of an item may be prohibitive.

12.11.4 Decoupling

Control of the emitted noise can be accomplished by several techniques, including decoupling, reduced power supplies, and limitation of signal strength by the addition of series resistance.

It is important to take the time to properly design the decoupling for CMOS processors. Two decoupling techniques can and should be used to minimize both voltage and current switching noise in the system.

Capacitive Decoupling

Capacitive decoupling is commonly used to control voltage noise on the V_{CC} and GND lines of the board, but if the decoupling is properly designed and is kept as close as possible to the power pins of the device, it can also reduce the effective loop area and thus the antenna efficiency. Capacitive decoupling can prevent high-frequency current transients from being seen by the power supply.

One factor of capacitive decoupling which is often overlooked is the frequency response of the capacitors. Each capacitor, dependent on value, lead length, and dielectric material, possesses a series resonant frequency beyond which the device has inductive characteristics. This inductance inhibits the capacitor from responding quickly to the current needs of the processor and forces the current to use the longer path back to the main power supply.

These inductive characteristics can be countered by the addition of extra capacitors of different values in parallel with the original device. As the value of the capacitor decreases (for capacitors of similar manufacture), the resonant frequency increases.

Placing multiple decoupling capacitors across the power pins of the processor can effectively improve the high frequency performance of the decoupling network. Capacitance values are normally selected which are separated by a decade. However, it is best to check the specifications of the capacitors which are used.

Inductive Decoupling

Another very effective method of decoupling which is rarely used is inductive decoupling. The proper placement of ferrite beads between the decoupling capacitors and the processor can significantly reduce the current noise on the power pins.

The use of inductive decoupling, which will increase the series impedance of the power supply, appears to be contradictory to the effect of capacitive decoupling. However, the purpose of inductive decoupling is to force nodes internal to the processor, which are not switching, into providing the charge for the nodes which are switching.

Ferrite beads are very effective for this type of decoupling due to their lossy nature. Rather than storing the energy and returning it to the circuit later, ferrites will dissipate the energy as a resistor.

One should be aware of potential repercussions from the use of any type of series isolation from the power supply. Due to the reduced V_{CC} which may be present during switching transients, interfacing to other devices in the system may be a problem. Since the V_{CC} should only be reduced for the duration of the switching transient, this should only be a problem if the other devices have especially sensitive and fast-responding inputs.

12.11.5 Output Series Resistance

The addition of resistance in series with outputs can have a significant effect on the emissions caused by the switching of the outputs.

Outputs that drive large capacitive loads can have a lot of current flowing when they switch. While the series resistance may slow the switching speed of the node and thus affect the propagation delay, it can also have a large effect on emissions by reducing the amplitude of the current spike that charges or discharges the load.

12.11.6 Oscillator Control

One very definite source of emissions is the system clock. The some oscillator is intended to switch at high speed and therefore will emit some noise. Keeping the circuit loop of the oscillator as small as possible will help considerably.

Ceramic resonators are available with the capacitive load included in a single three terminal package. The use of these devices and placing them right next to the processor can reduce emissions as much as 10 dB.

RC oscillators are particularly troublesome for emissions due to the high transient current when the processor turns on the N-channel device that discharges the capacitor. The transistor is meant to be large and to turn on strongly in order to discharge the capacitor as quickly as possible. This allows simple control over the frequency of oscillation but causes difficulty for the designer of systems for EMI-sensitive applications.

12.11.7 Mechanical Shielding

A last resort for controlling emissions is the addition of mechanical shielding. While shielding can be effective and can be easier from an electrical design standpoint, the implementation and installation of a proper electromagnetic shield can be excessively costly and time consuming.

It is much better to design the system with the control of emissions in mind from the start rather than to apply bandages when it is time to begin production.

12.11.8 Conclusion

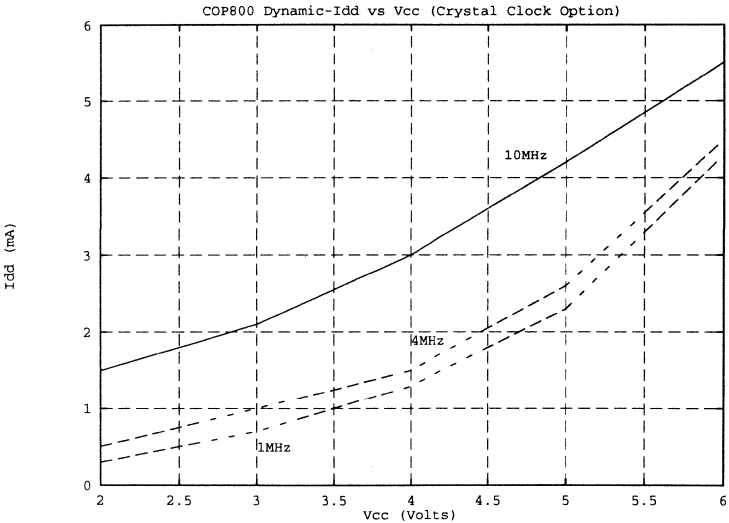
While electromagnetic emissions can be a problem for the designer of any electronic system, it is particularly troublesome in the design of high speed CMOS systems. With knowledge of the primary sources of noise, and the ways to combat that noise, it is possible to design and build systems which are electromagnetically quiet.

Very few references to specific values of capacitance, resistance, or inductance have been made in this document. The reason for this is that a value which works well in one application may not be effective in another. The best way to determine the values which will work well for a particular application is by experimentation.

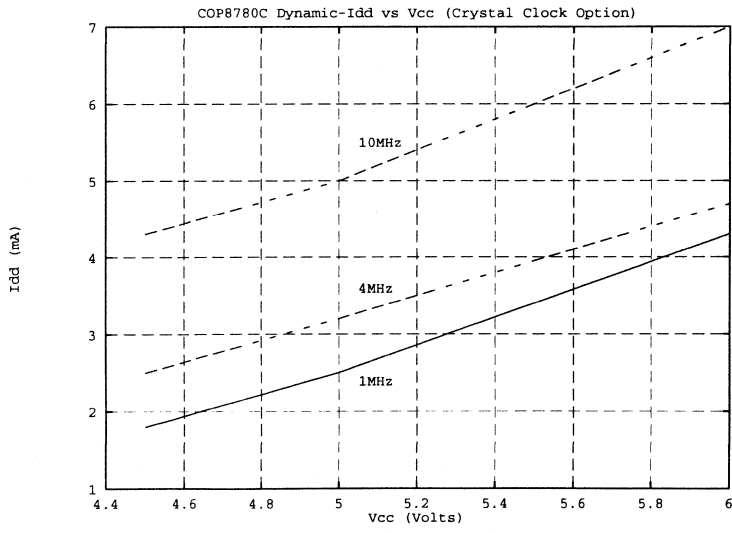
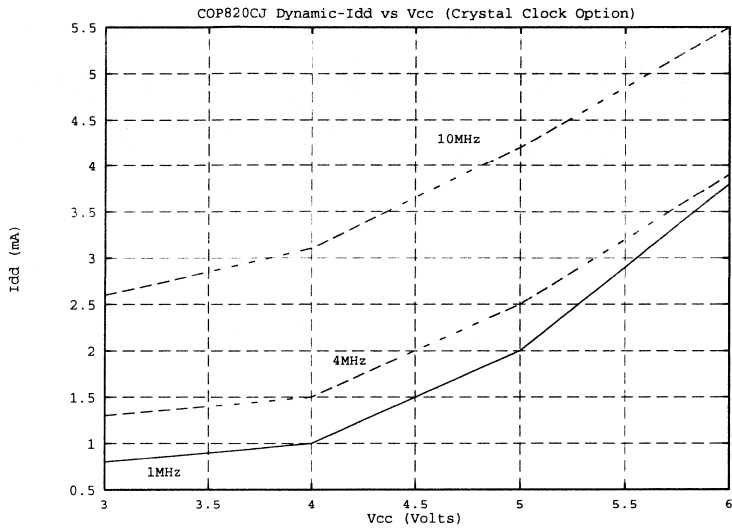
ELECTRICAL CHARACTERIZATION DATA

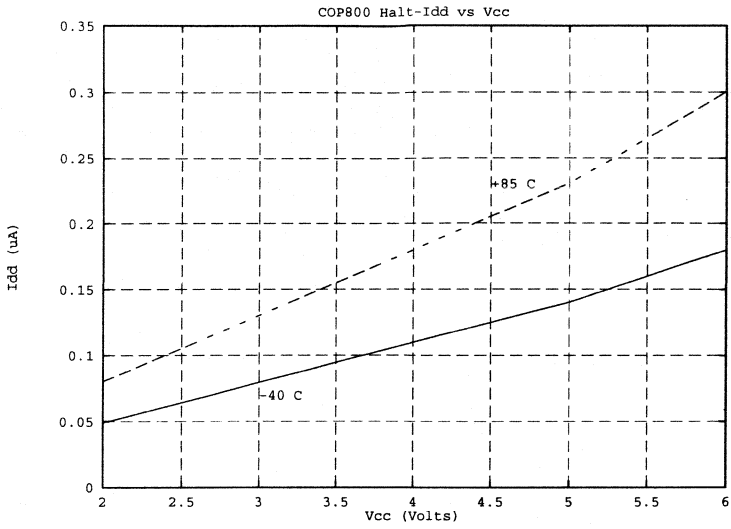
This appendix presents characterization data for the COP8 Basic Family members. All graphs in this appendix apply to the entire COP8 Basic Family unless otherwise noted.

Characterization data is information gained from testing a wide range of sample of parts. Most tests are performed over the full temperature and operating voltage range of the COP8 devices. All information provided in the graphs represents typical values. Most parts will meet these typical values. However, National Semiconductor does not guarantee these values on all parts. Guaranteed numbers are provided in the AC and DC Electrical Characteristics tables found in every datasheet. Guaranteed numbers are tested on all COP8 devices shipped to our customers.

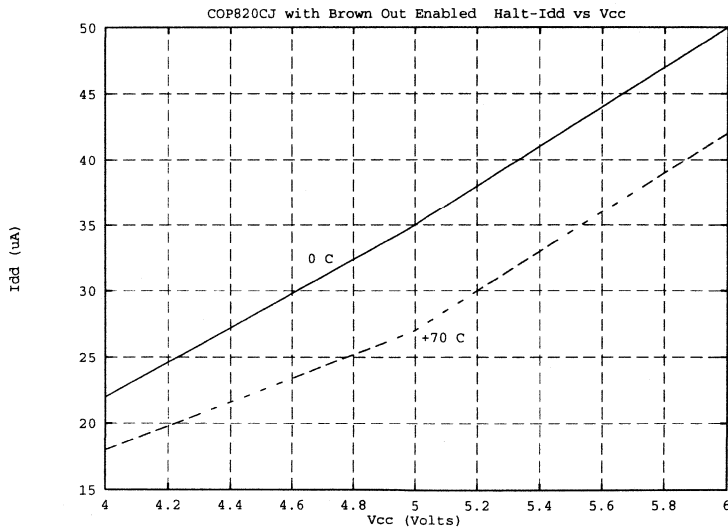


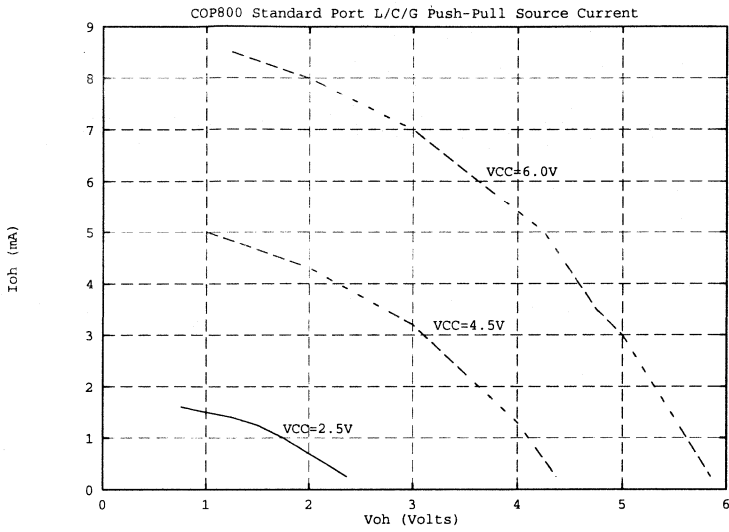
This graph is valid for all COP8 Basic Family members except the COP820CJ and COP8780C.



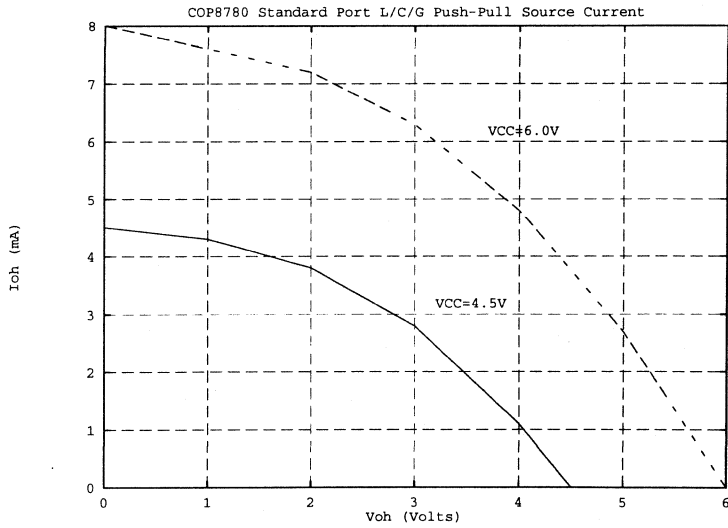


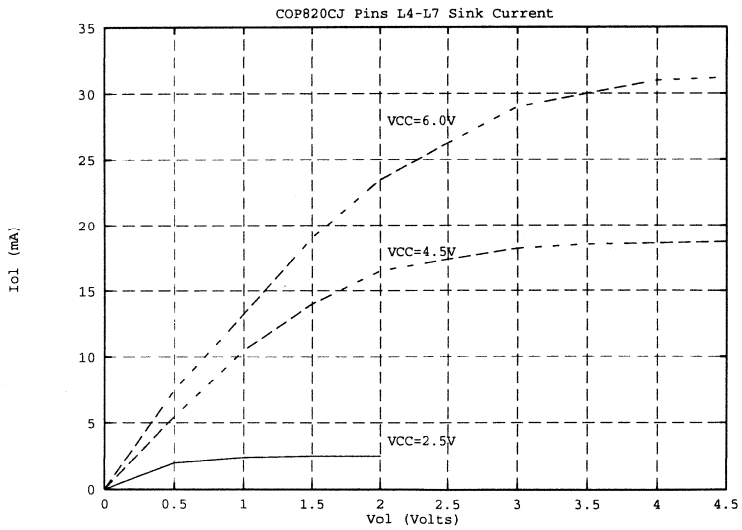
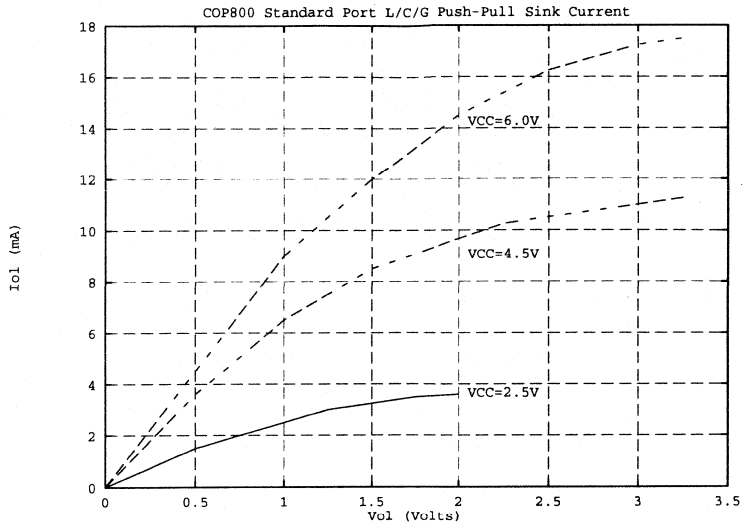
This graph is valid for all COP8 Basic Family members except the COP820CJ with Brown Out Enabled.

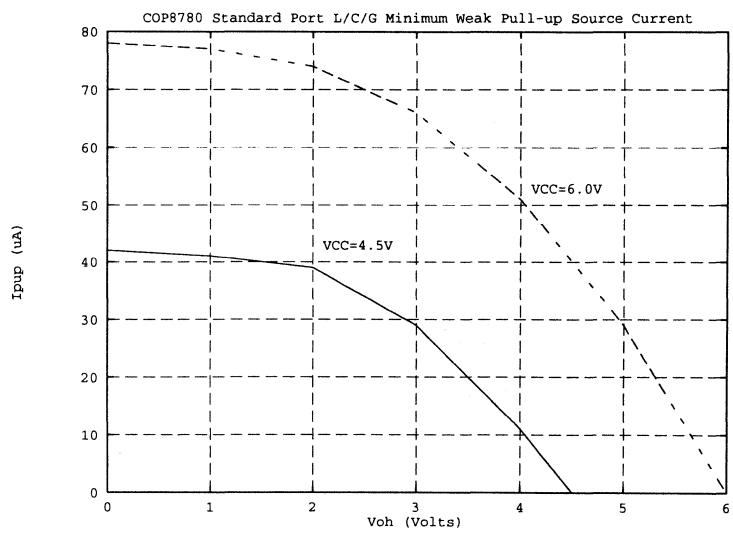
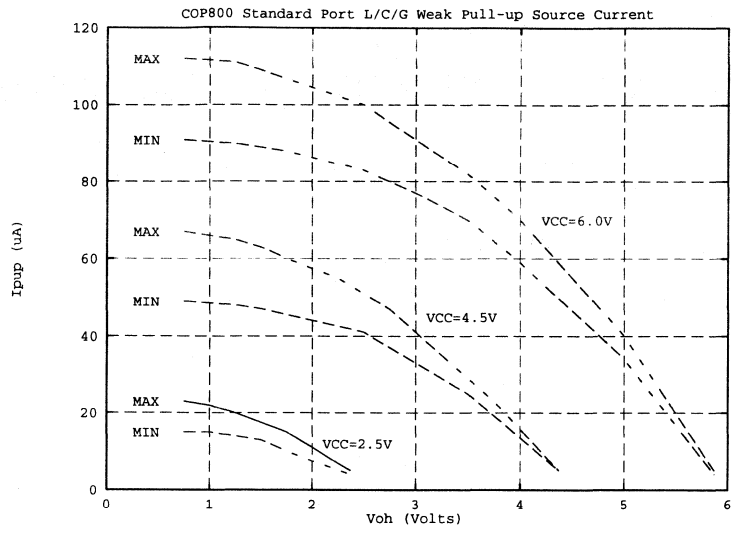




This graph is valid for all COP8 Basic Family members except the COP8780C.









READER'S COMMENT FORM

In the interest of improving our documentation, National Semiconductor invites your comments on this manual.

Please restrict your comments to the documentation. Technical Support may be contacted at:

800 272-9959 (U.S.)	U.S. and Canada
49 8141 103-0 (Germany)	Europe and Israel
852 737-1800 (Hong Kong)	South East Asia, Australia, New Zealand and India
03 3299-7001	Japan
(55-11) 212-5066	Brazil

Please rate this document according to the following categories. Include your comments below.

	EXCELLENT	GOOD	ADEQUATE	FAIR	POOR
Readability (style)	<input type="checkbox"/>	<input type="checkbox"/>	<input type="checkbox"/>	<input type="checkbox"/>	<input type="checkbox"/>
Technical Accuracy	<input type="checkbox"/>	<input type="checkbox"/>	<input type="checkbox"/>	<input type="checkbox"/>	<input type="checkbox"/>
Fulfills Needs	<input type="checkbox"/>	<input type="checkbox"/>	<input type="checkbox"/>	<input type="checkbox"/>	<input type="checkbox"/>
Organization	<input type="checkbox"/>	<input type="checkbox"/>	<input type="checkbox"/>	<input type="checkbox"/>	<input type="checkbox"/>
Presentation (format)	<input type="checkbox"/>	<input type="checkbox"/>	<input type="checkbox"/>	<input type="checkbox"/>	<input type="checkbox"/>
Depth of Coverage	<input type="checkbox"/>	<input type="checkbox"/>	<input type="checkbox"/>	<input type="checkbox"/>	<input type="checkbox"/>
Overall Quality	<input type="checkbox"/>	<input type="checkbox"/>	<input type="checkbox"/>	<input type="checkbox"/>	<input type="checkbox"/>

NAME _____ DATE _____

TITLE _____

COMPANY NAME/DEPARTMENT _____

ADDRESS _____

CITY _____ STATE _____ ZIP _____

Do you require a response? Yes No PHONE _____

Comments: _____

Please return this to:

In U.S.A.

(Including Canada and South America):

National Semiconductor Corporation
2900 Semiconductor Drive
P.O. Box 58090
Santa Clara, CA 95052-8090
Attn: Technical Publications, M/S E215

In South East Asia

(Including Australia, New Zealand and India):

National Semiconductor H.K. Ltd.
15th Floor, Straight Block
Ocean Centre
5 Canton Road
Tsim Sha Tsui East
Kowloon, Hong Kong
Attn: Business Center Marketing

In Europe

(Including Israel):

National Semiconductor GmbH
Livry-Garge-Str. #10
D-82256 Fuerstenfeldbruck
Germany
Attn: Business Center Marketing

In Japan

National Semiconductor Japan Ltd.
Sumitomo Chemical Engineering Building, 7F
1-7-1, Naskase, Mihama-Ku
Chiba-City, Ciba Prefecture 261
Japan
Attn: Business Center Marketing

(fold)

Place
Stamp
Here



National Semiconductor

